

FEELED
WoodLite Slim
 Perfect for design lights in homes or offices
 Green Lighting, Long Life



- Pendant style suitable for office, residence, restaurant
- Harmonized with furniture or interior designs
- High CRI Value Achieved
- Using DC 24V Driver

Various color



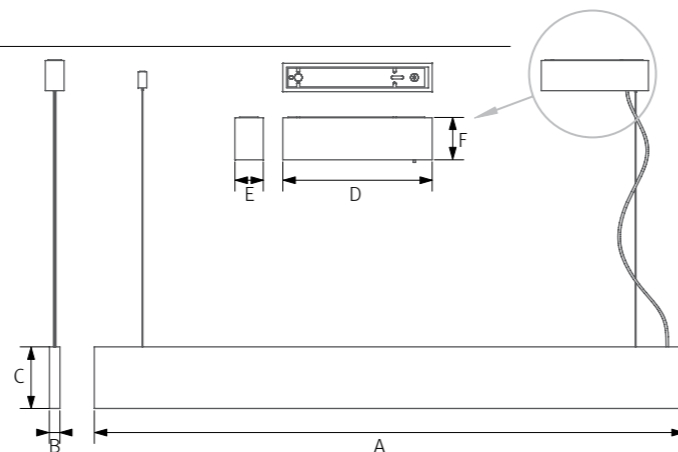


Specification

Model Name	Power Input	Lamp Power	Luminous Flux	Efficiency	Color Rendering	Available Color	Operating Temperature
WoodLite Slim NDP15 30K-24V	DC24V	15W	1,275 lm	85 lm/W	Ra > 90	2,700K/3,000K/3,500K/4,000K/6,000K	0~45°C
WoodLite Slim HDP24 30K-24V	DC24V	24W	2,040 lm	85 lm/W	Ra > 90	2,700K/3,000K/3,500K/4,000K/6,000K	0~45°C

Dimension

Model Name	Power Input (V)	Lamp Power (W)	A (mm)	B (mm)	C (mm)	D (mm)	E (mm)	F (mm)
WoodLite Slim NDP15 30K-24V	DC 24	15	1200	19.5	115	202	36	56.3
WoodLite Slim HDP24 30K-24V	DC 24	24	1200	24	115	243.5	44.7	52.3



Installation

[Overall Structure]

[Lighting Power Cable Assembling]

* Check if you want to modify length of power cable

- Remove converter's cover
- Check +/-, then connect power cable & reassemble converter's cover (make sure you check +/-)

step.1

Remove converter's cover
 ① Attach with a screw on ceiling
 ② Attach wire fixture as turning
 ③ Insert metal wire

step.2

- Drill a hole on ceiling for power cable
- Assemble & fix converter's mounting (double screws)
- Attach power cable on the converter
- Fix housing with converter's housing, screw, and wire fixture
- Insert metal wire

step.3

Power cable
Metal wire
Metal wire
Combine them with O-Ring
Power cable

Use O-Ring to combine power cable & metal wire smoothly

Accessories

Ⓐ LED converter

Part NO	FLC15-24V/T	FLC30-24V/T
Capacity	24V/15W	24V/30W



Ⓑ Converter Housing



Ⓒ Power Wire (1.8M)



Ⓓ Wire (1.5M)



Ⓔ Wire fixture

