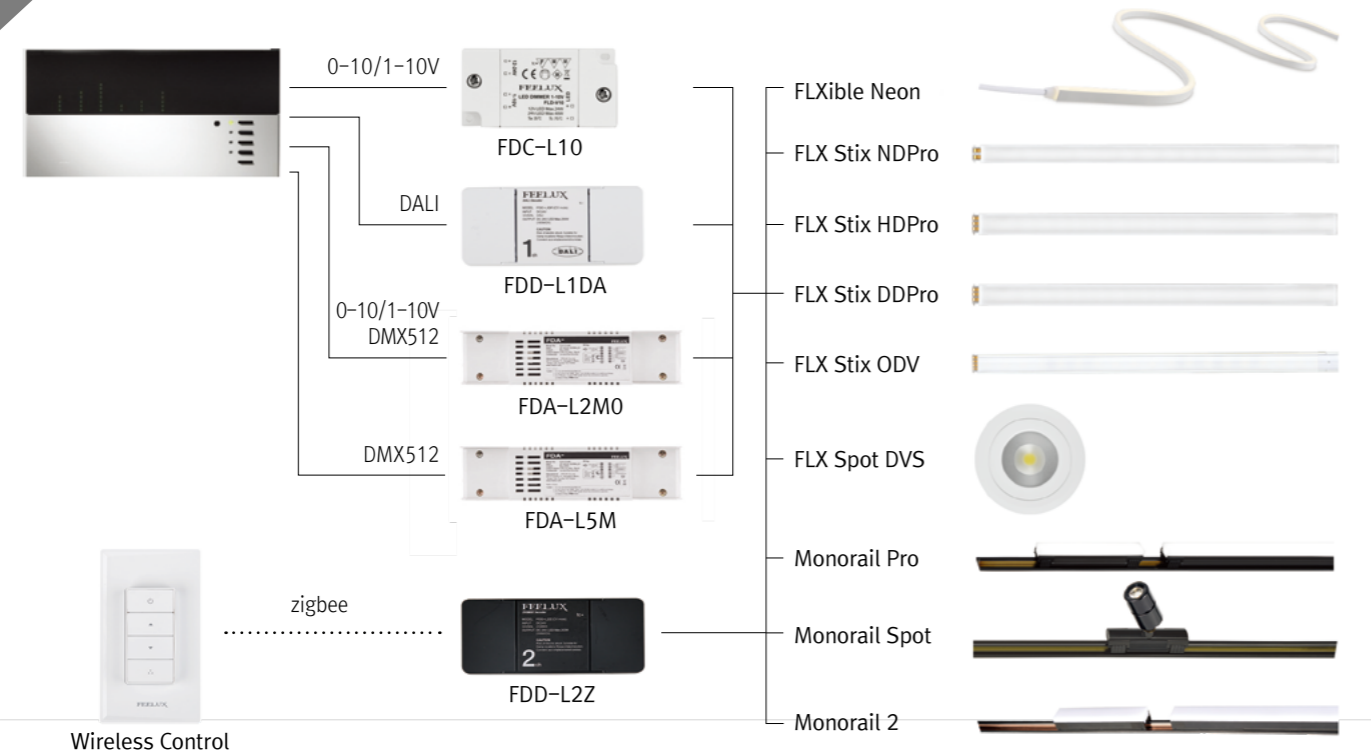


Other system Interface-DC Type



FDD-L1DA (DALI to PWM translator)



Specification	Channel 1CH	Size W108 X H20 X D47 (mm)
	Input Signal DALI	Rated Input DC 24V
	Output Signal PWM	
	Output Load DC 24V LED Max. 200W (100W/CH)	
Wiring		

FDC-L10 (0-10V/1-10V to PWM translator)



Specification	Channel 1CH	Size W78 X H40 X D16 (mm)
	Input Signal DC 0-10V, DC 1-10V	Rated Input DC 24V
	Output Signal PWM	
	Output Load DC 24V LED Max. 100W	
Wiring		

FDA-L2M0 (DMX512/0-10V/1-10V to PWM translator)



Specification	Channel 2CH	Size W200 X H50 X D35 (mm)
	Input Signal DMX512, DC 0-10V/1-10V	Rated Input DC 24V
	Output Signal PWM	
	Output Load DC 24V LED Max.200W(100W/CH)	
Wiring		

FDA-L5M (DMX512 to PWM translator)



Specification	Channel 5CH	Size W200 X H50 X D35 (mm)
	Input Signal DMX512	Rated Input DC 24V
	Output Signal PWM	
	Output Load DC 24V LED Max.250W(50W/CH)	
Wiring		

WIRELESS CONTROL

FSM-Z1 (ZIGBEE Switch)



Specification	Rated Input DC 3V(CR2032 Battery)
	Size W120 X H14.5 X D70 (mm)
	Output Signal ZIGBEE

FDD-L2Z (ZIGBEE Interface)



Specification	Model no	FDD-L2Z
	Input Voltage	DC 24V
	Output load	DC 24V LED Max.200W (100W/CH)
	Input Signal	ZIGBEE
	Channel	2CH
	Size	W108 X H20 X D47 (mm)