

FLT Track System

Magnetic Low voltage Track System

High Quality, Low Voltage
Slim-Profile Magnetic Track System



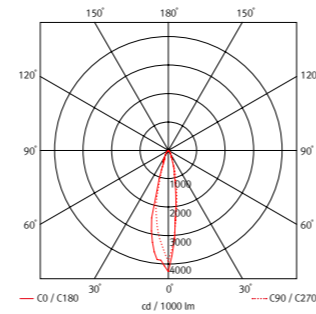
- Magnetic system for easy installation and adjustment
- Safe Low Voltage 24V DC
- Surface, Recessed and Pendant mount track available
- Black and White Finishes
- Various light fixtures and beam angle



FLT Track System - Spot



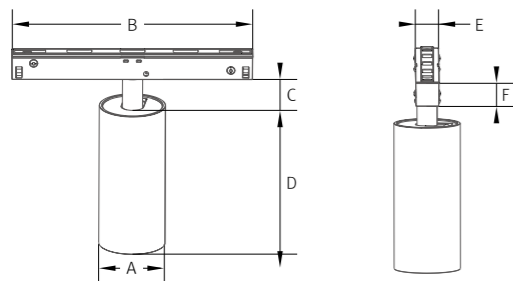
Photometric data



Specification

| Model Name | Power Input | Lamp Power | Lumens (3000K) | Efficiency (3000K) | Color Rendering | Available color | Beam Angle | Operating Temperature |
|------------------|-------------|------------|----------------|--------------------|-----------------|----------------------|-------------|-----------------------|
| FLT-SS06 30K-24V | DC 24V | 5.1 W | 362 lm | 74.5 lm/W | Ra >90 | 3,000K/4,000K/5,700K | 15°/24°/36° | 0~45°C |

Dimension

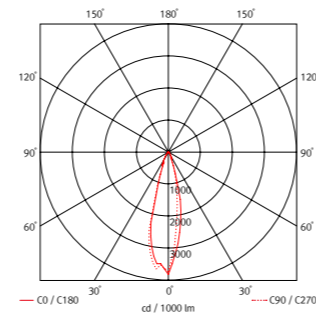


| Model Name | A (mm) | B (mm) | C (mm) | D (mm) | E (mm) | F (mm) |
|------------------|--------|--------|--------|--------|--------|--------|
| FLT-SS06 30K-24V | 46 | 167 | 16 | 102 | 16 | 18 |

| Beam angle | Black | White |
|------------|------------------------|------------------------|
| 15° | FLT-SS06 30K-24V-BK-15 | FLT-SS06 30K-24V-WT-15 |
| 24° | FLT-SS06 30K-24V-BK-24 | FLT-SS06 30K-24V-WT-24 |
| 36° | FLT-SS06 30K-24V-BK-36 | FLT-SS06 30K-24V-WT-36 |



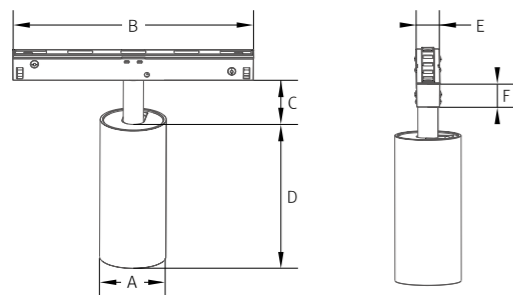
Photometric data



Specification

| Model Name | Power Input | Lamp Power | Lumens (3500K) | Efficiency (3500K) | Color Rendering | Available color | Beam Angle | Operating Temperature |
|------------------|-------------|------------|----------------|--------------------|-----------------|-----------------------------|-------------|-----------------------|
| FLT-SS09 35K-24V | DC 24V | 8.9 W | 783 lm | 88.5 lm/W | Ra >90 | 3,000K/3,500K/4,000K/5,700K | 15°/24°/36° | 0~45°C |

Dimension

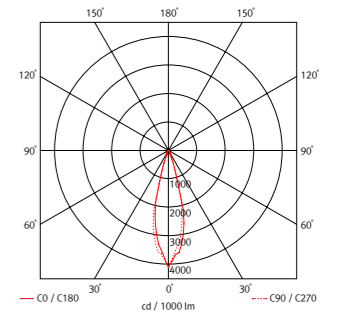


| Model Name | A (mm) | B (mm) | C (mm) | D (mm) | E (mm) | F (mm) |
|------------------|--------|--------|--------|--------|--------|--------|
| FLT-SS09 35K-24V | 46 | 167 | 33 | 102 | 16 | 18 |

| Beam angle | Black | White |
|------------|------------------------|------------------------|
| 15° | FLT-SS09 35K-24V-BK-15 | FLT-SS09 35K-24V-WT-15 |
| 24° | FLT-SS09 35K-24V-BK-24 | FLT-SS09 35K-24V-WT-24 |
| 36° | FLT-SS09 35K-24V-BK-36 | FLT-SS09 35K-24V-WT-36 |



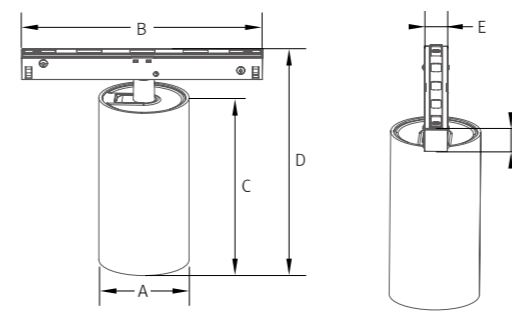
Photometric data



Specification

| Model Name | Power Input | Lamp Power | Lumens (3000K) | Efficiency (3000K) | Color Rendering | Available color | Beam Angle | Operating Temperature |
|------------------|-------------|------------|----------------|--------------------|-----------------|----------------------|-------------|-----------------------|
| FLT-SS20 30K-24V | DC 24V | 19 W | 1,368 lm | 74.9 lm/W | Ra >90 | 3,000K/4,000K/5,700K | 15°/24°/36° | 0~45°C |

Dimension

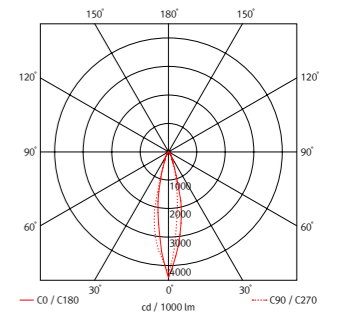


| Model Name | A (mm) | B (mm) | C (mm) | D (mm) | E (mm) | F (mm) |
|------------------|--------|--------|--------|--------|--------|--------|
| FLT-SS20 30K-24V | 62.5 | 167 | 120 | 154 | 16 | 18 |

| Beam angle | Black | White |
|------------|------------------------|------------------------|
| 15° | FLT-SS20 30K-24V-BK-15 | FLT-SS20 30K-24V-WT-15 |
| 24° | FLT-SS20 30K-24V-BK-24 | FLT-SS20 30K-24V-WT-24 |
| 36° | FLT-SS20 30K-24V-BK-36 | FLT-SS20 30K-24V-WT-36 |



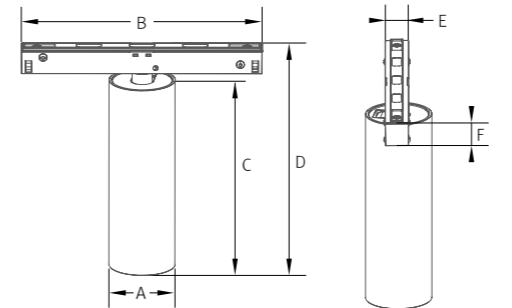
Photometric data



Specification

| Model Name | Power Input | Lamp Power | Lumens (3000K) | Efficiency (3000K) | Color Rendering | Available color | Beam Angle | Operating Temperature |
|------------------|-------------|------------|----------------|--------------------|-----------------|----------------------|-------------|-----------------------|
| FLT-SL06 30K-24V | DC 24V | 5.2 W | 361 lm | 69.5 lm/W | Ra >90 | 3,000K/4,000K/5,700K | 15°/24°/36° | 0~45°C |

Dimension



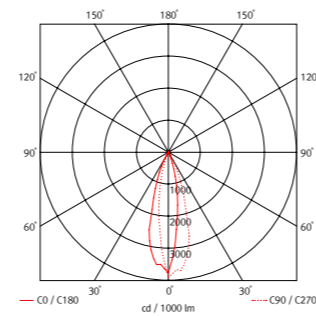
| Model Name | A (mm) | B (mm) | C (mm) | D (mm) | E (mm) | F (mm) |
|------------------|--------|--------|--------|--------|--------|--------|
| FLT-SL06 30K-24V | 46 | 167 | 200 | 226 | 16 | 18 |

| Beam angle | Black | White |
|------------|------------------------|------------------------|
| 15° | FLT-SL06 30K-24V-BK-15 | FLT-SL06 30K-24V-WT-15 |
| 24° | FLT-SL06 30K-24V-BK-24 | FLT-SL06 30K-24V-WT-24 |
| 36° | FLT-SL06 30K-24V-BK-36 | FLT-SL06 30K-24V-WT-36 |



FLT-SM02

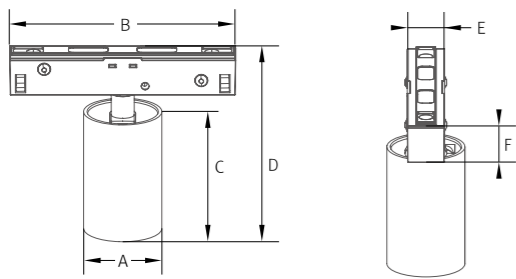
Photometric data



Specification

| Model Name | Power Input | Lamp Power | Lumens (3000K) | Efficiency (3000K) | Color Rendering | Available color | Beam Angle | Operating Temperature |
|------------------|-------------|------------|----------------|--------------------|-----------------|----------------------|------------|-----------------------|
| FLT-SM02 30K-24V | DC 24V | 1.7 W | 98 lm | 58.6 lm/W | Ra >90 | 3,000K/4,000K/5,700K | 24° / 36° | 0 ~ 45°C |

Dimension



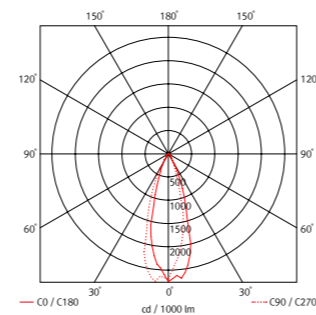
| Model Name | A (mm) | B (mm) | C (mm) | D (mm) | E (mm) | F (mm) |
|------------------|--------|--------|--------|--------|--------|--------|
| FLT-SM02 30K-24V | 34 | 98 | 56.5 | 85 | 16 | 16 |

| Beam angle | Black | White |
|------------|------------------------|------------------------|
| 24° | FLT-SM02 30K-24V-BK-24 | FLT-SM02 30K-24V-WT-24 |
| 36° | FLT-SM02 30K-24V-BK-36 | FLT-SM02 30K-24V-WT-36 |



FLT-SM12

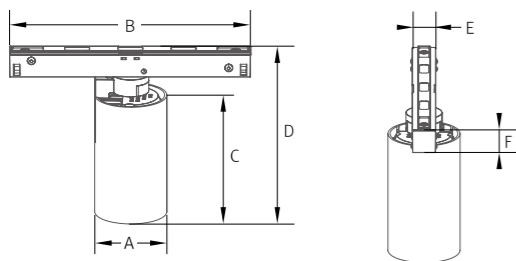
Photometric data



Specification

| Model Name | Power Input | Lamp Power | Lumens (3000K) | Efficiency (3000K) | Color Rendering | Available color | Beam Angle | Operating Temperature |
|------------------|-------------|------------|----------------|--------------------|-----------------|----------------------|------------|-----------------------|
| FLT-SM12 30K-24V | DC 24V | 10.2 W | 763 lm | 74.5 lm/W | Ra >90 | 3,000K/4,000K/5,700K | 24° / 36° | 0 ~ 45°C |

Dimension



| Model Name | A (mm) | B (mm) | C (mm) | D (mm) | E (mm) | F (mm) |
|------------------|--------|--------|--------|--------|--------|--------|
| FLT-SM12 40K-24V | 50 | 167 | 86 | 120 | 16 | 18 |

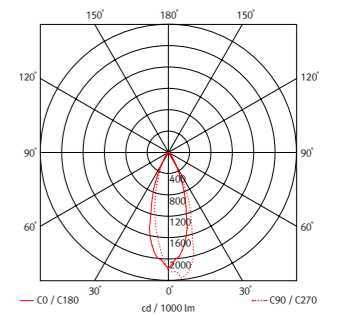
| Beam angle | Black | White |
|------------|------------------------|------------------------|
| 24° | FLT-SM12 30K-24V-BK-24 | FLT-SM12 30K-24V-WT-24 |
| 36° | FLT-SM12 30K-24V-BK-36 | FLT-SM12 30K-24V-WT-36 |

FLT Track System - Stix



FLT-LS15

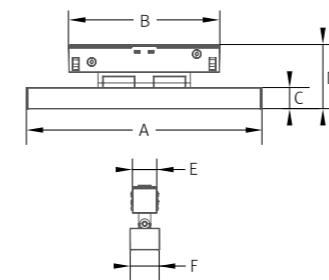
Photometric data



Specification

| Model Name | Power Input | Lamp Power | Lumens (3000K) | Efficiency (3000K) | Color Rendering | Available color | Operating Temperature |
|------------------|-------------|------------|----------------|--------------------|-----------------|----------------------|-----------------------|
| FLT-LS15 30K-24V | DC 24V | 5.9 W | 497 lm | 84.2 lm/W | Ra >90 | 3,000K/4,000K/5,700K | 0 ~ 45°C |

Dimension

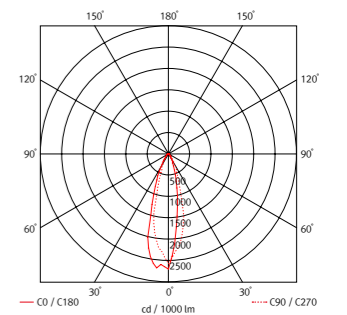


| Model Name | A (mm) | B (mm) | C (mm) | D (mm) | E (mm) | F (mm) |
|------------------|--------|--------|--------|--------|--------|--------|
| FLT-LS15 30K-24V | 153 | 98.5 | 14 | 42.2 | 16.2 | 19.5 |



FLT-LS30

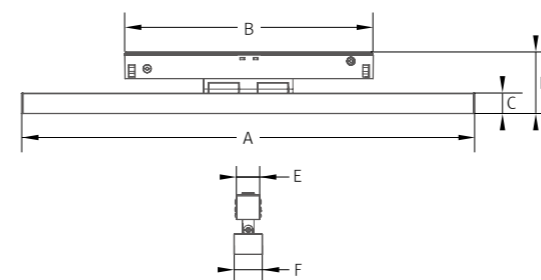
Photometric data



Specification

| Model Name | Power Input | Lamp Power | Lumens (3000K) | Efficiency (3000K) | Color Rendering | Available color | Operating Temperature |
|------------------|-------------|------------|----------------|--------------------|-----------------|----------------------|-----------------------|
| FLT-LS30 30K-24V | DC 24V | 11.5 W | 941lm | 81.8 lm/W | Ra >90 | 3,000K/4,000K/5,700K | 0 ~ 45°C |

Dimension

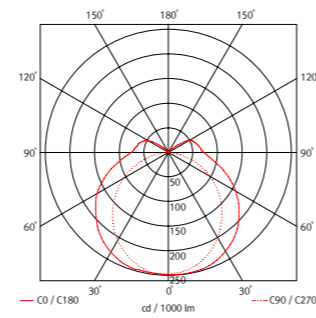


| Model Name | A (mm) | B (mm) | C (mm) | D (mm) | E (mm) | F (mm) |
|------------------|--------|--------|--------|--------|--------|--------|
| FLT-LS30 30K-24V | 304 | 167 | 14 | 42 | 16 | 19.5 |



FLT-LM30

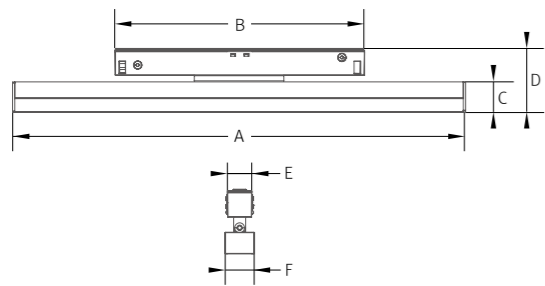
Photometric data



Specification

| Model Name | Power Input | Lamp Power | Lumens (3000K) | Efficiency (3000K) | Color Rendering | Available color | Operating Temperature |
|------------------|-------------|------------|----------------|--------------------|-----------------|----------------------|-----------------------|
| FLT-LM30 30K-24V | DC 24V | 8.6 W | 556 lm | 65.1 lm/W | Ra >90 | 3,000K/4,000K/5,700K | 0 ~ 45°C |

Dimension



| Model Name | A (mm) | B (mm) | C (mm) | D (mm) | E (mm) | F (mm) |
|------------------|--------|--------|--------|--------|--------|--------|
| FLT-LM30 30K-24V | 303 | 167 | 20.5 | 43 | 16 | 20.5 |

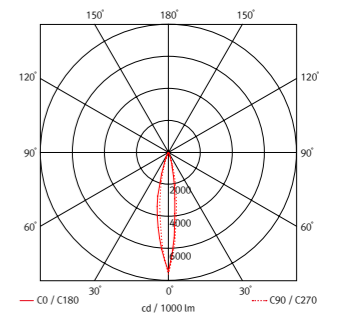


FLT Track System - Pendant



FLT-SP20

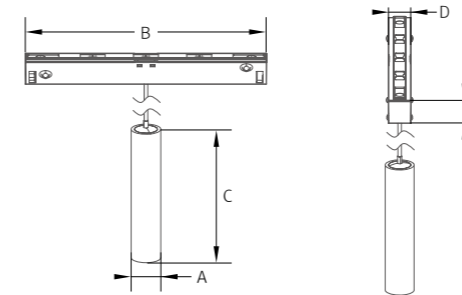
Photometric data



Specification

| Model Name | Power Input | Lamp Power | Lumens (3000K) | Efficiency (3000K) | Color Rendering | Available color | Beam Angle | Operating Temperature |
|------------------|-------------|------------|----------------|--------------------|-----------------|----------------------|------------|-----------------------|
| FLT-SP20 30K-24V | DC 24V | 1.7 W | 89 lm | 53.2 lm/W | Ra >90 | 3,000K/4,000K/5,700K | 20° | 0 ~ 45°C |

Dimension



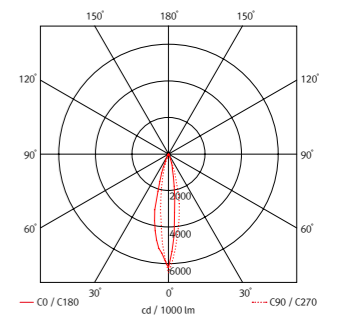
| Model Name | A (mm) | B (mm) | C (mm) | D (mm) | E (mm) |
|------------------|--------|--------|--------|--------|--------|
| FLT-SP20 30K-24V | 20.5 | 167 | 200 | 16 | 18 |

| Beam angle | Black | White |
|------------|------------------------|------------------------|
| 20° | FLT-SP20 30K-24V-BK-20 | FLT-SP20 30K-24V-WT-20 |



FLT-SP30

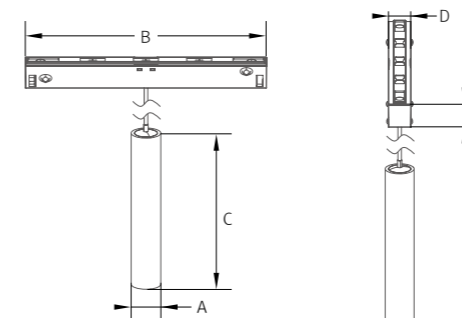
Photometric data



Specification

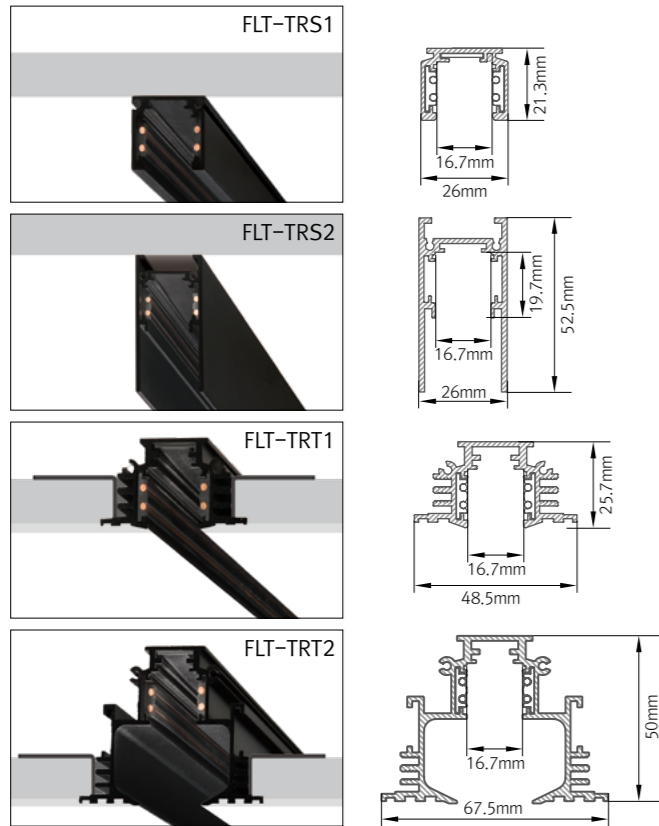
| Model Name | Power Input | Lamp Power | Lumens (3000K) | Efficiency (3000K) | Color Rendering | Available color | Beam Angle | Operating Temperature |
|------------------|-------------|------------|----------------|--------------------|-----------------|----------------------|------------|-----------------------|
| FLT-SP30 30K-24V | DC 24V | 2.8 W | 81 lm | 28.7 lm/W | Ra >90 | 3,000K/4,000K/5,700K | 20° | 0 ~ 45°C |

Dimension



| Model Name | A (mm) | B (mm) | C (mm) | D (mm) | E (mm) |
|------------------|--------|--------|--------|--------|--------|
| FLT-SP30 30K-24V | 20.5 | 167 | 300 | 16 | 18 |

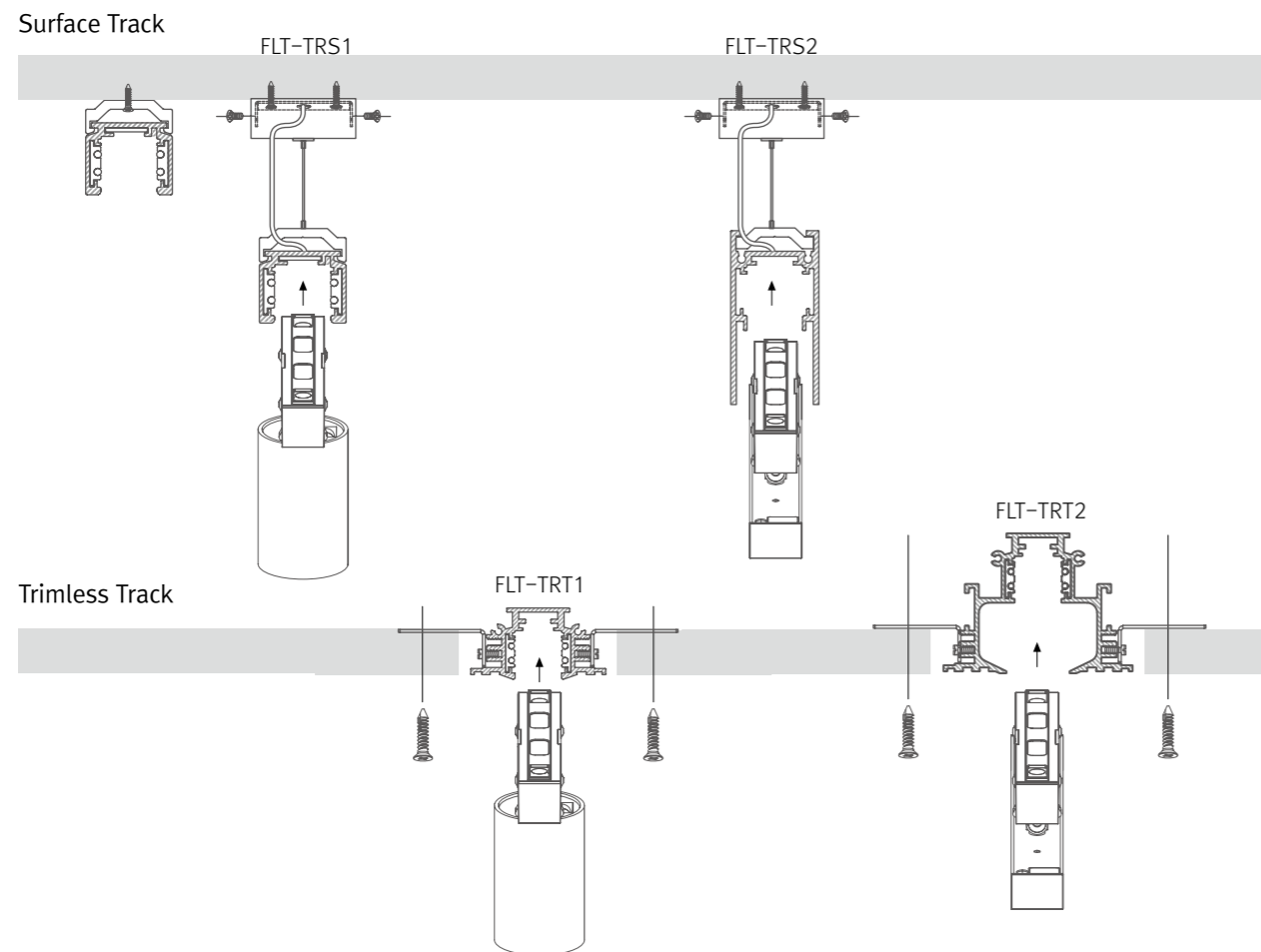
| Beam angle | Black | White |
|------------|------------------------|------------------------|
| 20° | FLT-SP30 30K-24V-BK-20 | FLT-SP30 30K-24V-WT-20 |



* Compatible fixtures

| Fixture | FLT Track | | | |
|----------|-----------|----------|----------|----------|
| | FLT-TRS1 | FLT-TRS2 | FLT-TRT1 | FLT-TRT2 |
| FLT-SS06 | ○ | | ○ | |
| FLT-SS09 | ○ | ○ | ○ | ○ |
| FLT-SS20 | ○ | | ○ | |
| FLT-SL06 | ○ | | ○ | |
| FLT-SM02 | ○ | | ○ | |
| FLT-SM12 | ○ | | ○ | |
| FLT-LS15 | ○ | ○ | ○ | ○ |
| FLT-LS30 | ○ | ○ | ○ | ○ |
| FLT-LM30 | ○ | ○ | ○ | ○ |
| FLT-SP20 | ○ | ○ | ○ | ○ |
| FLT-SP30 | ○ | ○ | ○ | ○ |

Installation



Accessories

- a) FLTOPC**
Power Connector for FLT
- b) FLTCPL**
Direct Connector for FLT Track
- c) FLT-SK-BRACKET**
Suspension Bracket for TRS2
- d) FLT-SK-POWER**
Suspension Power Kit for TRS2
- e) FLT-TRT1-HOLDER**
Holder for TRT1 Track
Holder to hold the track when installing
- f) FLT-TRT2-HOLDER**
Holder for TRT2 Track
Holder to hold the track when installing
- g) FLT-TRS1-JOINT**
Joint Bracket for TRS1
Between track to track bracket
- h) FLT-TRS2-JOINT**
Joint Bracket for TRS2
Between track to track bracket
- i) FLT-TRT-JOINT**
Joint Bracket for TRT1,2
Between track to track bracket
- l) FLT-TRT-WING**
TRT WING for Trimless Track
- k) LED Driver with 12way distributor, with power cord (1,800mm)**
Part No | FLC30-24V/T | FLC75-24V-P/T
Capacity | 30W 24V | 75W 24V
- l) LED Driver : FLC200-24V/T (200W DC24V)**
LED Driver With 12way distributor
- m) Dimming Interface (1-10V) : FDC-L10**
Max. 100W (100W/CH, 1CH)
- n) Dimming Interface (0-10V/1-10, DMX512)**
FDA-L2M0 : Max. 200W (100W/CH, 2CH)
FDA-L5M : Max. 200W (50W/CH, 5CH)
- o) Dimming Interface (Dali) : FDD-L1DA**
Max. 200W (100W/CH, 1CH)

