

FLX Stix NDPro

LED for Display, Cabinet, Furniture & Cove

Linear perfection with NDPro



- Super Slim linear LED with spot free output
- Quick connection system
- Perfected with color consistency
- No dark spot at the linkage point for seamless effect
- Various mounting methods including magnetic
- Dimmable with available accessories

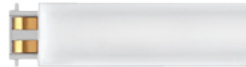


CONDÉ NAST
INTERNATIONAL LUXURY CONFERENCE
FUTURE LUXURY
2016
VENDOME
in partnership with
SWAROVSKI





FLX Stix NDPro
Standard Output



FLX Stix NDPro .5W length (38 mm)



FLX Stix NDPro 1W length (100 mm)



FLX Stix NDPro 3W length (193 mm)



FLX Stix NDPro 4W length (285 mm)



FLX Stix NDPro 7W length (564 mm)

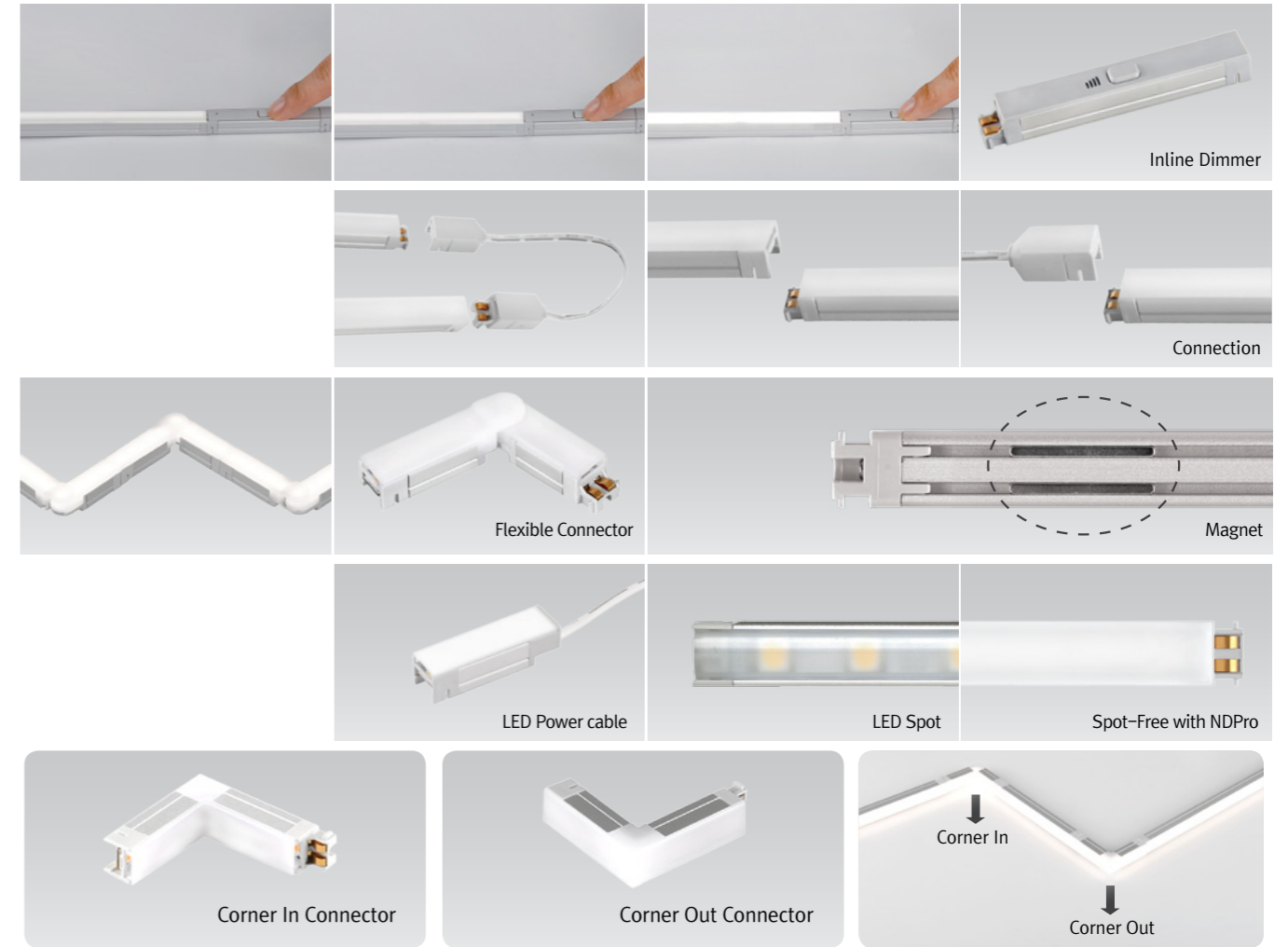


FLX Stix NDPro 11W length (843 mm)

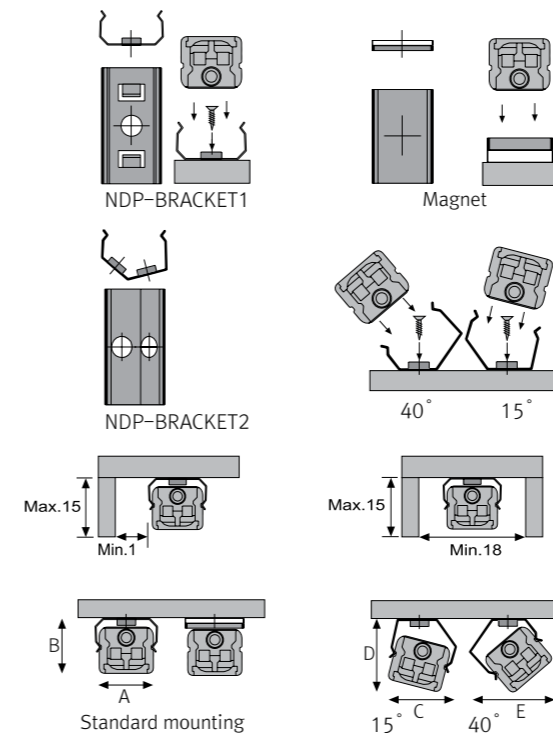


FLX Stix NDPro 15W length (1,122 mm)

Various options



Installation



Max. connection

- 55W in one row(single power feed)
- LED Driver

LED Driver Model Name	Max. units for LED Driver			
	24V/15W	24V/30W	24V/75W	24V/200W
NDP1 40K-24V-C90	12	25	62	160
NDP3 40K-24V-C90	5	10	25	66
NDP4 40K-24V-C90	4	7	18	50
NDP7 40K-24V-C90	2	4	10	28
NDP11 40K-24V-C90	1	2	6	18
NDP15 40K-24V-C90	1	2	5	13

- W/ Bracket

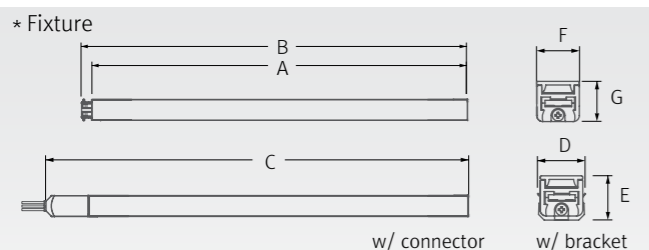
	A(mm)	B(mm)	C(mm)	D(mm)	E(mm)	F(mm)
Flat type	12	11	13.1	14.3	16	14.6

Specification

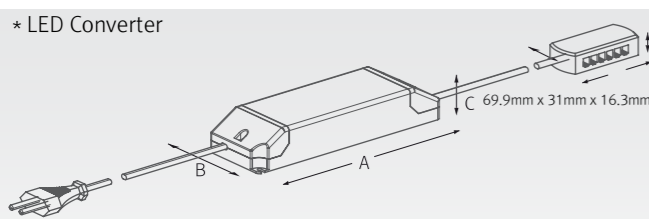
Model Name	Power Input	Lamp Power	Luminous Flux	Efficiency	Color Rendering	Available Color	Operating Temperature
NDP1 40K-24V-C90-L38	DC24V	.5W	40 lm	80 lm/W	Ra > 90	2,200K/2,500K/2,700K/3,000K/3,500K/ 4,000K/5,000K /5,700K	0-45°C
NDP1 40K-24V-C90	DC24V	1.2W	80 lm	80 lm/W	Ra > 90	2,200K/2,500K/2,700K/3,000K/3,500K/ 4,000K/5,000K /5,700K	0-45°C
NDP3 40K-24V-C90	DC24V	3W	240 lm	80 lm/W	Ra > 90	2,200K/2,500K/2,700K/3,000K/3,500K/ 4,000K/5,000K /5,700K	0-45°C
NDP4 40K-24V-C90	DC24V	4W	320 lm	80 lm/W	Ra > 90	2,200K/2,500K/2,700K/3,000K/3,500K/ 4,000K/5,000K /5,700K	0-45°C
NDP7 40K-24V-C90	DC24V	7W	560 lm	80 lm/W	Ra > 90	2,200K/2,500K/2,700K/3,000K/3,500K/ 4,000K/5,000K /5,700K	0-45°C
NDP11 40K-24V-C90	DC24V	11W	880 lm	80 lm/W	Ra > 90	2,200K/2,500K/2,700K/3,000K/3,500K/ 4,000K/5,000K /5,700K	0-45°C
NDP15 40K-24V-C90	DC24V	15W	1,200 lm	80 lm/W	Ra > 90	2,200K/2,500K/2,700K/3,000K/3,500K/ 4,000K/5,000K /5,700K	0-45°C

Dimension

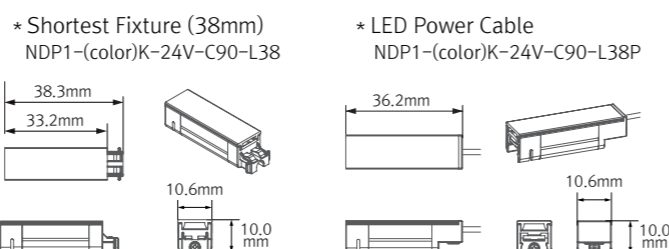
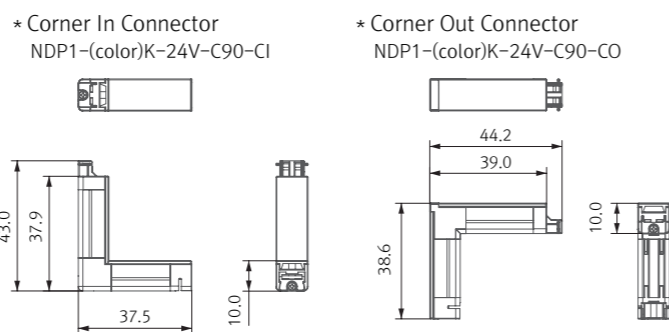
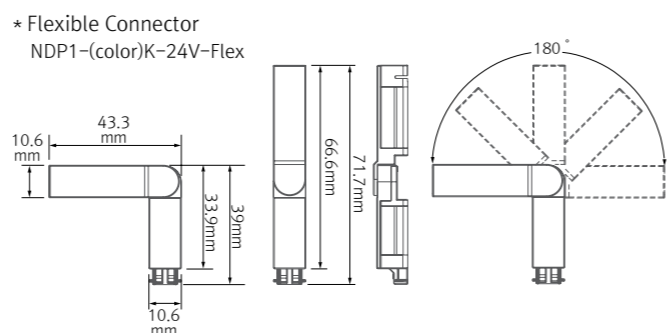
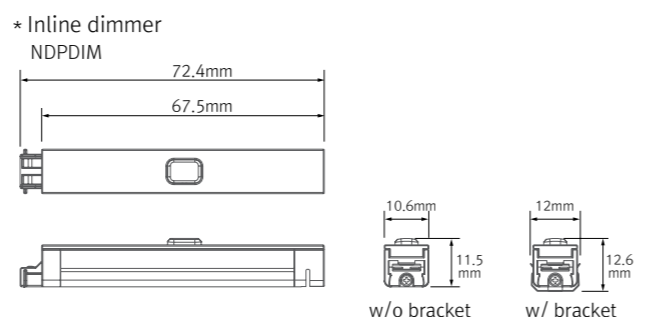
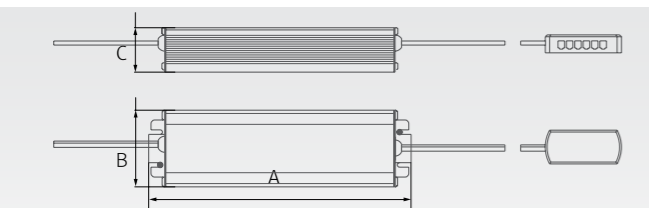
Model Name	Power Input (V)	Lamp Power (W)	A (mm)	B (mm)	C (mm)	D (mm)	E (mm)	F (mm)	G (mm)
NDP140K-24V-C90-L38	DC 24	.5	33.2	38.3	55.12	12	11	10.6	10
NDP1 40K-24V-C90	DC 24	1	94.7	99.8	116.9	12	11	10.6	10
NDP340K-24V-C90	DC 24	3	188.2	193.3	210.4	12	11	10.6	10
NDP440K-24V-C90	DC 24	4	279.2	284.3	301.4	12	11	10.6	10
NDP740K-24V-C90	DC 24	7	558.7	563.8	580.9	12	11	10.6	10
NDP1140K-24V-C90	DC 24	11	837.7	842.8	859.9	12	11	10.6	10
NDP1540K-24V-C90	DC 24	14	1,116.8	1,121.9	1,139	12	11	10.6	10



Model Name	A (mm)	B (mm)	C (mm)
FLC30-24V/T	150	41	31
FLC75-24V/T	180	60	32



Model Name	A (mm)	B (mm)	C (mm)
FLC200-24V/T	228	68	39



Accessories

Ⓐ Connecting cables (Between FLX Stix NDPro & FLX Stix NDPro)
 NDPPTC | NDPPTC1 | NDPPTC2 | NDPPTC4 | NDPPTC6
 150mm(6inch) | 300mm(1feet) | 600mm(2feet) | 1200mm(4feet) | 1800mm(6feet)

Ⓑ Power cable : NDPPC (2,500mm)
 Power cable (Between FLX Stix NDP & 12-way distributor)

Ⓒ LED Power cable : NDP1 40K-24V-C90-L38P
 Fixture (36mm)
 Power cable (2,500mm)

Ⓓ Mounting bracket : NDP-BRACKET 1
 NDP-BRACKET1(A) : 1set = 2pcs
 NDP-BRACKET1(B) : 1set = 3pcs

Ⓔ Angle bracket (15° & 40°) : NDP-BRACKET 2
 NDP-BRACKET2(A) : 1set = 2pcs
 NDP-BRACKET2(B) : 1set = 3pcs

Ⓕ Sidefeed for seamless extension (3W) : NDP3 40K-24V-S
 The dimension is the same as NDP3 40K-24V
 Powered only through cable, no power supply on the input connector

Ⓖ Flexible Connector : NDP1 40K-24V-C90-FLEX

Ⓗ Corner In Connector : NDP1 40K-24V-C90-CI

Ⓙ Corner Out Connector : NDP1 40K-24V-C90-CO

Ⓛ End cap : NDP-CAP
 Included in fixture

Ⓚ LED Driver with 12way distributor, with power cord (1800mm)

Part No	FLC15-24V/T	FLC30-24V/T	FLC75-24V/T
Capacity	15W 24V	30W 24V	75W 24V

Ⓛ LED Driver : FLC200-24V/T (200W 24V)
 LED Driver With 12way distributor

Ⓜ Dimming Interface (1-10V) : FDC-L10
 Max. 100W (100W/CH, 1CH)

Ⓝ Dimming Interface(0-10/1-10,DMX512)
 FDA-L2M0 : Max. 200W (100W/CH, 2CH)
 FDA-L5M : Max. 200W (50W/CH, 5CH)

Ⓞ Dimming Interface (Dail) : FDD-L1DA
 Max. 200W (100W/CH, 1CH)

Ⓟ Inline dimmer : NDPDIM
 Max 55W in a row

Ⓠ Door and motion detection sensor : FLS-M24V
 Voltage : DC 24V

Ⓡ Human-body detection sensor : FLS-P24V
 Voltage : DC 24V

