

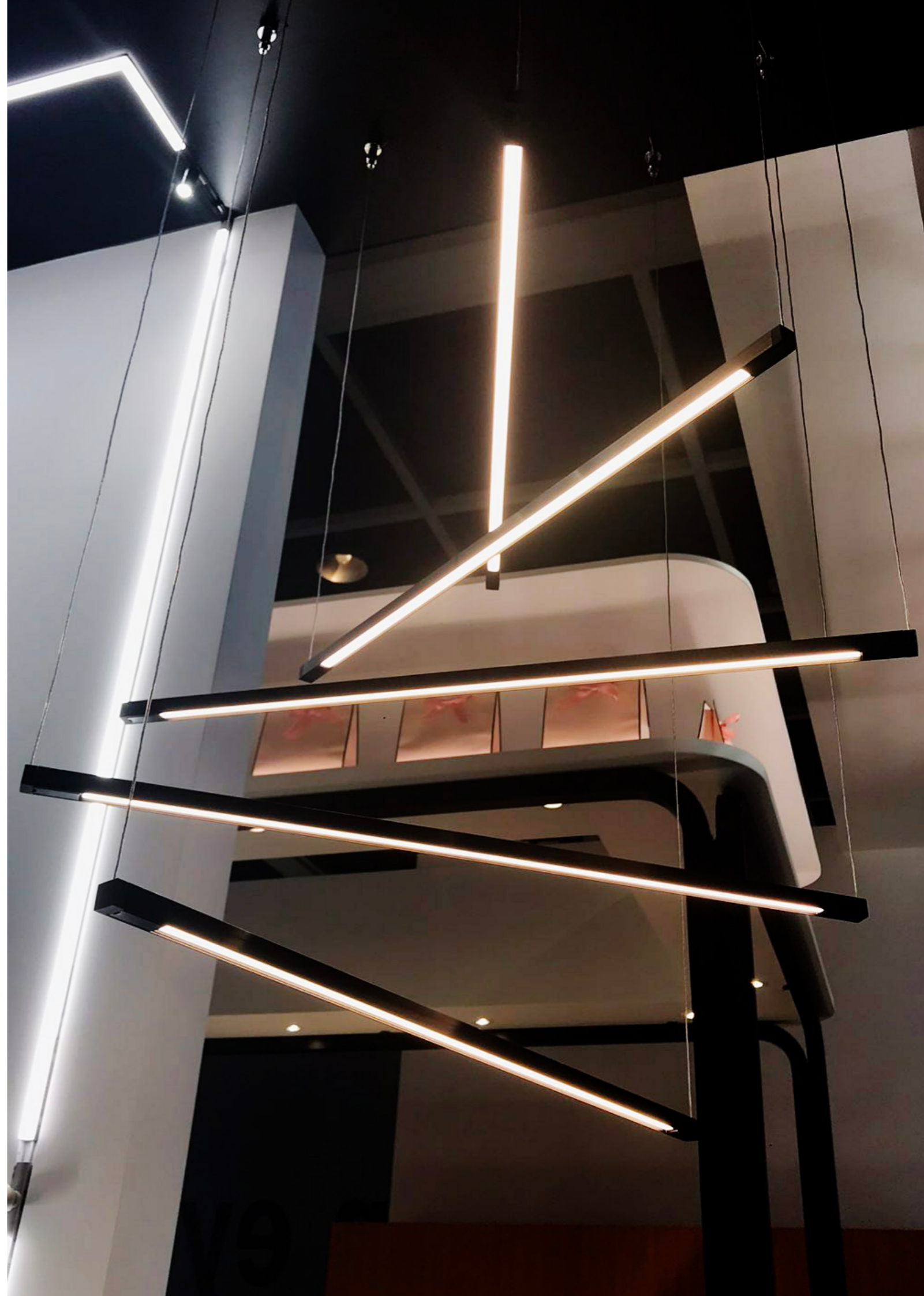
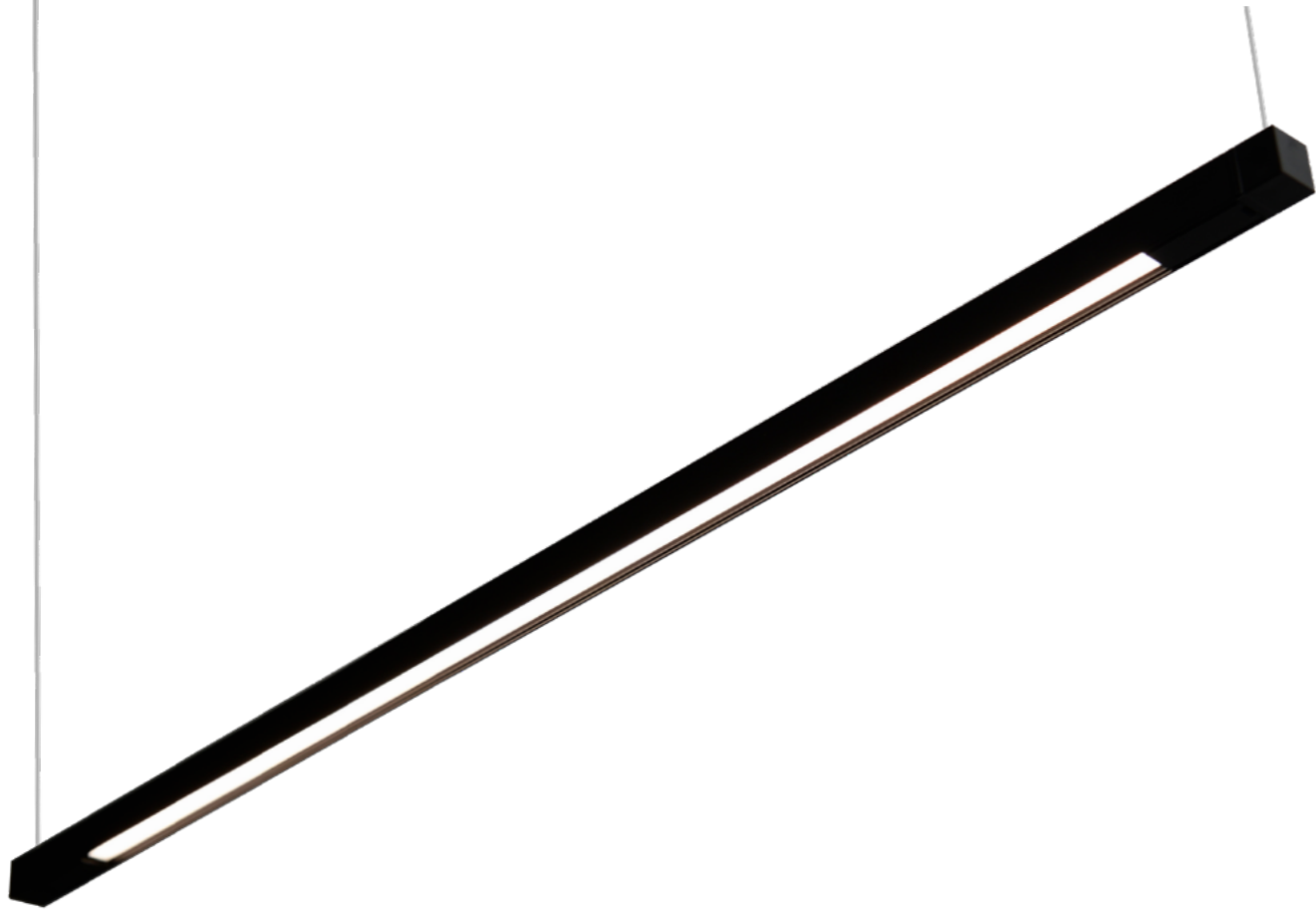
NDPro Pendant

Super Slim Suspension LED for Display

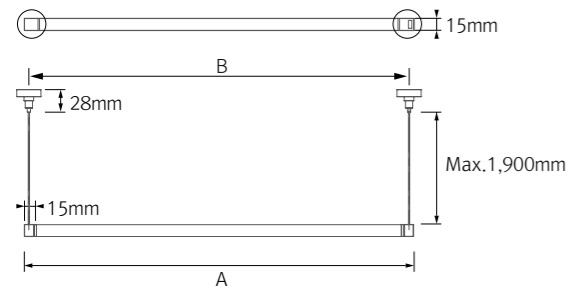
Rotatable Pendant for NDPro



- Aluminum body with rotating top bar
- Easy assembly with NDPro fixture
- Various length available
- Ideal for Suspended Application



Dimensions

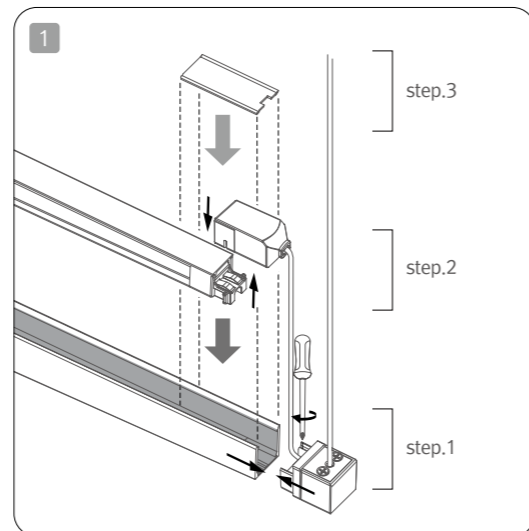
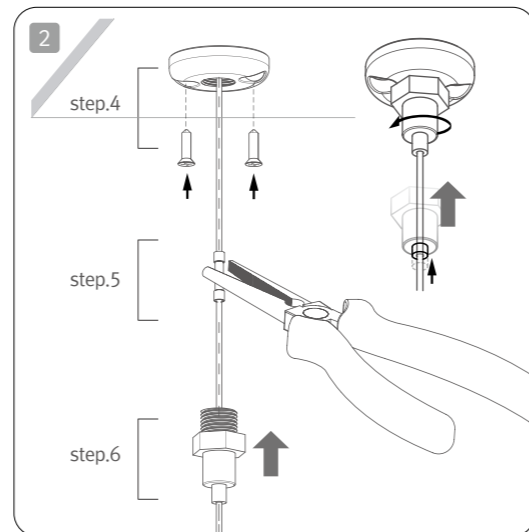
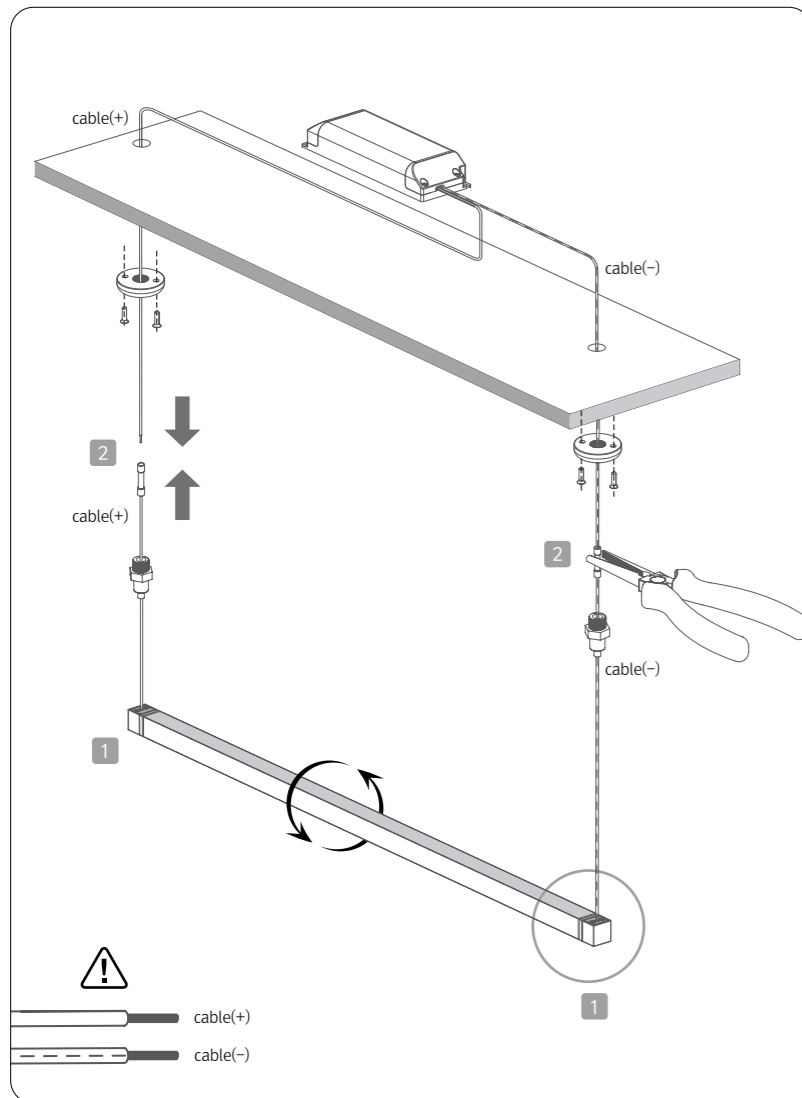


NDPro Pendant for	Lamp Power	Lumens (4000K)	A (Top Length)	B (NDPro Pendant Bracket Mounting Holes)
NDP4 40K-24V-C90	3.6 W	259 lm	384mm	369mm
NDP7 40K-24V-C90	7.1 W	515 lm	664mm	649mm
NDP11 40K-24V-C90	10.8 W	823 lm	943mm	928mm
NDP15 40K-24V-C90	14.4 W	1,032 lm	1,222mm	1,207mm

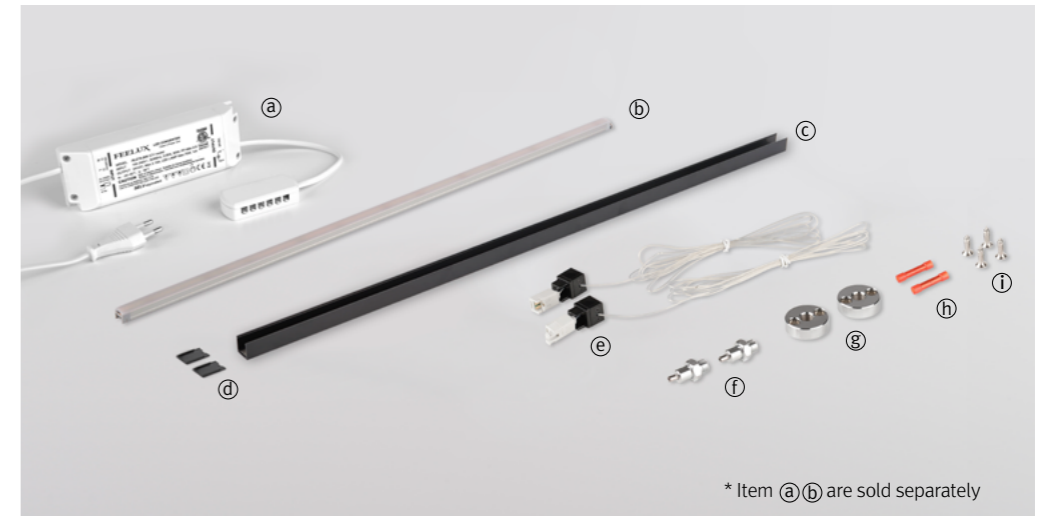
Various options



Installation



Required Accessories



- Ⓐ LED Driver
 - Ⓑ FLX Stix NDPro
 - Ⓒ Top Bar
 - Ⓓ Fix Cover
 - Ⓔ NDPro Top Bar
 - Ⓔ Wire
 - Ⓕ Wire Holder
 - Ⓖ Holder Clamp
 - Ⓗ Wire Terminals
 - Ⓘ Screw
- NDP Pendant Kit

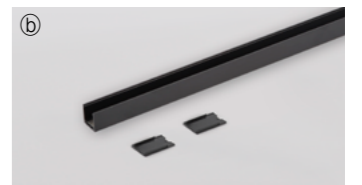
Accessories

Ⓐ NDP Pendant Kit : NDP-PD-KIT



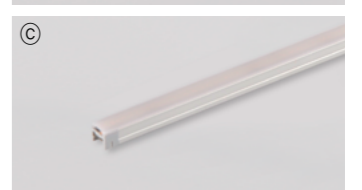
Ⓑ NDPro Top Bar

- NDP4TB
- NDP7TB
- NDP11TB
- NDP15TB



Ⓒ NDPro Fixture : NDP

- NDP4 40K-24V-C90
- NDP7 40K-24V-C90
- NDP11 40K-24V-C90
- NDP15 40K-24V-C90



Ⓓ LED Driver with 12way distributor, with power cord (1,800mm)

Part No	FLC30-24V/T	FLC75-24V-P/T
Capacity	30W 24V	75W 24V

