

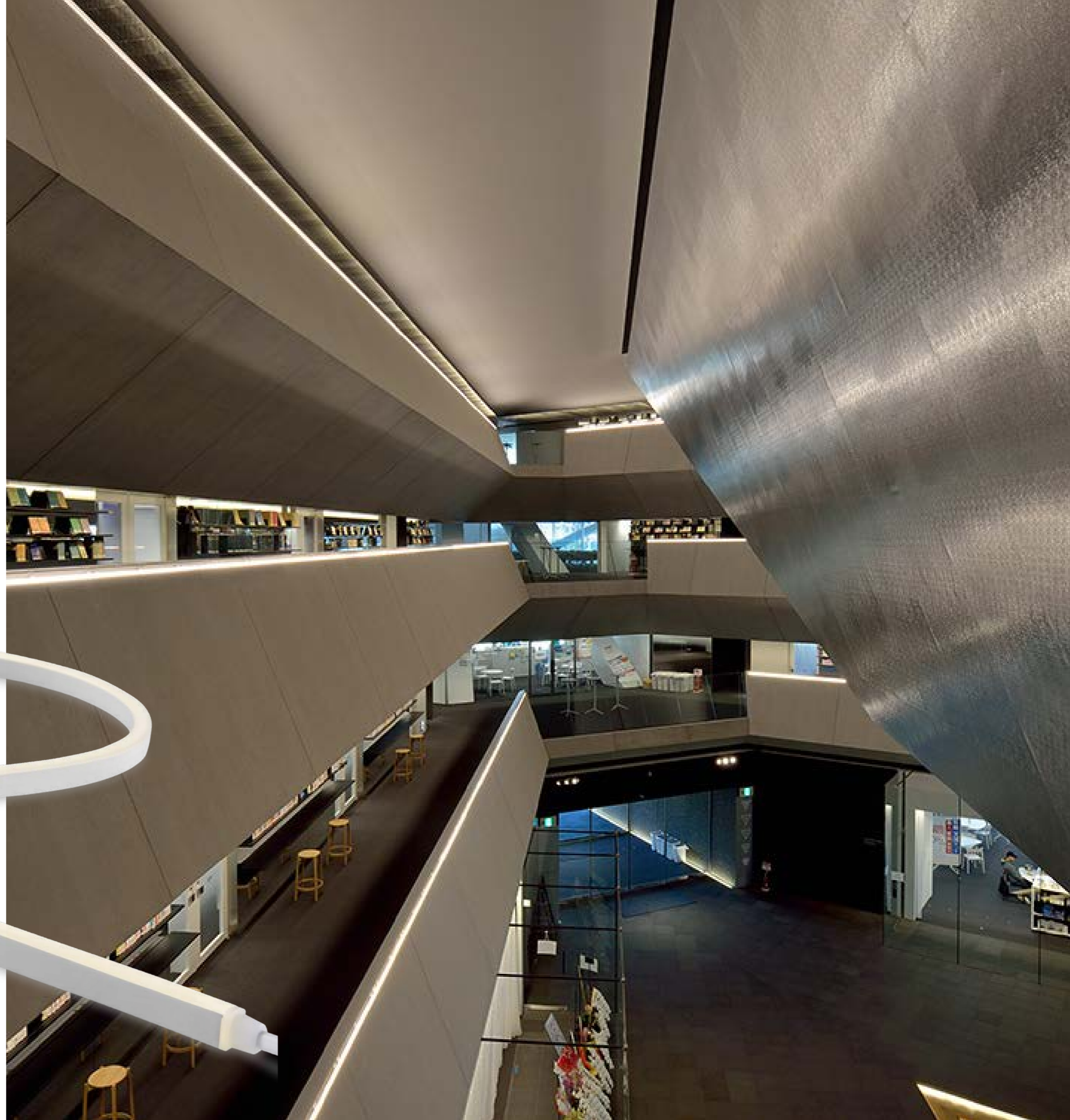
FLXible Neon 1 Dual

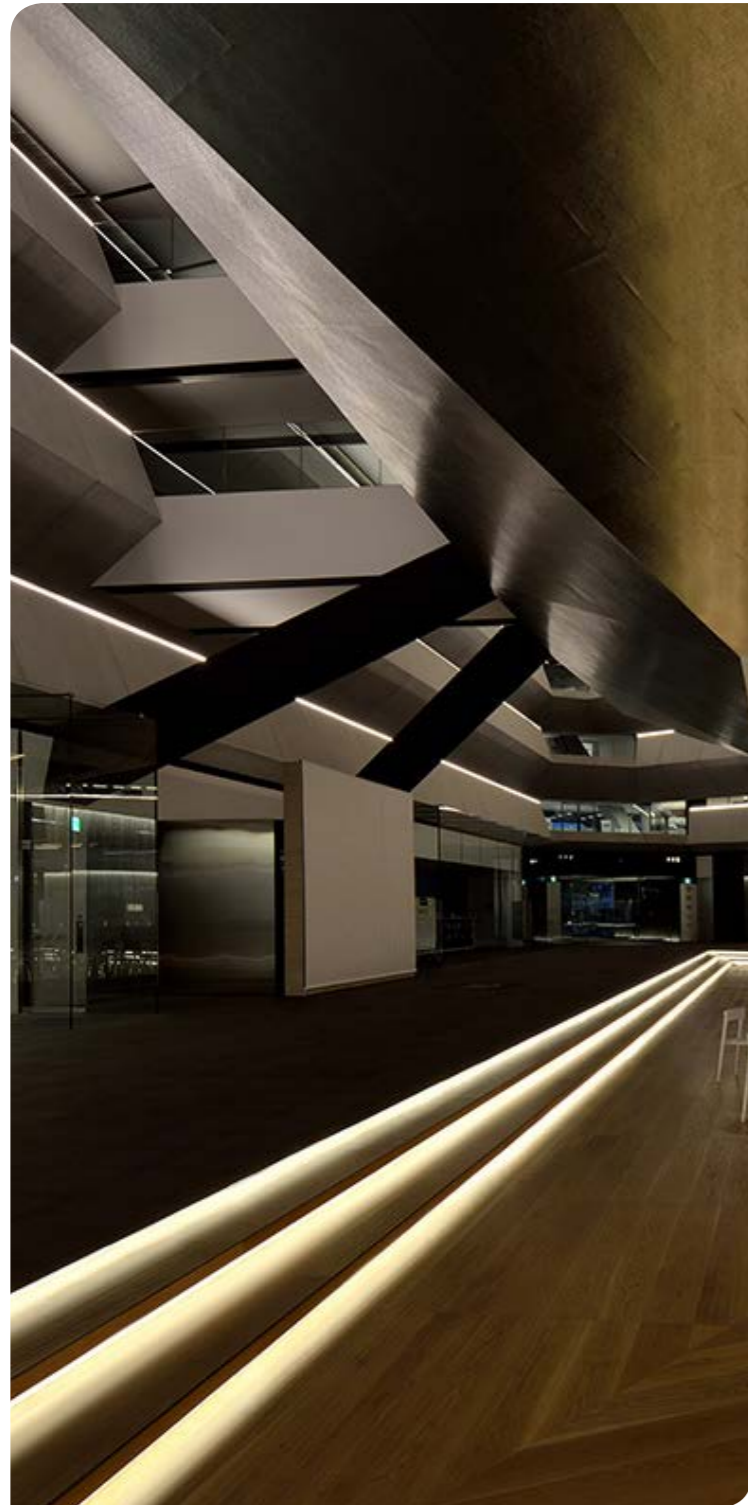
Super Slim Flexible LED With Spot-free Output

Shift your mood with flexibility



- Bend direction horizontally
- Ultra slim spot free illumination
- Dimmable with 0-10V, forward/reverse phase
- Indoor and outdoor application
- Field cuttable (38.5mm) for customized length
- Available in standard lengths of 1, 2, 3, 4, 5M reels
- Tunable white



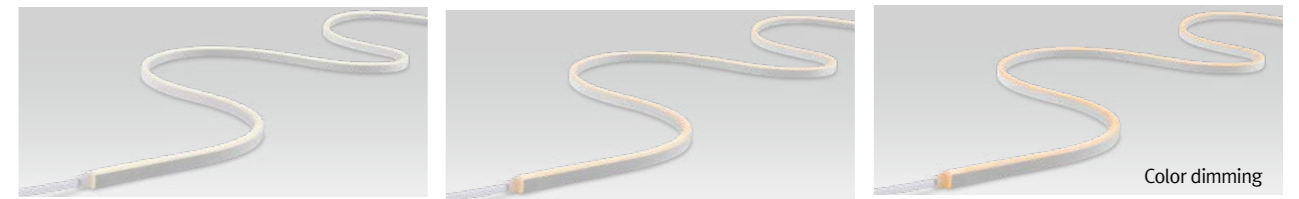


Specification

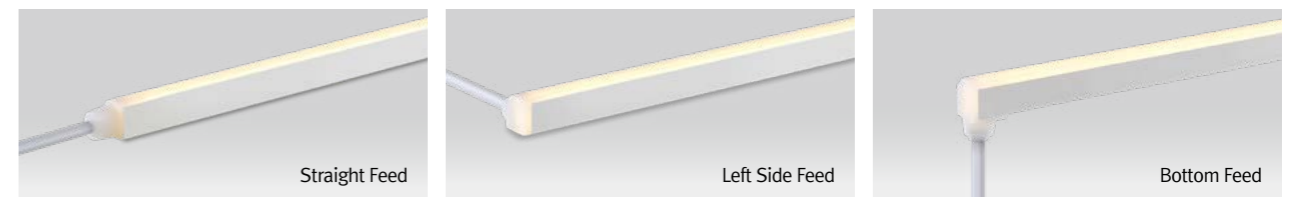
Model Number	Power Input	Lamp Power	Luminous Flux	Efficiency	Available Color	Color Rendering	Operating Temperature
FN1 SC-24V-1M	DC24V	12.5W/M	300 lm	30 lm/W	2,200K ~ 4,000K	Ra > 80	-10°C to 50°C
FN1 SC-24V-2M	DC24V	12.5W/M	600 lm	30 lm/W	2,200K ~ 4,000K	Ra > 80	-10°C to 50°C
FN1 SC-24V-3M	DC24V	12.5W/M	900 lm	30 lm/W	2,200K ~ 4,000K	Ra > 80	-10°C to 50°C
FN1 SC-24V-4M	DC24V	12.5W/M	1,200 lm	30 lm/W	2,200K ~ 4,000K	Ra > 80	-10°C to 50°C
FN1 SC-24V-5M	DC24V	12.5W/M	1,500 lm	30 lm/W	2,200K ~ 4,000K	Ra > 80	-10°C to 50°C

* Ip Rate
 IP67 with Factory Termination (Customized Length Available)
 IP65 with Field Termination
 IP20 with Indoor Termination

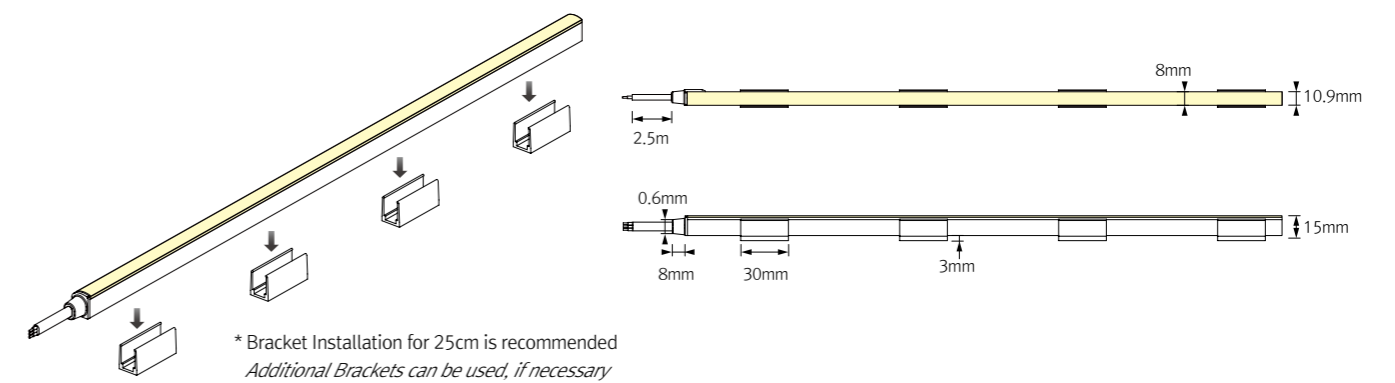
Various options



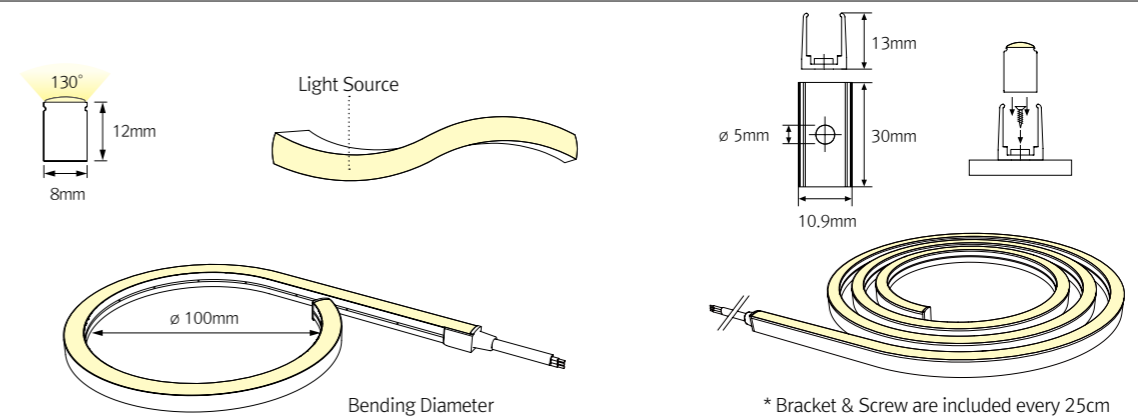
Powerfeed type



Installation

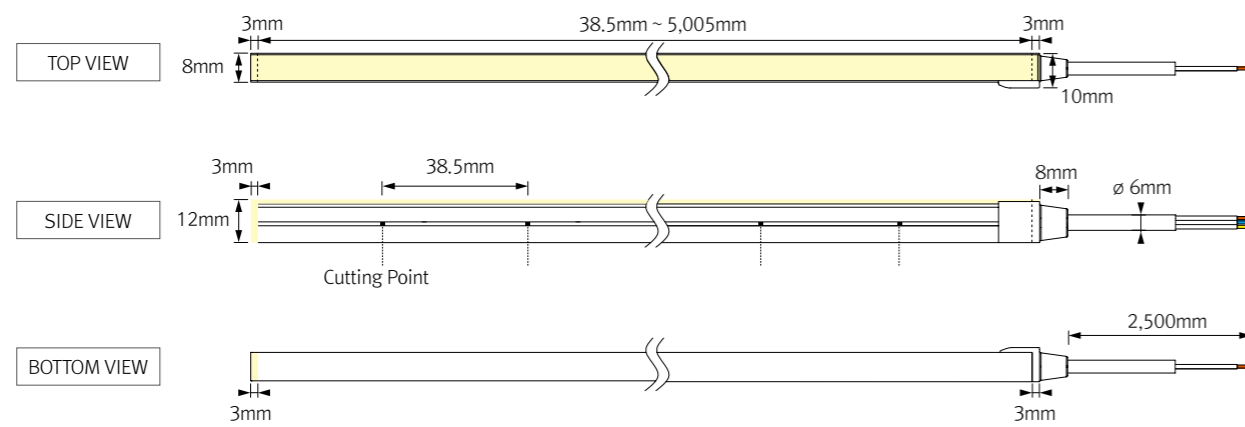


Physical specifications

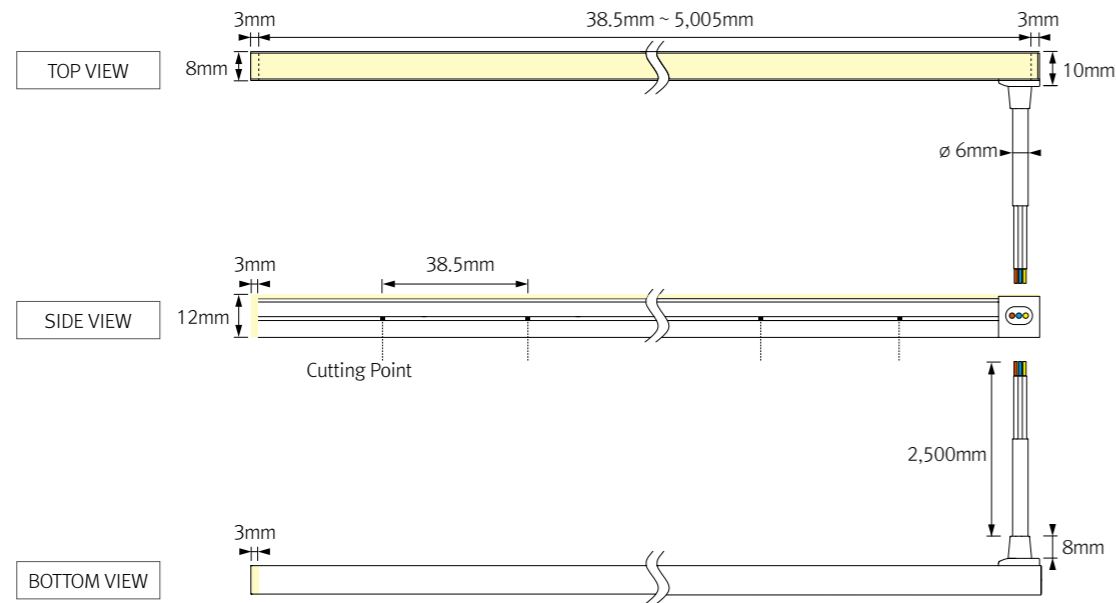


Dimension

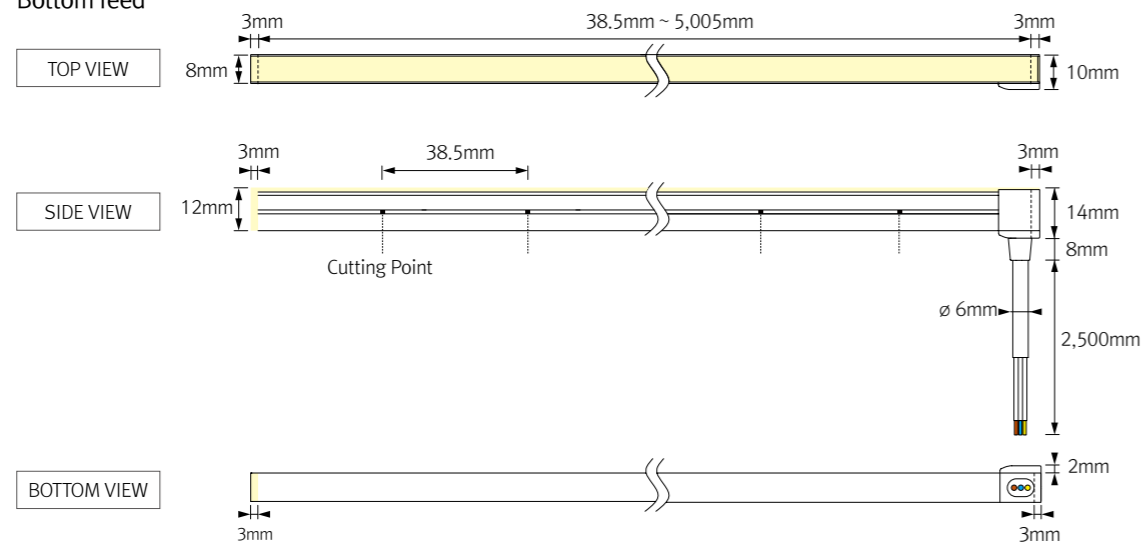
Straight Feed



Left Side Feed



Bottom feed



FLXible Neon can be cut every 38.5mm.
Please follow the cutting point mark to cut precisely as needed.

Accessories

Ⓐ FLXible Neon 1 Straight Feed (Customized Length Available)

FN1 SC-24V (5m) FN1 SC-24V (2m)
FN1 SC-24V (4m) FN1 SC-24V (1m)
FN1 SC-24V (3m)

Ⓑ FLXible Neon 1 Left Side Feed (Customized Length Available)

FN1 SC-24V-LS (5m) FN1 SC-24V-LS (2m)
FN1 SC-24V-LS (4m) FN1 SC-24V-LS (1m)
FN1 SC-24V-LS (3m)

Ⓒ FLXible Neon 1 Bottom Feed (Customized Length Available)

FN1 SC-24V-BS (5m) FN1 SC-24V-BS (2m)
FN1 SC-24V-BS (4m) FN1 SC-24V-BS (1m)
FN1 SC-24V-BS (3m)

Ⓓ Mounting Brackets

FN1-BRACKET1, 1set = 4pcs

Ⓔ FN1 Extrusion Line (1,200mm)

FN1-EXL

Ⓕ Angled Brackets (15° & 40°)

FN1-BRACKET2 : 1set = 4pcs

Ⓖ Expanding Stick

FN-EPS

Ⓗ Field Termination (IP 65)

FN1-FTKIT-DUAL

Ⓘ LED Driver with 12way distributor, with power cord (1,800mm)

Part No	FLC30-24V/T	FLC75-24V-P/T
Capacity	30W 24V	75W 24V

Ⓛ LED Driver : FLC200-24V/T (200W, DC24V)

LED Driver With 12way distributor

Ⓚ Dimming Interface (0-10/1-10, DMX512)

FDA-L2M0 : Max. 200W (100W/CH, 2CH)
FDA-L5M : Max. 200W (50W/CH, 5CH)

