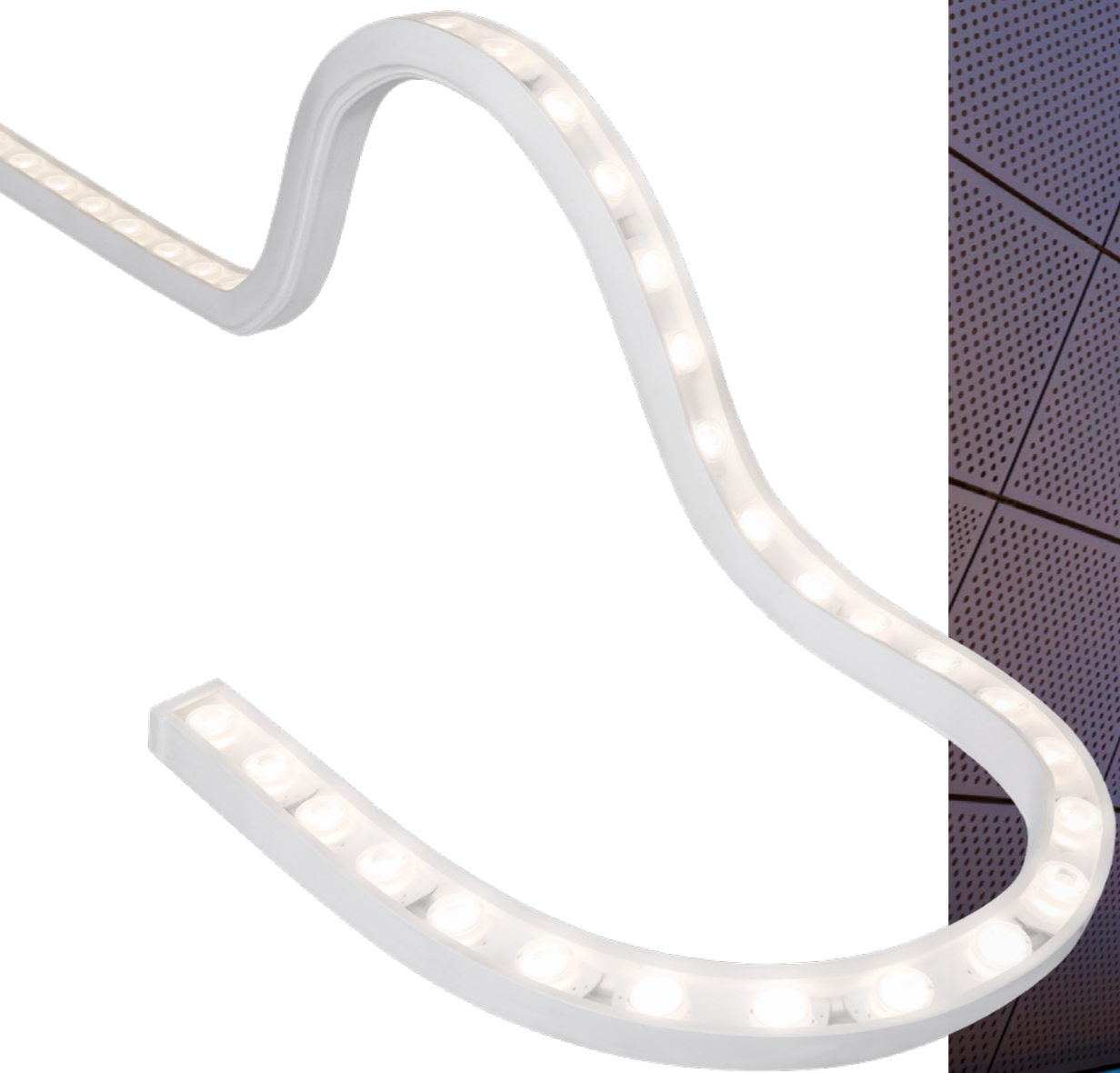


FLXible Neon Lens 3D

Flexible wall grazer effect

Two way Bendable High Power Neon with Optic Lens

- Flexible luminaire with optics.
- Bending direction both horizontally and vertically.
- IP 67 rating for outdoor and indoor application
- 90+ CRI Standard
- Various beam angles (20°, 35°, 45°, 20x40°)
- field-cuttable(55.4mm) for customized length
- 20W per meter





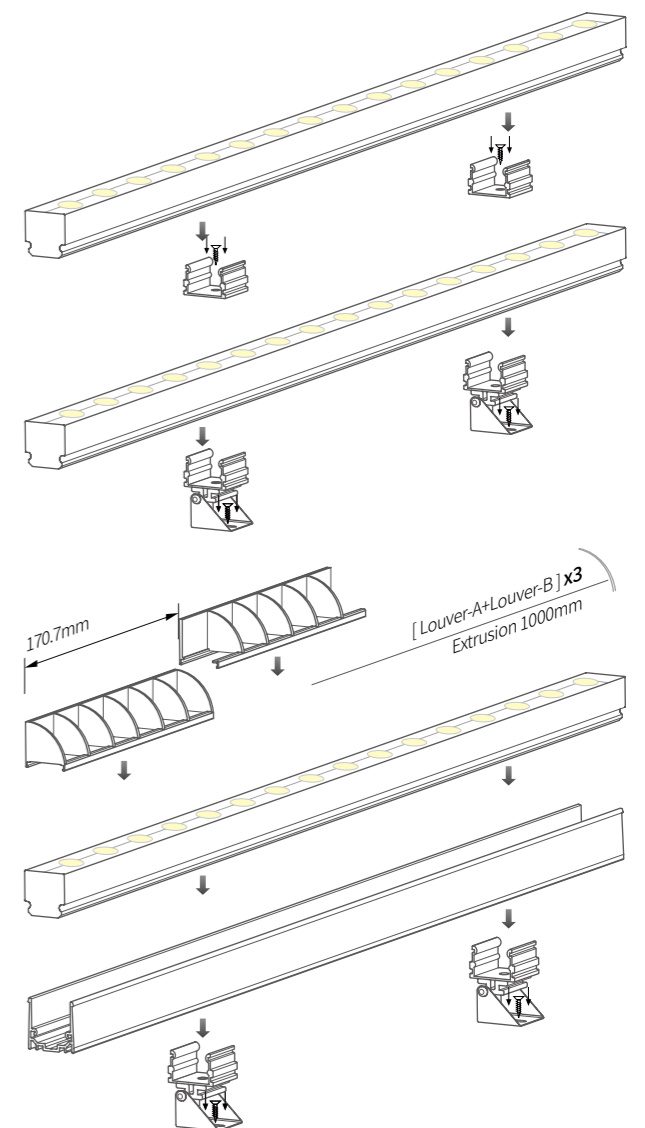
Specification

Model Number	Power Input	Lamp Power	Lumen/W	Color Temperature	Color Rendering	Operating Temperature	Beam Angle	Material
FNL 3D 27K-24V-C90	DC 24V	19W/m	75 lm/W	2700K	Ra > 90	-20°C to 40°C	20° 35° 45° 20x40°	Silicon
FNL 3D 30K-24V-C90			80 lm/W	3000K				
FNL 3D 40K-24V-C90			85 lm/W	4000K				
FNL 3D 65K-24V-C90			84 lm/W	6500K				
FNL 3D SC-24V-C90			75 lm/W	2200~4000K				

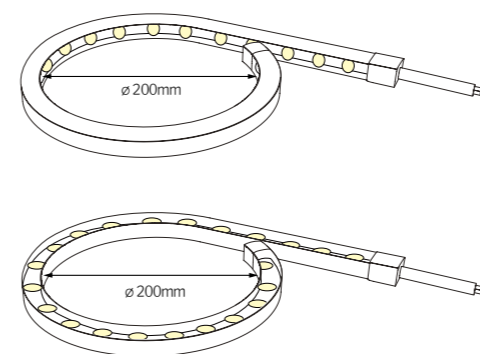
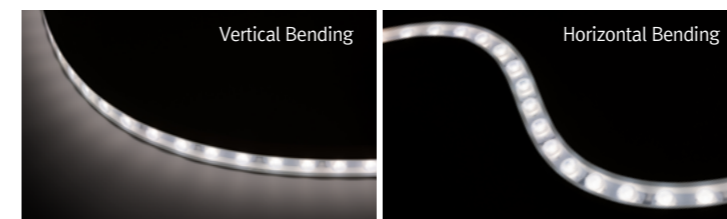
Powerfeed type



Installation

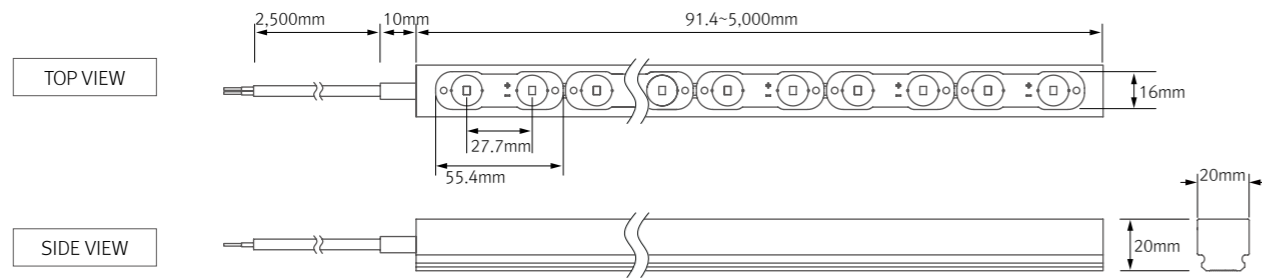


Physical specifications

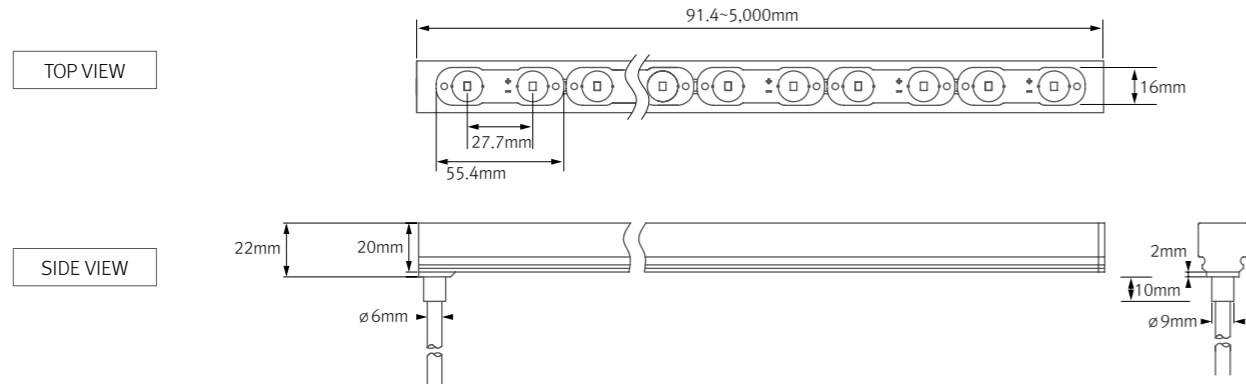


Dimensions

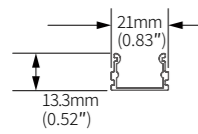
Straight Feed



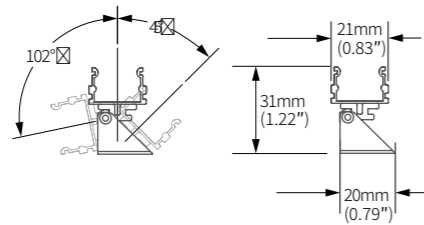
Bottom Feed



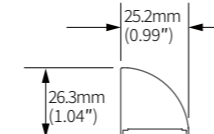
* Bracket



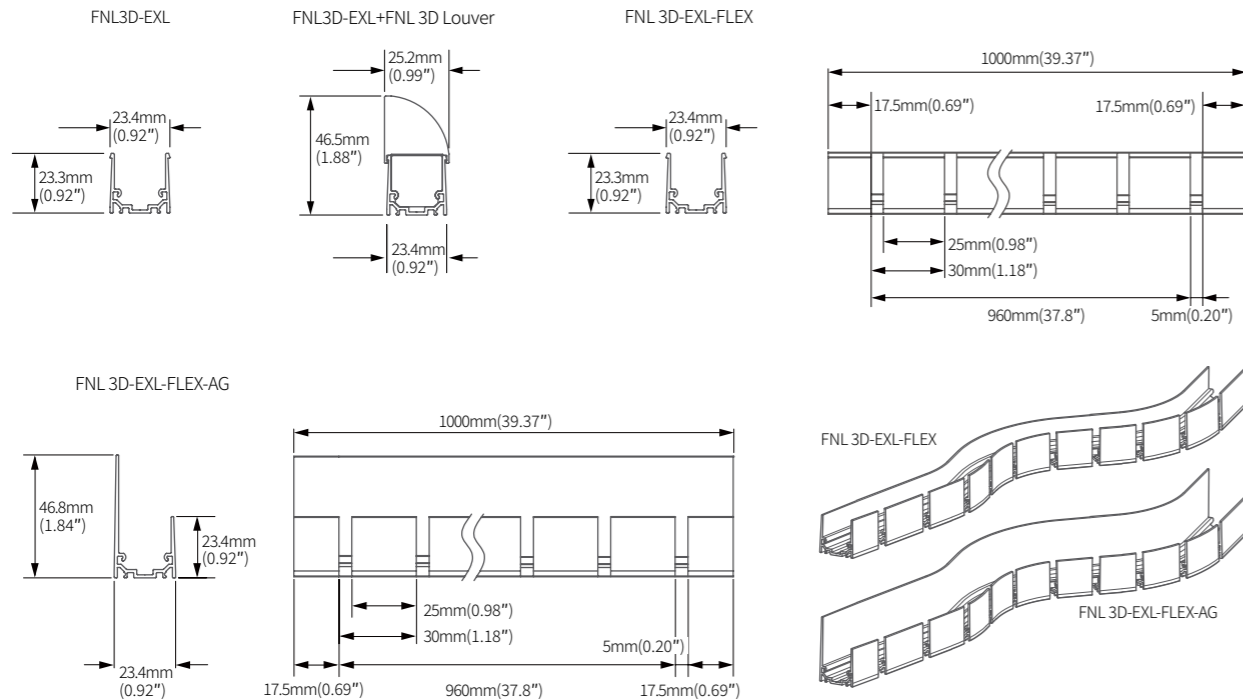
* Angle Bracket



* Louver



* Extrusion Line



Accessories

a Flexible Neon Lens 3D

FNL 3D-40K-24V-C90 (1M)
FNL 3D-40K-24V-C90 (2M)
FNL 3D-40K-24V-C90 (3M)
FNL 3D-40K-24V-C90 (4M)
FNL 3D-40K-24V-C90 (5M)

b Flexible Neon Lens 3D Bottom Feed

FNL 3D-40K-24V-C90-BS (1M)
FNL 3D-40K-24V-C90-BS (2M)
FNL 3D-40K-24V-C90-BS (3M)
FNL 3D-40K-24V-C90-BS (4M)
FNL 3D-40K-24V-C90-BS (5M)

c Flexible Neon Lens 3D Dual

FNL 3D-SC-24V-C90 (1M)
FNL 3D-SC-24V-C90 (2M)
FNL 3D-SC-24V-C90 (3M)
FNL 3D-SC-24V-C90 (4M)
FNL 3D-SC-24V-C90 (5M)

d Flexible Neon Lens 3D Dual Bottom Feed

FNL 3D-SC-24V-C90-BS (1M)
FNL 3D-SC-24V-C90-BS (2M)
FNL 3D-SC-24V-C90-BS (3M)
FNL 3D-SC-24V-C90-BS (4M)
FNL 3D-SC-24V-C90-BS (5M)

e Flexible Neon Lens 3D Extrusion Line

FNL 3D-EXL (1M)

f Flexible Neon Lens 3D Flexible Extrusion Line

FNL 3D-EXL-FLEX (1M)

g Flexible Neon Lens 3D Flexible Extrusion Line Louver

FNL 3D-EXL-FLEX-AG (1M)

h FNL 3D (LouverA+LouverB) x3/(6pcs-1000mm)

FNL 3D-Louver-BK / FNL 3D-Louver-WT

i Flexible Neon Lens 3D Mounting Bracket

FNL 3D-BRACKET1, 1set = 4pcs

j Flexible Neon Lens 3D Angle Bracket

FNL 3D BRACKET2 (4pcs) for FNL 3D
FNL 3D BRACKET2 (4pcs) for FNL 3D-EXL (1M)

k LED Driver with 12way distributor, with power cord (1,800mm)

Part No	FLC30-24V/T	FLC75-24V-P/T
Capacity	30W 24V	75W 24V

l LED Driver : FLC200-24V/T (200W DC24V)

LED Driver With 12way distributor

m Dimming Interface (0-10V)

FDC-L10 : Max. 100W (100W/CH, 1CH)

n Dimming Interface (0-10/1-10, DMX512)

FDA-L2M0 : Max. 200W (100W/CH, 2CH)

o Dimming Interface (Dali)

FDD-L1DA : Max. 200W (100W/CH, 1CH)

p Dimming Interface (Zigbee)

FDD-L2Z : Max. 200W (100W/CH, 2CH)

q Switch (Zigbee)

FSM-Z1 : Wireless Control

r END CAP

FNL 3D-END CAP

