

LuxFeel Interior Line

Light for facades, window display

Adjustable Glazier with Various Beam Spreads



- Ideal for exhibition or commercial place
- Adjustable product: beam angle changeable
- Light for facades, windows display and architecture
- High color rendering
- Various length available

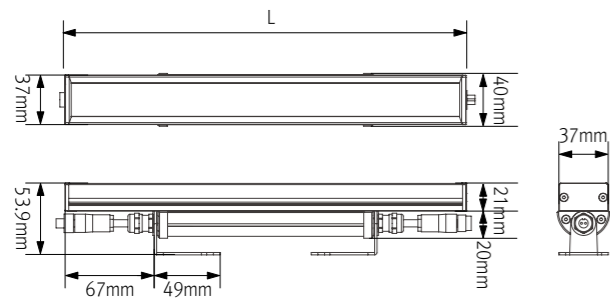




Specification

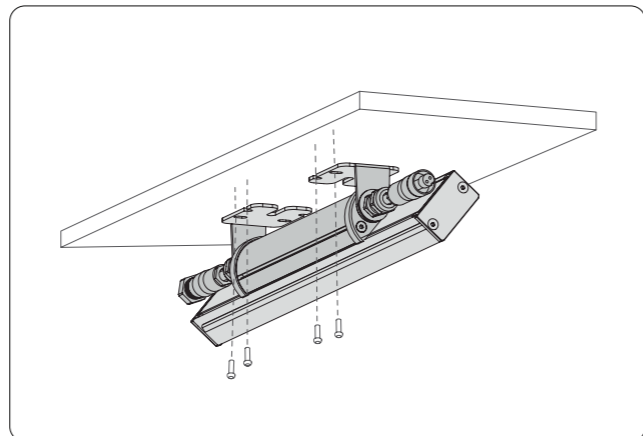
Model Name	Voltage Input	Energy Consumption	Lumens	Energy Efficiency	Color Rendering	Available color	Beam Angle	Material	Housing Color
LIL30 40K-24V-C90	DC 24V	11.2 W	900 lm	80 lm/W	Ra > 90	2,700K/3,000K/3,500K/4,000K/5,000K	32°, 45° Oval 13° x 40°	AL	BK, SV, WT
LIL60 40K-24V-C90	DC 24V	22.5 W	1,800 lm	80 lm/W	2,700K/3,000K/3,500K/4,000K/5,000K				
LIL90 40K-24V-C90	DC 24V	33.7 W	2,700 lm	80 lm/W	2,700K/3,000K/3,500K/4,000K/5,000K				
LIL120 40K-24V-C90	DC 24V	45 W	3,600 lm	80 lm/W	2,700K/3,000K/3,500K/4,000K/5,000K				

Dimension

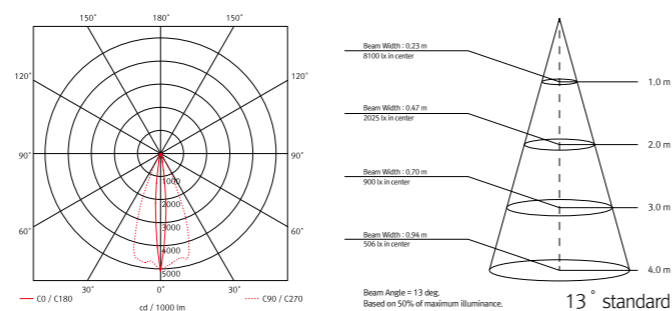


Model Name	L (Length/mm)
LIL30 40K-24V-C90	300.5
LIL60 40K-24V-C90	600.5
LIL90 40K-24V-C90	900.5
LIL120 40K-24V-C90	1,200.5

Installation



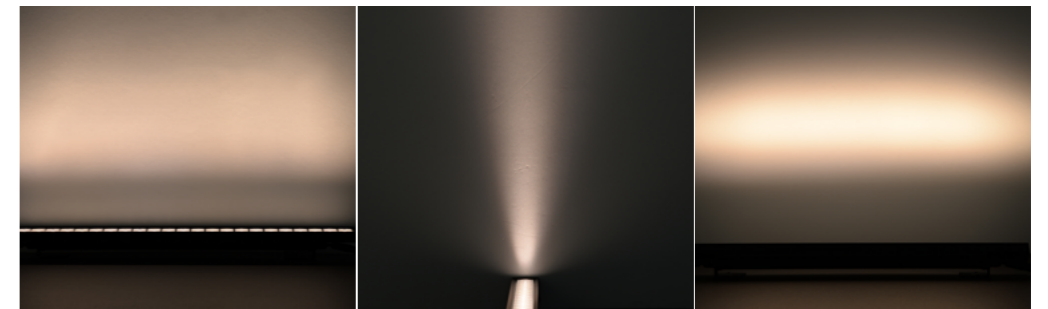
Photometric data



Notice

- Max. connection : 100W in one row (single power feed)

Light output



Accessories

Ⓐ Open Power cable : LILOPC (2,500mm)

* Available Color : Black, White



Ⓑ LED Driver with 12way distributor with power cord (1,800mm)

Part NO	FLC30-24V/T	FLC75-24V-P/T
Capacity	30W 24V	75W 24V



Ⓒ LED Driver : FLC200-24V/T (200W, DC24V)

LILPTC	LILPTC1	LILPTC2	LILPTC4	LILPTC6
150mm(6inch)	300mm(1feet)	600mm(2feet)	1,200mm(4feet)	1,800mm(6feet)

