

MonoRail Pro

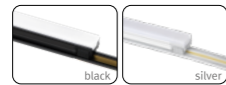
LED for Display, Cabinet, Furniture

Display & Cove System for Long Runs!



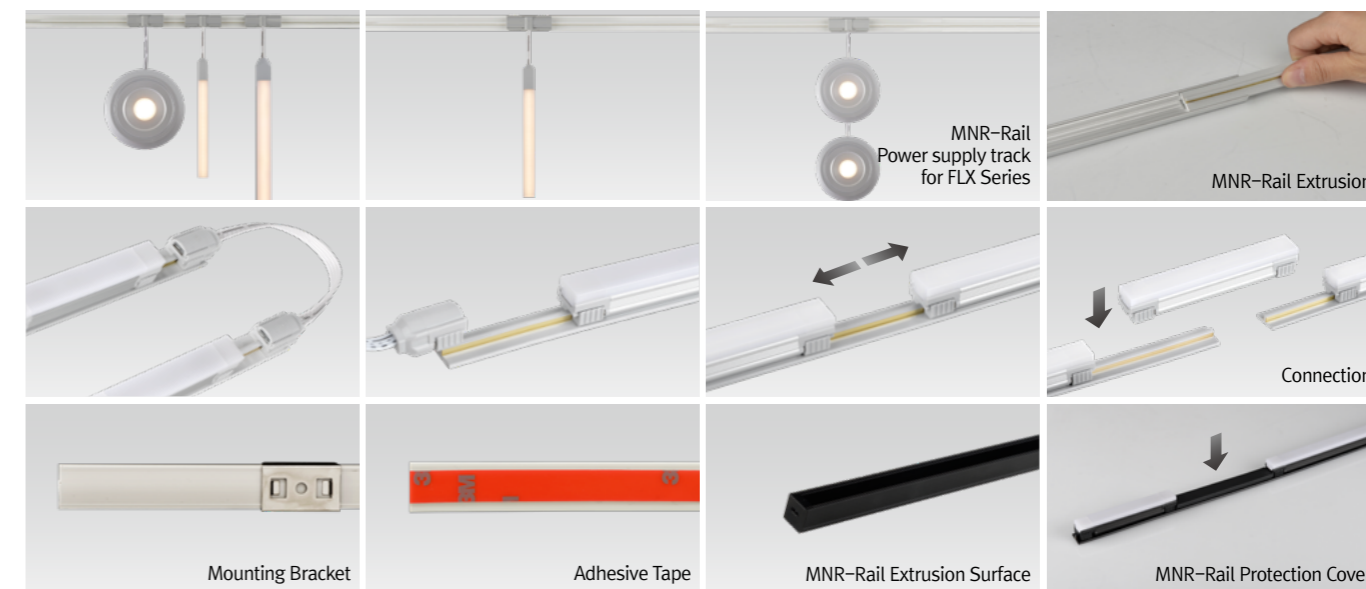
- Super Slim linear with power track
- Greatly extends the length of a run with a single power point
- Fixtures snaps onto power track with no breaks in light output
- Available in silver, black
- To be used with constant voltage DC 24V driver
- Dimmable with available accessories

Various color





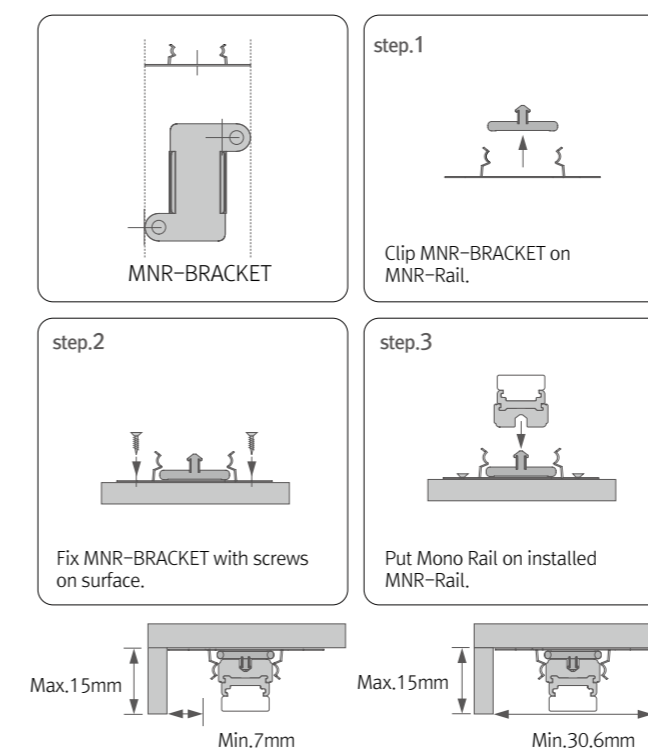
Various options



MonoRail Pro
Display & Cove System for Long runs!



Installation



Max. connection

- MonoRail : 180W in one row (Single power feed)
- LED Driver

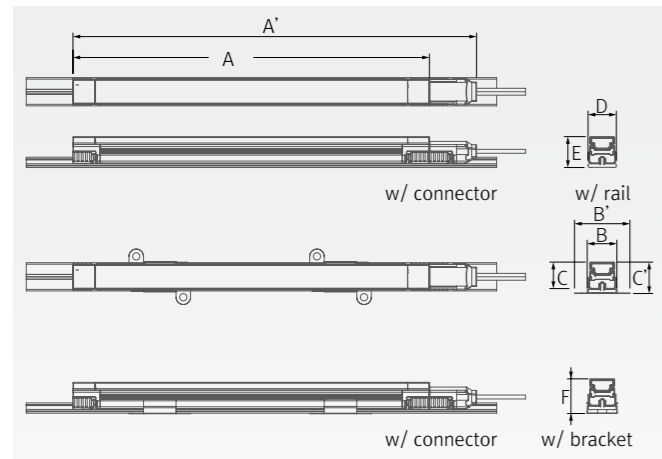
Model Name	Max. units for LED Driver		
	24V/30W	24V/75W	24V/200W
MNP1 40K-24V	21	53	114
MNP4 40K-24V	7	17	37
MNP8 40K-24V	3	9	18

Specification

Model Name	Power Input	Lamp Power	Lumen	Efficiency	Color Rendering	Available Color	Operating Temperature
MNP1 40K-24V-C90	DC 24V	1.4 W	113 lm	79 lm/W	Ra > 90	2,700K/3,000K/3,500K/4,000K/5,700K	0 ~ 45°C
MNP4 40K-24V-C90	DC 24V	4.3 W	362 lm	84 lm/W	Ra > 90	2,700K/3,000K/3,500K/4,000K/5,700K	0 ~ 45°C
MNP8 40K-24V-C90	DC 24V	8.5 W	722 lm	85 lm/W	Ra > 90	2,700K/3,000K/3,500K/4,000K/5,700K	0 ~ 45°C

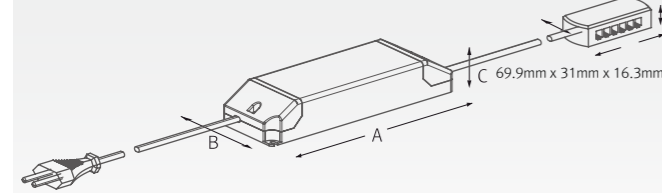
Dimension

Model Name	Power Input (V)	Lamp Power (W)	A (mm)	A' (mm)	B (mm)	B' (mm)	C (mm)	C' (mm)	D (mm)	E (mm)	F (mm)
MNP1 40K-24V-C90	DC 24	1.4	95	121	15.3	30.6	14.8	17.4	15.6	17	17
MNP4 40K-24V-C90	DC 24	4.3	286	312	15.3	30.6	14.8	17.4	15.6	17	17
MNP8 40K-24V-C90	DC 24	8.5	572	598	15.3	30.6	14.8	17.4	15.6	17	17

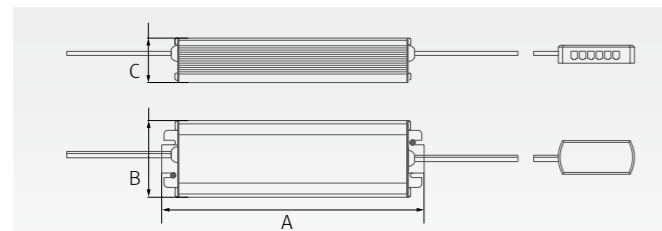


Model Name	A (mm)	B (mm)	C (mm)
FLC30-24V/T	150	41	31
FLC75-24V-P/T	180	60	32

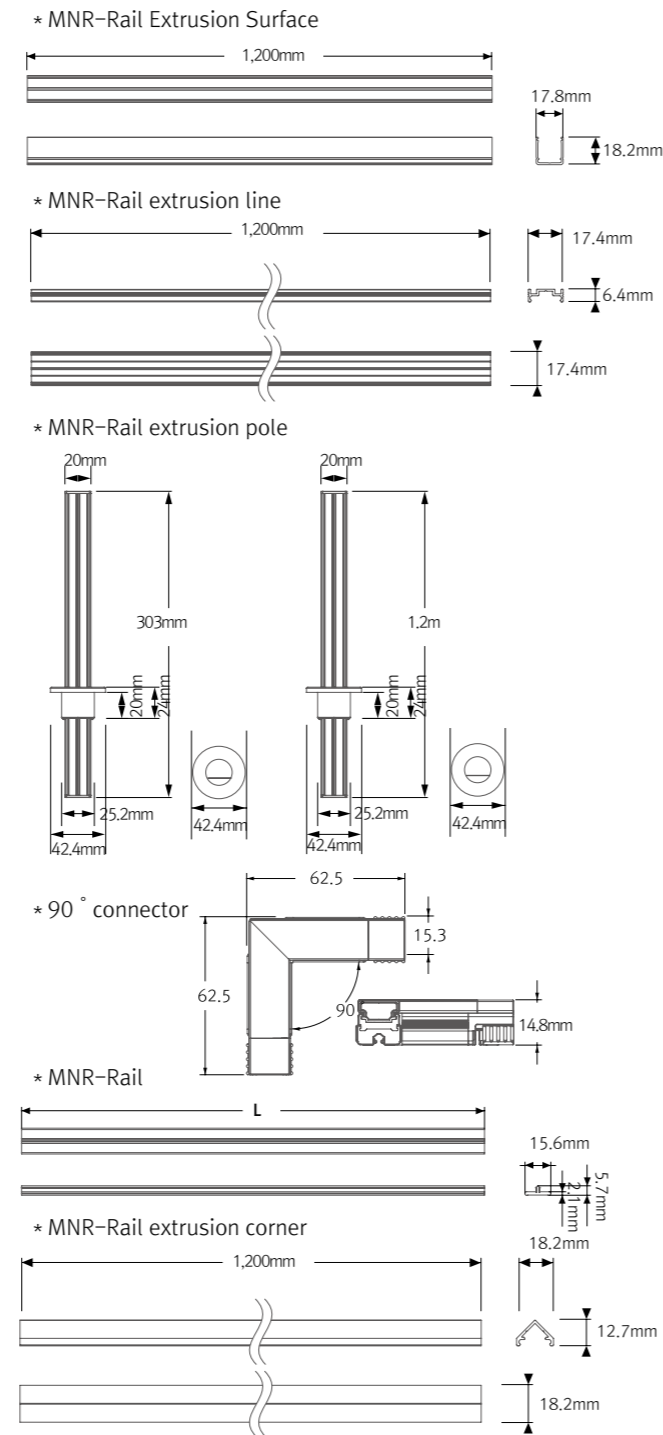
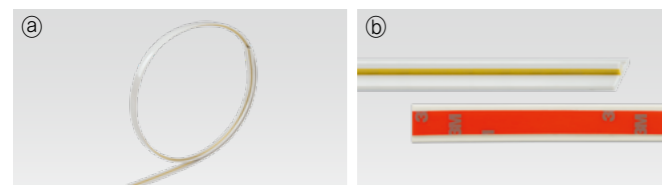
* LED Driver



Model Name	A (mm)	B (mm)	C (mm)
FLC200-24V/T	228	68	39



Accessories



- (a) Power supply track : MNR-Rail (20m)**
Power supply track in Roll without adhesive
Color : White, Gray, Black
- (b) Power supply track : MNR-Rail (1,200mm)**
Power supply track with adhesive tape
Color : White, Gray, Black

(c) Adhesive tape

Adhesive tape for MNR-Rail (16.5 m)

(d) Power supply cable to the MNR-Rail : MNRPC (2,500mm)

120W in one row (w/ terminal block)
180W in one row (w/o terminal block)
* Available Color : Gray, Black

(e) Connecting cable between MNR-Rail

MNRPTC	MNRPTC1	MNRPTC2	MNRPTC4	MNRPTC6
150mm(6inch)	300mm(1feet)	600mm(1feet)	1200mm(4feet)	1800mm(6feet)

* Available Color : Gray, Black

(f) Connecting cable between MNR-Rail and FLX Stix NDP : MNRPTC-NDP

MNRPTC-NDP1	MNRPTC-NDP2
300mm(1feet)	600mm(2feet)

* Available Color : Gray, Black

(g) Connecting cable between MNR-Rail and FLX Stix NDV : MNRPTC-NDV

MNRPTC-NDV1	MNRPTC-NDV2
300mm(1feet)	600mm(2feet)

* Available Color : Gray, Black

(h) Connecting cable between MNR-Rail and FLX Stix HDP : MNRPTC-HDP

MNRPTC-HDP1	MNRPTC-HDP2
300mm(1feet)	600mm(2feet)

* Available Color : Gray, Black

(i) Connecting cable between MNR-Rail and FLX Stix HDV&DDV : MNRPTC-HDV

MNRPTC-HDV1	MNRPTC-HDV2
300mm(1feet)	600mm(2feet)

* Available Color : Gray, Black

(j) Connecting cable between MNR-Rail and FLX Spot DVS : MNRPTC-DVS

MNRPTC-DVS1	MNRPTC-DVS2
300mm(1feet)	600mm(2feet)

* Available Color : Gray, Black

(k) Sidefeed for seamless extension (1W) : MNP1 40K-24V-C90-S

120W in one row
(l) 90° connector : MNP1 40K-24V-C90-90
 MonoRail90° connector (1W)
 120W in one row

(m) LED Driver with 12way distributor, with power cord (1,800mm)

Part No	FLC30-24V/T	FLC75-24V-P/T
Capacity	30W 24V	75W 24V

(n) LED Driver : FLC200-24V/T (200W, DC24V)

LED Driver With 12way distributor

(o) Bracket : MNR-BRACKET (standard)

(p) Bracket : MNR-BRACKET1 (optional)

(q) Dimming Interface (1-10V) : FDC-L10

Max. 100W (100W/CH, 1CH)

(r) Dimming Interface (0-10/1-10V, DMX512)

FDA-L2M0 : Max. 200W (100W/CH, 2CH)
 FDA-L5M : Max. 200W (50W/CH, 5CH)

(s) Dimming Interface (Dail): FDD-L1DA

Max. 200W (100W/CH, 1CH)

(t) MNR-Rail Extrusion Surface (1,200mm)

Without MNR-Rail	Without MNR-Rail
Silver	Black
MNR-EXS-SV	MNR-EXS-BK

(u) MNR-Rail Extrusion Line (1,200mm)

Without MNR-Rail	Without MNR-Rail
Silver	Black
MNR-EXL-SV	MNR-EXL-BK

(v) MNR-Rail Extrusion Corner (1,200mm)

Without MNR-Rail	Without MNR-Rail
Silver	Black
MNR-EXC-SV	MNR-EXC-BK

(w) MNR-Rail Extrusion Pole (300mm/1,200mm)

With MNR-Rail	With MNR-Rail
Silver	Black
MNR-EXP-SV	MNR-EXP-BK

(x) MNR-Rail protection cover : MNR-Rail Cover

Color : White, Gray, Black

(y) Fixture Remover : MNP-REMOVER

(z) End cap : MNR-CAP

Color : White, Gray, Black

