

MonoRail Showcase Kit

Total Solution for Showcase

Convenient Pole System for Multi-use



- The showcase kit convenient for all
- Showcase kit using MonoRail system
- Plug & Play display system
- Adjustable length
- Slide LED fixtures along power track
- Available in silver or black
- To be used with constant voltage DC 24V driver

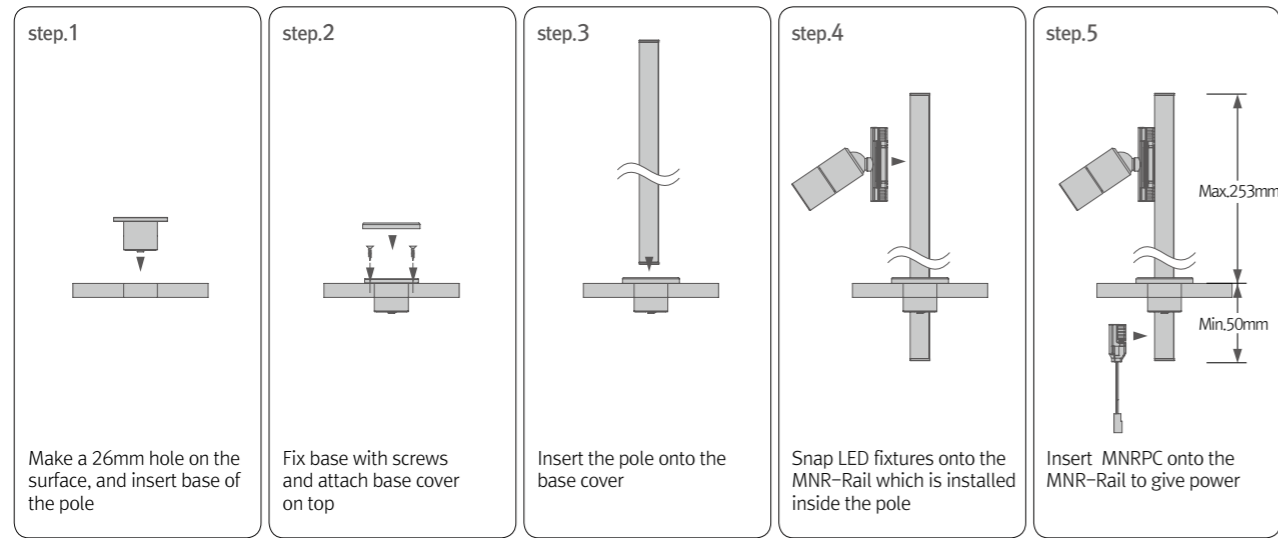


Slide LED fixtures along MNR-Rail

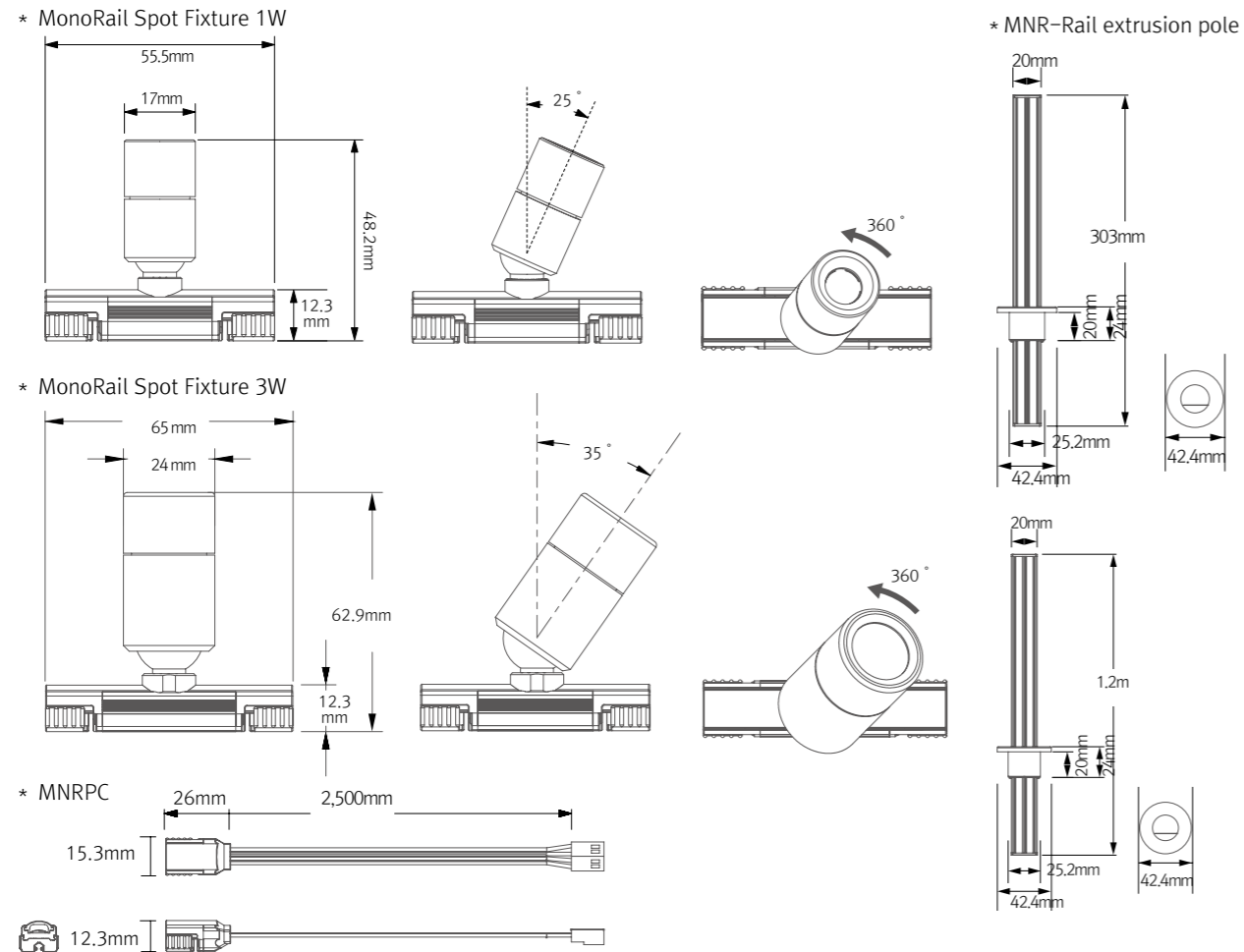
Adjustable pole length



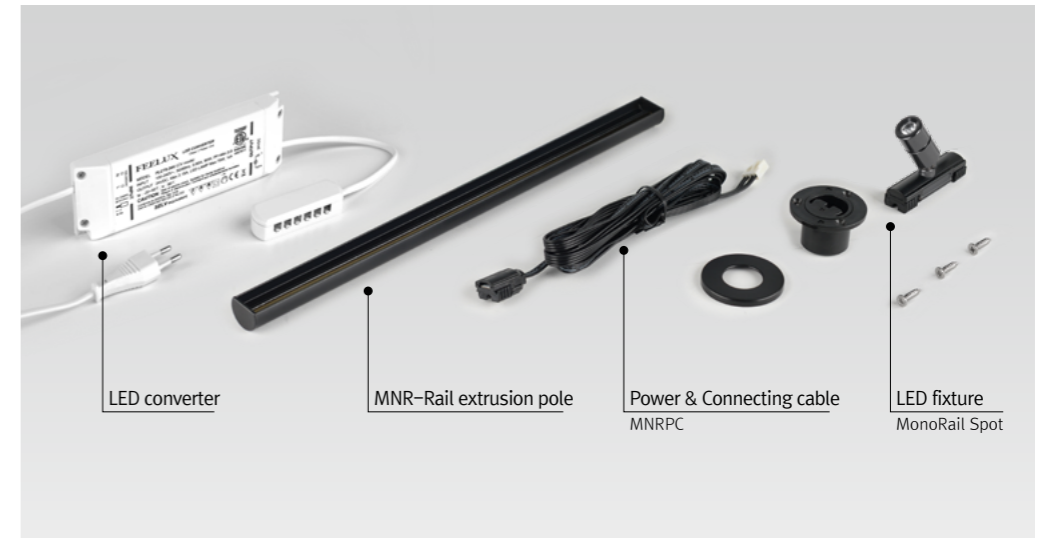
Installation



Dimension



Required Accessories



Accessories

Ⓐ MNR-Rail extrusion pole (300mm/1,200mm)

	Silver	Black
300mm	MNR-EXP-SV	MNR-EXP-BK
1,200mm	MNR-EXP-SV (1.2m)	MNR-EXP-BK (1.2m)

* LED fixture, Power cable, LED driver are not included

Ⓑ MonoRail Spot

Beam angle	Silver	Black
15°	MRS1 40K-24V-SV-15	MRS1 40K-24V-BK-15
35°	MRS1 40K-24V-SV-30	MRS1 40K-24V-BK-30

Ⓒ MonoRail Spot HO

Beam angle	Silver	Black	White
25°	MRS340K-24V-SV-25	MRS340K-24V-BK-25	MRS340K-24V-WT-25
45°	MRS340K-24V-SV-45	MRS340K-24V-BK-45	MRS340K-24V-WT-45
60°	MRS340K-24V-SV-60	MRS340K-24V-BK-60	MRS340K-24V-WT-60

Ⓓ Power supply cable to the MNR-Rail : MNRPC (2,500mm)
 120W in one row (w/ terminal block)
 180W in one row (w/o terminal block)
 * Available Color : Gray, Black

Ⓔ LED Driver with 12way distributor, with power cord (1,800mm)

Part No	FLC30-24V/T	FLC75-24V-P/T
Capacity	30W 24V	75W 24V

