

MonoRail Spot

LED for Display, Cabinet, Furniture

Slide and Swivel Mini LED Spotlight



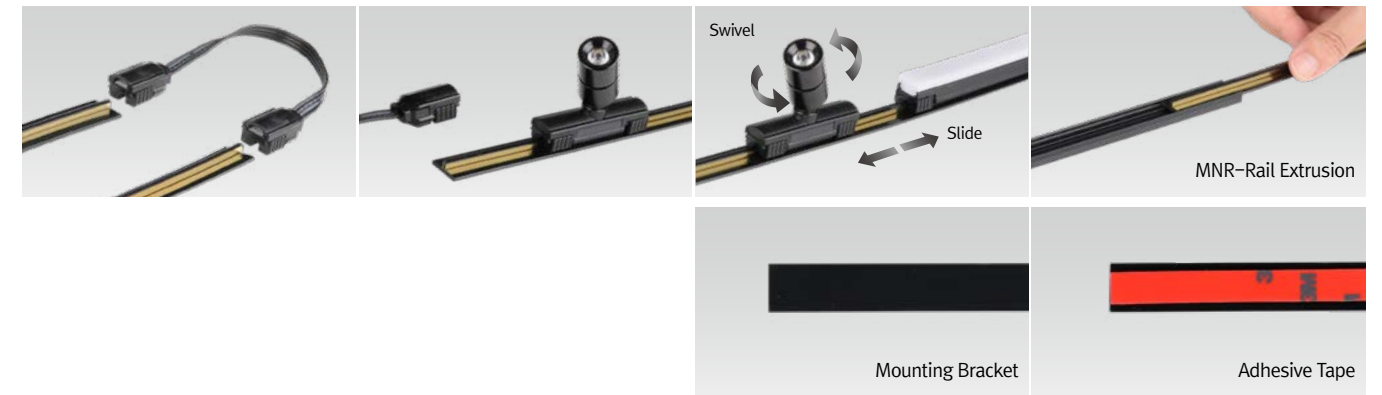
- Compatible and linkable with MonoRail system
- Slide and swivel mini LED spotlight
- Suitable for furniture and showcase application
- Simple Plug & Play connection to the power track
- Available in silver or black
- To be used with constant voltage DC 24V driver

Various color

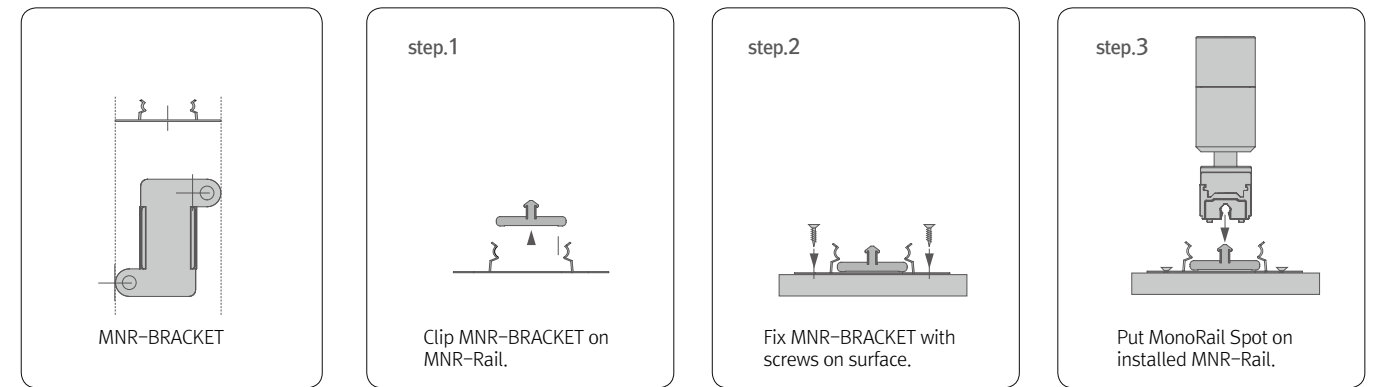




Various options



Installation



Max. connection

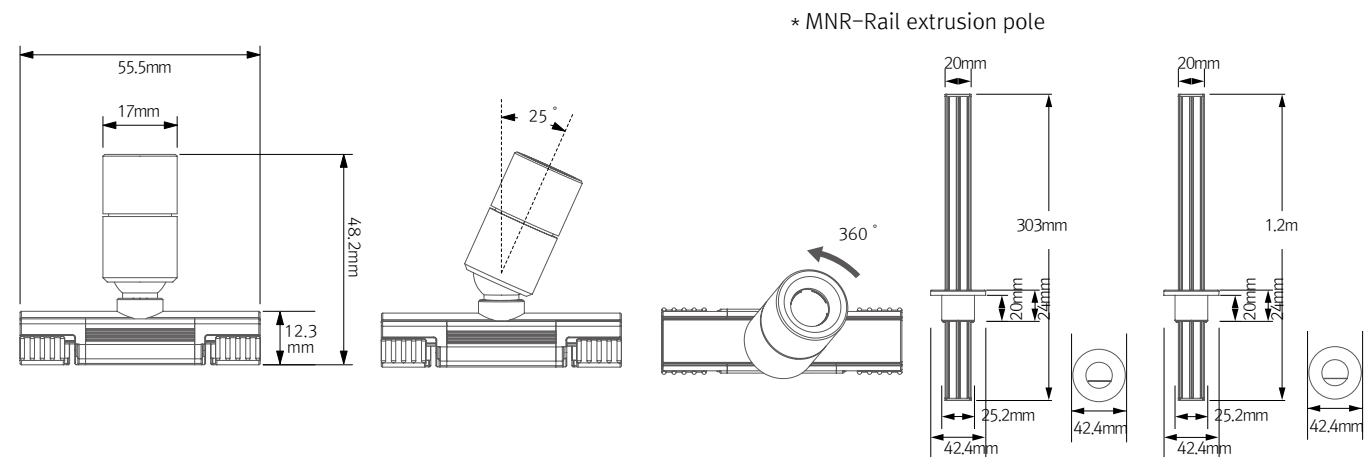
- MonoRail Spot :180W in one row (Single power feed)
- LED Driver

LED Driver Model Name	Max. units for LED Driver			
	24V/15W	24V/30W	24V/75W	24V/200W
MRS1 40K-24V-SV	10	20	52	140

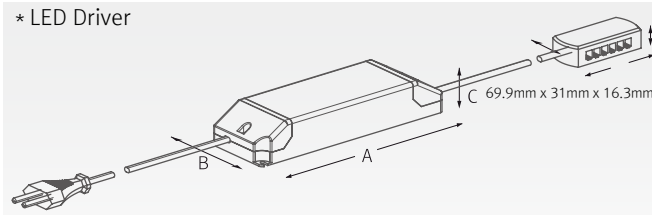
Specification

Model Name	Color	Power Input	Lamp Power	Luminous Flux	Efficiency	Color Rendering	Available Color	Beam Angle	Operating Temperature
MRS1 40K-24V-SV-15	Silver	DC24V	1W	95 lm	74 lm/W	Ra > 85	2,700K/3,000K/4,000K/5,000K/5,700K	15°, 35°	0~45°C
MRS1 40K-24V-BK-35	Black	DC24V	1W	95 lm	75 lm/W	Ra > 85	2,700K/3,000K/4,000K/5,000K/5,700K	15°, 35°	0~45°C

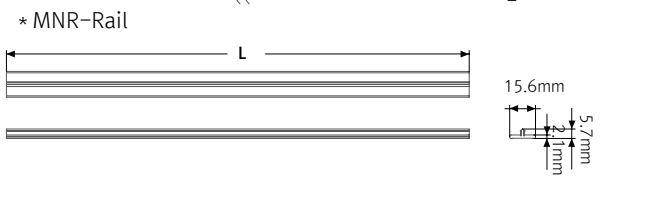
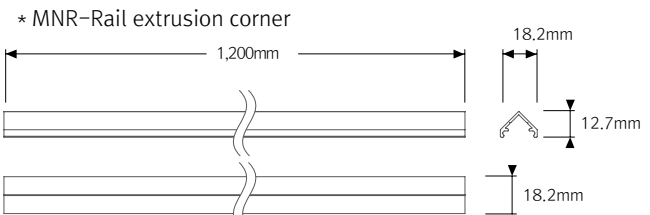
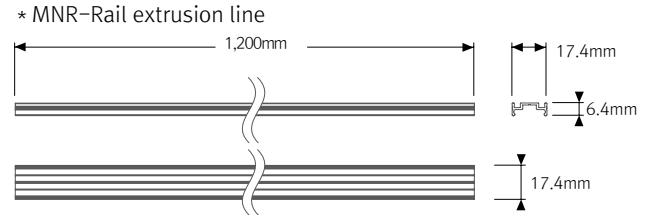
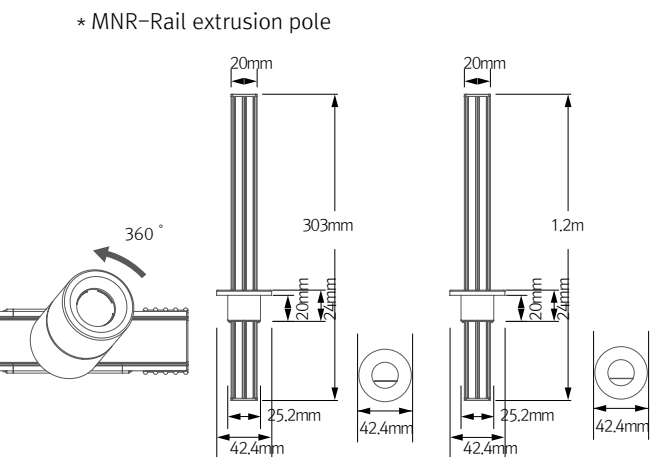
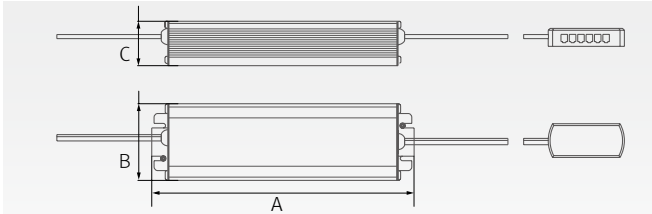
Dimension



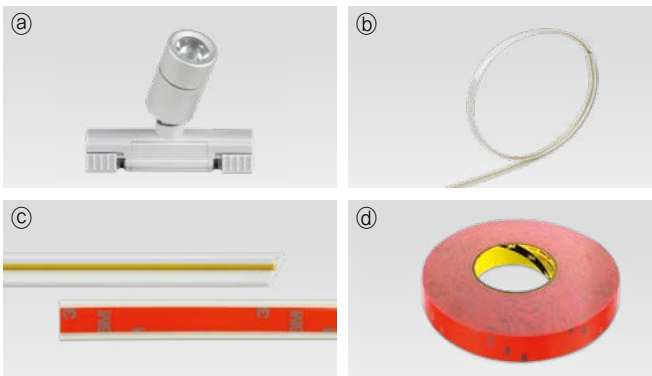
Model Name	A (mm)	B (mm)	C (mm)
FLC15-24V/T	121	45	16
FLC30-24V/T	150	41	31
FLC75-24V-P/T	180	60	32



Model Name	A (mm)	B (mm)	C (mm)
FLC200-24V/T	228	68	39



Accessories



a) MonoRail Spot

Beam angle	Silver	Black
15°	MRS1 40K-24V-SV-15	MRS1 40K-24V-BK-15
35°	MRS1 40K-24V-SV-35	MRS1 40K-24V-BK-35

b) Power supply track : MNR-Rail (20,000mm)
Power supply track in Roll without adhesive
Color : White, Gray, Black

c) Power supply track : MNR-Rail (1,200mm)
Power supply track with adhesive tape
Color : White, Gray, Black

d) Adhesive tape
Adhesive tape for MNR-Rail (16.5m)

e) Power supply cable to the MNR-Rail : MNRPC (2,500mm)

120W in one row (w/ terminal block)
180W in one row (w/o terminal block)
* Available Color : Black, Gray

f) Connecting cable between MNR-Rail

MNRPTC	MNRPTC1	MNRPTC2	MNRPTC4	MNRPTC6
150mm(6inch)	300mm(1feet)	600mm(1feet)	1,200mm(4feet)	1,800mm(6feet)
* Available Color : Black, Gray				

g) LED Driver with 12way distributor, with power cord (1,800mm)

Part NO	FLC15-24V/T	FLC30-24V/T	FLC75-24V-P/T
Capacity	24V/15W	24V/30W	24V/75W

h) LED Driver : FLC200-24V/T (200W, DC24V)

LED Driver With 12way distributor

i) MonoRail bracket : MNR-BRACKET (standard)

j) MonoRail bracket : MNR-BRACKET1 (optional)

k) Dimming Interface (1-10V) : FDC-L10

Max. 100W (100W/CH, 1CH)

l) Dimming Interface (0-10/1-10, DMX512)

FDA-L2M0 : Max. 200W (100W/CH, 2CH)
FDA-L5M : Max. 200W (50W/CH, 5CH)

m) Dimming Interface (Dail) : FDD-L1DA

Max. 200W (100W/feed, 2feeds)

n) Door and motion detection sensor (DC) : FLS-M24V

Voltage : DC 24V

o) Human-body detection sensor (DC) : FLS-P24V

Voltage : DC 24V

p) MNR-Rail extrusion line (1,200mm)

Silver	Black
MNR-EXL-SV	MNR-EXL-BK
Without MNR-Rail	

q) MNR-Rail extrusion corner (1.2m)

Silver	Black
MNR-EXC-SV	MNR-EXC-BK
Without MNR-Rail	

r) MNR-Rail extrusion pole (300mm/1,200mm)

Silver	Black
MNR-EXP-SV	MNR-EXP-BK
With MNR-Rail	

s) End cap : MNR-CAP

Color : White, Gray, Black

t) MNR-Rail protection cover : MNR-Rail cover

Color : White, Gray, Black

