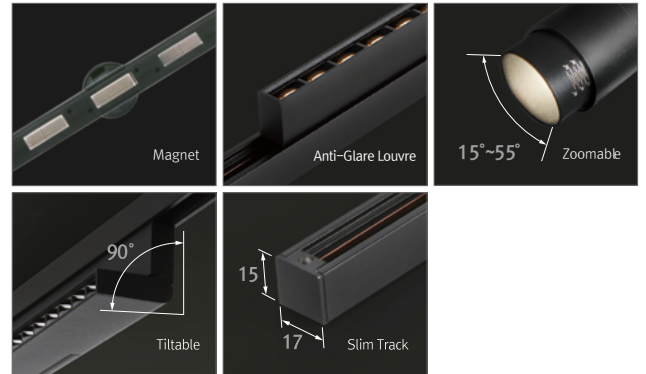


DATE

PROJECT

TYPE



**PRODUCT FEATURES**

- Ultra slim fixtures on easy magnetic rail system
- Adjustable beam angle by zoom function
- Available tilting up to 90°
- Safe with constant voltage DC 48V
- Various Track options (Surface, Trimless and Pendant mount track available)

**FLT Mini Track System**

Super slim magnetic low voltage track system

**PRODUCT SPECIFICATIONS**

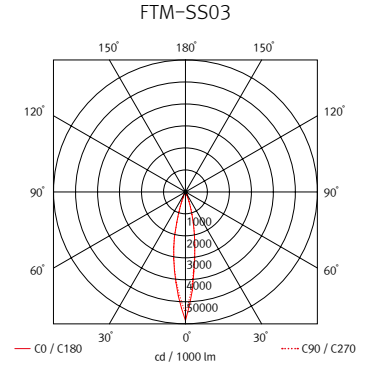
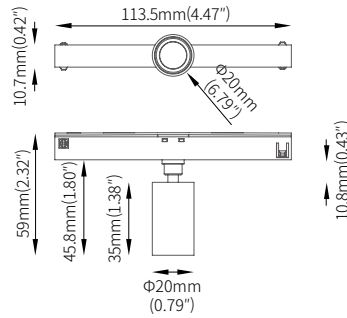
- Voltage: DC 48V
- Operating Temperature: 0-45°C(32-113°F)
- Lamp Life: 50,000 hrs / 70%
- Finishes: Black, White
- Color Rendering : CRI > 90

**SPECIFICATION-FIXTURES**

Performance data shown below for 3000K CCT. Refer to individual luminaire IES files for other CCT options.

Model Name	Power Input	Lamp Power	Luminous Flux	Luminous Efficacy	Color Rendering Index	Color Temperature(CCT)	Beam Angle	Operating Temperature
FTM-SS03 (color)-48V	DC 48V	3 W	208.3 lm	69.06 lm/W	CRI > 90	2,700K/3,000K/4,000K	15°/24°/36°	0-45°C (32-113°F)
FTM-SS05 (color)-48V	DC 48V	5 W	405.8 lm	71.6 lm/W	CRI > 90	2,700K/3,000K/4,000K	15°/24°/36°	0-45°C (32-113°F)
FTM-SS10 (color)-48V	DC 48V	10 W	855.3 lm	85.64 lm/W	CRI > 90	2,700K/3,000K/4,000K	15°/24°/36°	0-45°C (32-113°F)
FTM-SS15 (color)-48V	DC 48V	15 W	1,077.6 lm	78.14 lm/W	CRI > 90	2,700K/3,000K/4,000K	15°/24°/36°	0-45°C (32-113°F)
FTM-SS15 (color)-48V-ZOOM	DC 48V	15 W	1,089.8 lm	74.28 lm/W	CRI > 90	2,700K/3,000K/4,000K	15°~55°	0-45°C (32-113°F)
FTM-LS20 (color)-48V	DC 48V	10 W	521.5 lm	52.31 lm/W	CRI > 90	2,700K/3,000K/4,000K	24°/36°	0-45°C (32-113°F)
FTM-LS20 (color)-48V-TILT	DC 48V	10 W	496.8 lm	50.56 lm/W	CRI > 90	2,700K/3,000K/4,000K	24°/36°	0-45°C (32-113°F)
FTM-LS30 (color)-48V	DC 48V	15 W	713.7 lm	51.06 lm/W	CRI > 90	2,700K/3,000K/4,000K	24°/36°	0-45°C (32-113°F)
FTM-LS30 (color)-48V-TILT	DC 48V	15 W	733.2 lm	53.17 lm/W	CRI > 90	2,700K/3,000K/4,000K	24°/36°	0-45°C (32-113°F)
FTM-LM20 (color)-48V	DC 48V	10 W	475.4 lm	47.91 lm/W	CRI > 90	2,700K/3,000K/4,000K	110°	0-45°C (32-113°F)
FTM-LM20 (color)-48V-TILT	DC 48V	10 W	455.1 lm	45.17 lm/W	CRI > 90	2,700K/3,000K/4,000K	110°	0-45°C (32-113°F)
FTM-LM30 (color)-48V	DC 48V	15 W	724.5 lm	52.42 lm/W	CRI > 90	2,700K/3,000K/4,000K	110°	0-45°C (32-113°F)
FTM-LM30 (color)-48V-TILT	DC 48V	15 W	710.5 lm	53.38 lm/W	CRI > 90	2,700K/3,000K/4,000K	110°	0-45°C (32-113°F)

## FTM-SS03



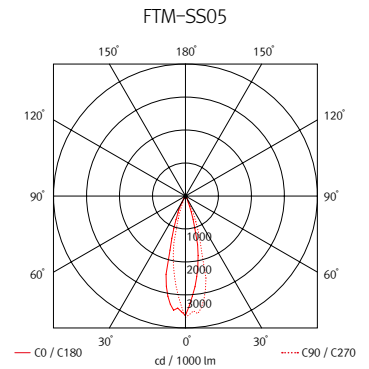
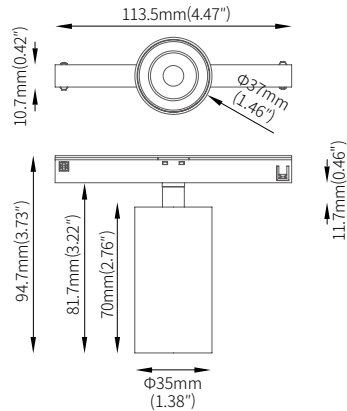
3000K performance data given. Refer to individual luminaire IES files for other CCTs.

Model Name	Power Input	Lamp Power	Luminous Flux	Luminous Efficacy	Color Rendering Index	Color Temperature (CCT)	Beam Angle	Weight of Luminaire	Operating Temperature
FTM-SS03 (color)-48V	DC 48V	3 W	208.3 lm	69.06lm/W	CRI > 90	2,700K/3,000K/4,000K	15° / 24° / 36°	41g (0.09lb)	0-45°C (32-113°F)

### ORDERING GUIDE Please refer to Page 8 for Track Compatibility.

MODEL	COLOR TEMPERATURE(CCT)	VOLTAGE	BODY FINISH	BEAM ANGLE
FTM-SS03	27K -2700K 30K -3000K 40K -4000K	48V	BK -Black WT -White	15° 24° 36°

## FTM-SS05



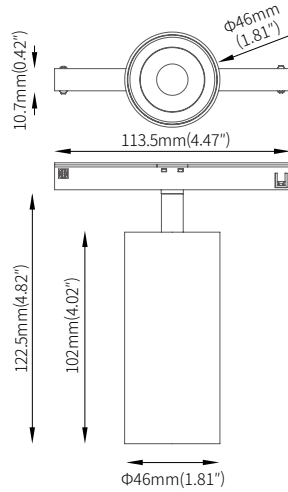
3000K performance data given. Refer to individual luminaire IES files for other CCTs.

Model Name	Power Input	Lamp Power	Luminous Flux	Luminous Efficacy	Color Rendering Index	Color Temperature (CCT)	Beam Angle	Weight of Luminaire	Operating Temperature
FTM-SS05 (color)-48V	DC 48V	5 W	405.8 lm	71.6 lm/W	CRI > 90	2,700K/3,000K/4,000K	15° / 24° / 36°	126g (0.28lb)	0-45°C (32-113°F)

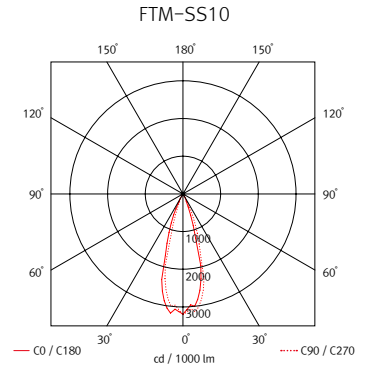
### ORDERING GUIDE Please refer to Page 8 for Track Compatibility.

MODEL	COLOR TEMPERATURE(CCT)	VOLTAGE	BODY FINISH	BEAM ANGLE
FTM-SS05	27K -2700K 30K -3000K 40K -4000K	48V	BK -Black WT -White	15° 24° 36°

## FTM-SS10



20.5mm (0.80")



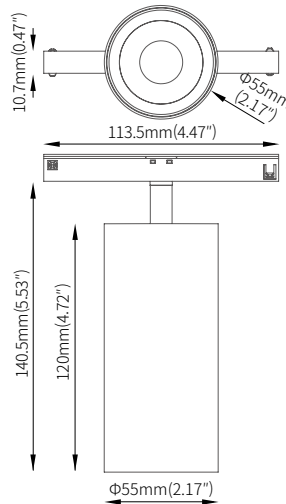
3000K performance data given. Refer to individual luminaire IES files for other CCTs.

Model Name	Power Input	Lamp Power	Luminous Flux	Luminous Efficacy	Color Rendering Index	Color Temperature (CCT)	Beam Angle	Weight of Luminaire	Operating Temperature
FTM-SS10 (color)-48V	DC 48V	10 W	855.3 lm	85.64lm/W	CRI > 90	2,700K/3,000K/4,000K	15° / 24° / 36°	171g (0.38lb)	0-45°C (32-113°F)

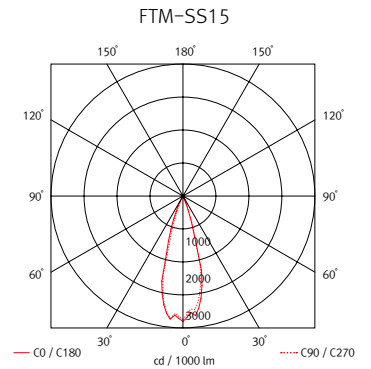
### ORDERING GUIDE Please refer to Page 8 for Track Compatibility.

MODEL	COLOR TEMPERATURE(CCT)	VOLTAGE	BODY FINISH	BEAM ANGLE
FTM-SS10	27K -2700K 30K -3000K 40K -4000K	48V	BK -Black WT -White	15° 24° 36°

## FTM-SS15



20.5mm (0.80")



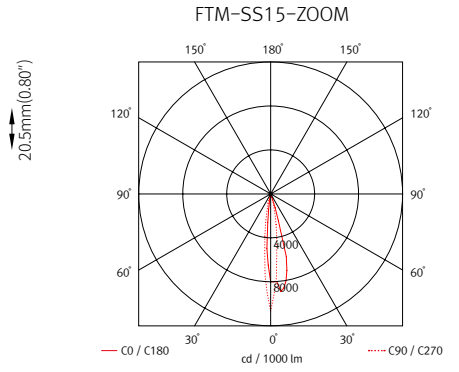
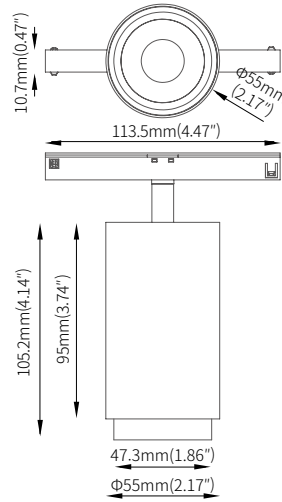
3000K performance data given. Refer to individual luminaire IES files for other CCTs.

Model Name	Power Input	Lamp Power	Luminous Flux	Luminous Efficacy	Color Rendering Index	Color Temperature (CCT)	Beam Angle	Weight of Luminaire	Operating Temperature
FTM-SS15 (color)-48V	DC 48V	15 W	1,077.6 lm	78.14lm/W	CRI > 90	2,700K/3,000K/4,000K	15° / 24° / 36°	245g (0.54lb)	0-45°C (32-113°F)

### ORDERING GUIDE Please refer to Page 8 for Track Compatibility.

MODEL	COLOR TEMPERATURE(CCT)	VOLTAGE	BODY FINISH	BEAM ANGLE
FTM-SS15	27K -2700K 30K -3000K 40K -4000K	48V	BK -Black WT -White	15° 24° 36°

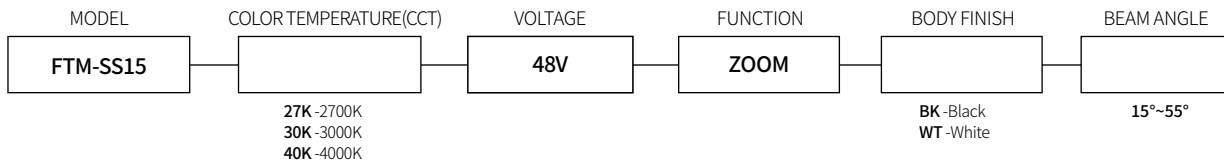
## FTM-SS15-ZOOM



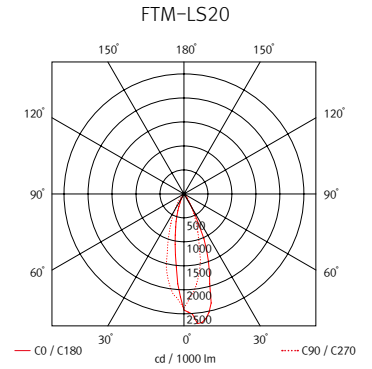
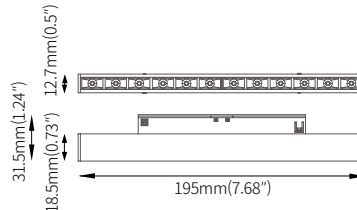
3000K performance data given. Refer to individual luminaire IES files for other CCTs.

Model Name	Power Input	Lamp Power	Luminous Flux	Luminous Efficacy	Color Rendering Index	Color Temperature (CCT)	Beam Angle	Weight of Luminaire	Operating Temperature
FTM-SS15 (color)-48V-ZOOM	DC 48V	15 W	1,089.8 lm	74.28lm/W	CRI > 90	2,700K/3,000K/4,000K	15° ~ 55°	269g (0.60lb)	0-45°C (32-113°F)

### ORDERING GUIDE Please refer to Page 8 for Track Compatibility.



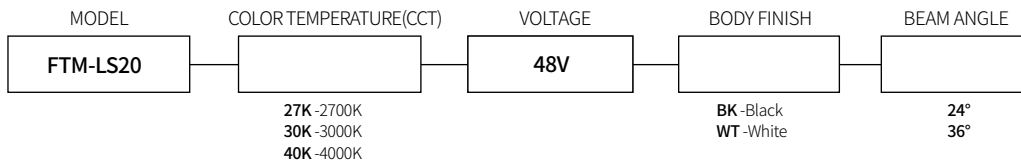
## FTM-LS20



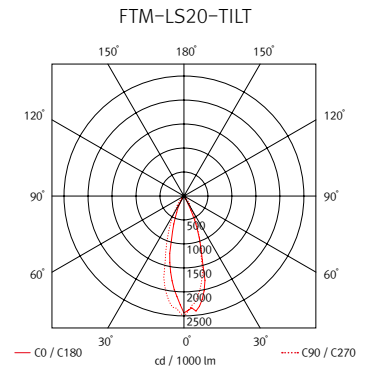
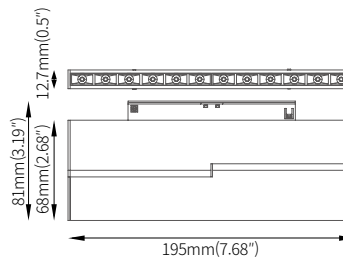
3000K performance data given. Refer to individual luminaire IES files for other CCTs.

Model Name	Power Input	Lamp Power	Luminous Flux	Luminous Efficacy	Color Rendering Index	Color Temperature (CCT)	Beam Angle	Weight of Luminaire	Operating Temperature
FTM-LS20 (color)-48V	DC 48V	10 W	521.5 lm	52.31lm/W	CRI > 90	2,700K/3,000K/4,000K	24° / 36°	78g (0.17lb)	0-45°C (32-113°F)

### ORDERING GUIDE Please refer to Page 8 for Track Compatibility.



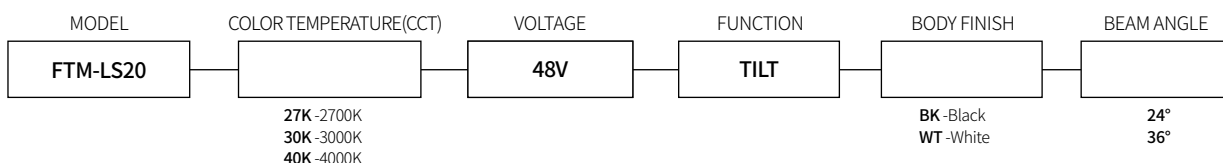
## FTM-LS20-TILT



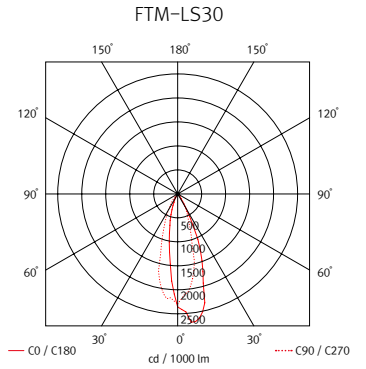
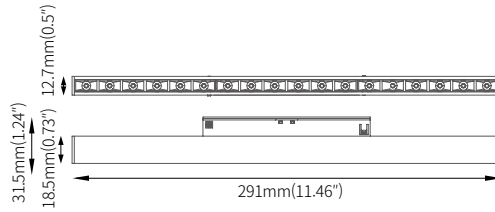
3000K performance data given. Refer to individual luminaire IES files for other CCTs.

Model Name	Power Input	Lamp Power	Luminous Flux	Luminous Efficacy	Color Rendering Index	Color Temperature (CCT)	Beam Angle	Weight of Luminaire	Operating Temperature
FTM-LS20 (color)-48V-TILT	DC 48V	10 W	496.8 lm	50.56lm/W	CRI > 90	2,700K/3,000K/4,000K	24° / 36°	197g (0.43lb)	0-45°C (32-113°F)

### ORDERING GUIDE Please refer to Page 8 for Track Compatibility.



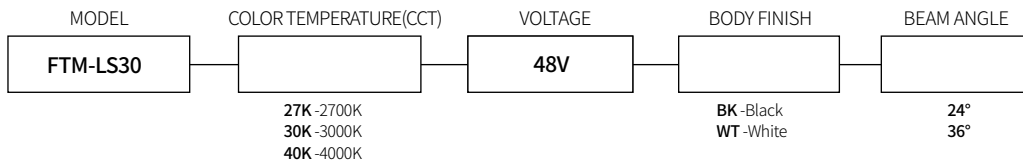
## FTM-LS30



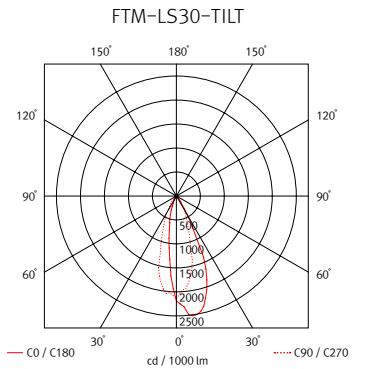
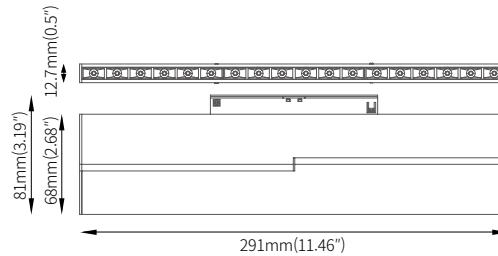
3000K performance data given. Refer to individual luminaire IES files for other CCTs.

Model Name	Power Input	Lamp Power	Luminous Flux	Luminous Efficacy	Color Rendering Index	Color Temperature (CCT)	Beam Angle	Weight of Luminaire	Operating Temperature
FTM-LS30 (color)-48V	DC 48V	15 W	713.7 lm	51.06 lm/W	CRI > 90	2,700K/3,000K/4,000K	24° / 36°	107g (0.24lb)	0-45°C (32-113°F)

### ORDERING GUIDE Please refer to Page 8 for Track Compatibility.



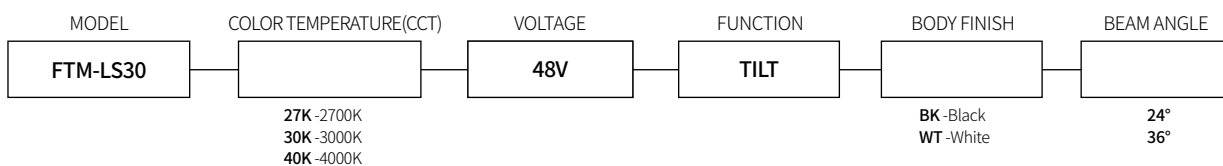
## FTM-LS30-TILT



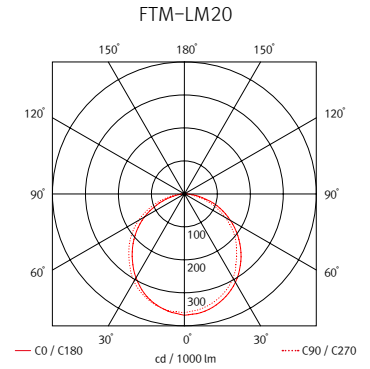
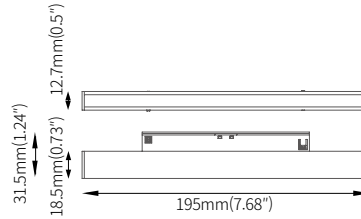
3000K performance data given. Refer to individual luminaire IES files for other CCTs.

Model Name	Power Input	Lamp Power	Luminous Flux	Luminous Efficacy	Color Rendering Index	Color Temperature (CCT)	Beam Angle	Weight of Luminaire	Operating Temperature
FTM-LS30 (color)-48V-TILT	DC 48V	15 W	733.2 lm	53.17lm/W	CRI > 90	2,700K/3,000K/4,000K	24° / 36°	276g (0.61lb)	0-45°C (32-113°F)

### ORDERING GUIDE Please refer to Page 8 for Track Compatibility.



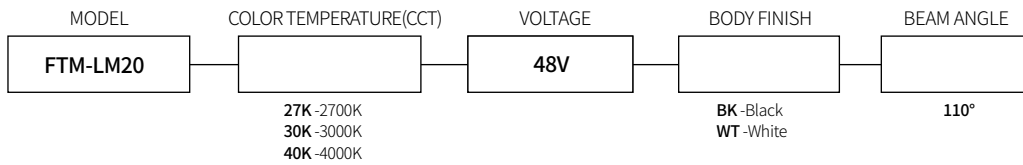
## FTM-LM20



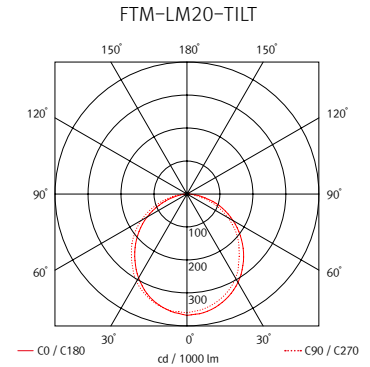
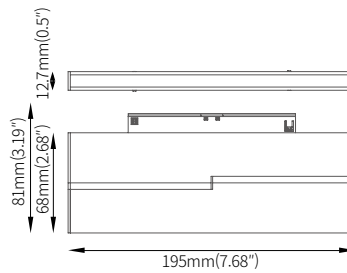
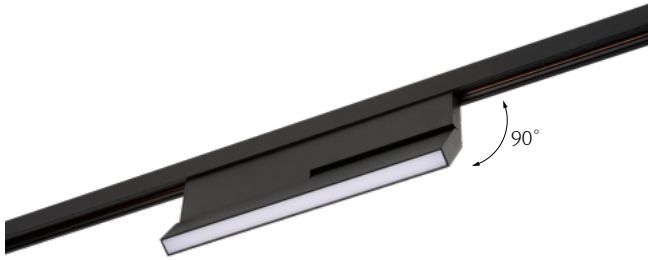
3000K performance data given. Refer to individual luminaire IES files for other CCTs.

Model Name	Power Input	Lamp Power	Luminous Flux	Luminous Efficacy	Color Rendering Index	Color Temperature (CCT)	Beam Angle	Weight of Luminaire	Operating Temperature
FTM-LM20 (color)-48V	DC 48V	10 W	475.4 lm	47.91 lm/W	CRI > 90	2,700K/3,000K/4,000K	110°	72g (0.16lb)	0-45°C (32-113°F)

### ORDERING GUIDE Please refer to Page 8 for Track Compatibility.



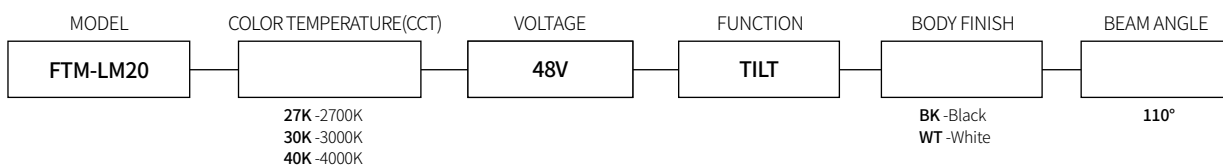
## FTM-LM20-TILT



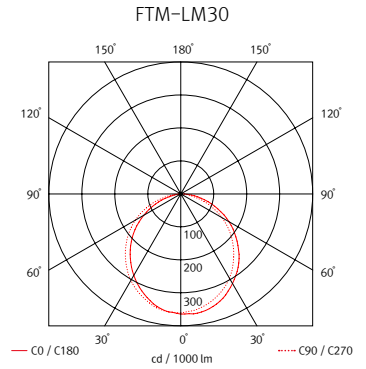
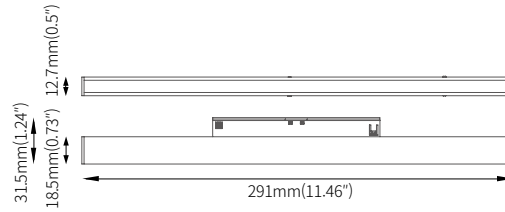
3000K performance data given. Refer to individual luminaire IES files for other CCTs.

Model Name	Power Input	Lamp Power	Luminous Flux	Luminous Efficacy	Color Rendering Index	Color Temperature (CCT)	Beam Angle	Weight of Luminaire	Operating Temperature
FTM-LM20 (color)-48V-TILT	DC 48V	10 W	455.1 lm	45.17 lm/W	CRI > 90	2,700K/3,000K/4,000K	110°	192g (0.42lb)	0-45°C (32-113°F)

### ORDERING GUIDE Please refer to Page 8 for Track Compatibility.



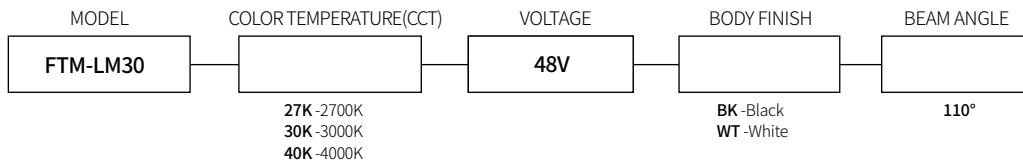
## FTM-LM30



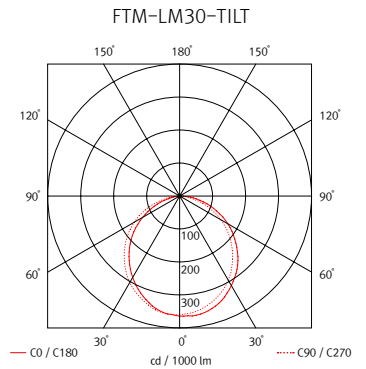
3000K performance data given. Refer to individual luminaire IES files for other CCTs.

Model Name	Power Input	Lamp Power	Luminous Flux	Luminous Efficacy	Color Rendering Index	Color Temperature (CCT)	Beam Angle	Weight of Luminaire	Operating Temperature
FTM-LM30 (color)-48V	DC 48V	15 W	724.5 lm	52.42 lm/W	CRI > 90	2,700K/3,000K/4,000K	110°	98g (0.22lb)	0-45°C (32-113°F)

### ORDERING GUIDE Please refer to Page 8 for Track Compatibility.



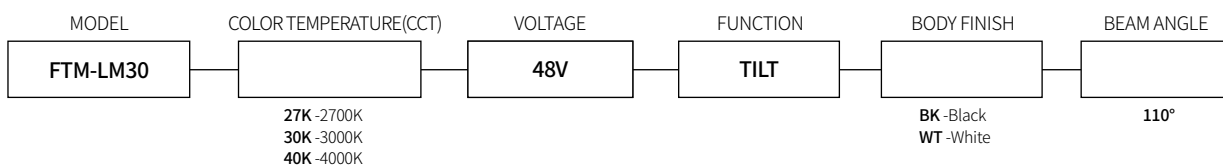
## FTM-LM30-TILT



3000K performance data given. Refer to individual luminaire IES files for other CCTs.

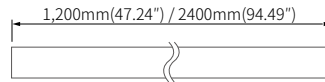
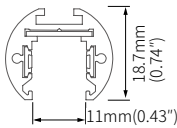
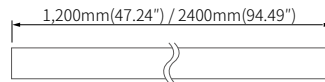
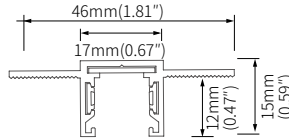
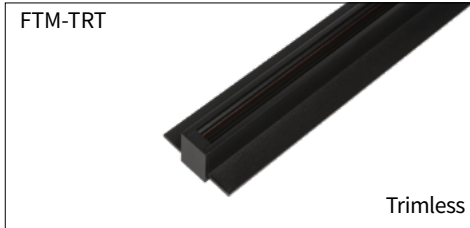
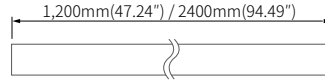
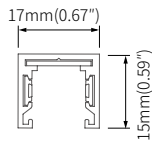
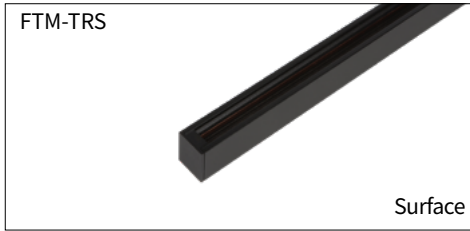
Model Name	Power Input	Lamp Power	Luminous Flux	Luminous Efficacy	Color Rendering Index	Color Temperature (CCT)	Beam Angle	Weight of Luminaire	Operating Temperature
FTM-LM30 (color)-48V-TILT	DC 48V	15 W	710.5 lm	53.38 lm/W	CRI > 90	2,700K/3,000K/4,000K	110°	269g (0.59lb)	0-45°C (32-113°F)

### ORDERING GUIDE Please refer to Page 8 for Track Compatibility.

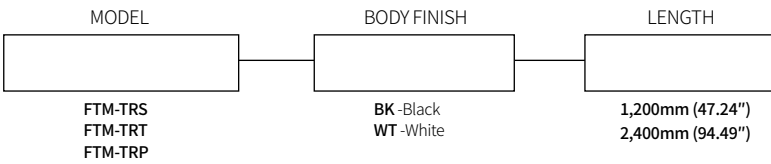




## FLT Mini Track



## ORDERING GUIDE



## COMPONENTS



**Power Connector**  
\_\_FTMOPC-BK  
\_\_FTMOPC-WT



**Flexible Connector**  
\_\_FTMPTC-BK  
\_\_FTMPTC-WT



**Direct Connector**  
\_\_FTMCPL



**Suspension Power Kit for TRP**  
\_\_FTM-SK-POWER-BK



**Joint Bracket for FLT Mini Track**  
\_\_FTM-JOINT-BK



**LED Driver**  
\_\_FLC200-48V/T  
\_\_FLC100-48V/T