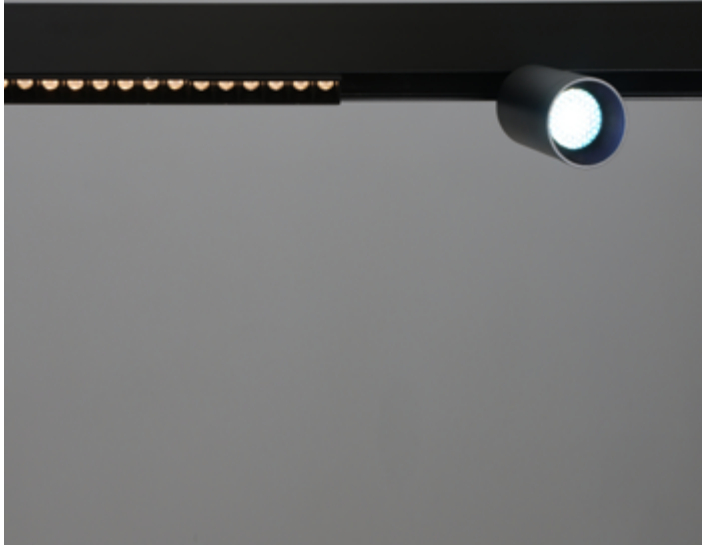


DATE

PROJECT

TYPE



FLT Track System

Magnetic Low Voltage Track System



PRODUCT FEATURES

- Multiple luminaire options with various beams for maximum design flexibility
- Dual magnetic/mechanical system for secured luminaires
- Surface, Recessed and Pendant mount track available
- Double Joint Spot and H-track up and down double-sided track available
- Easy installation
- Dimmable
- 150W per Power Feed

PRODUCT SPECIFICATIONS

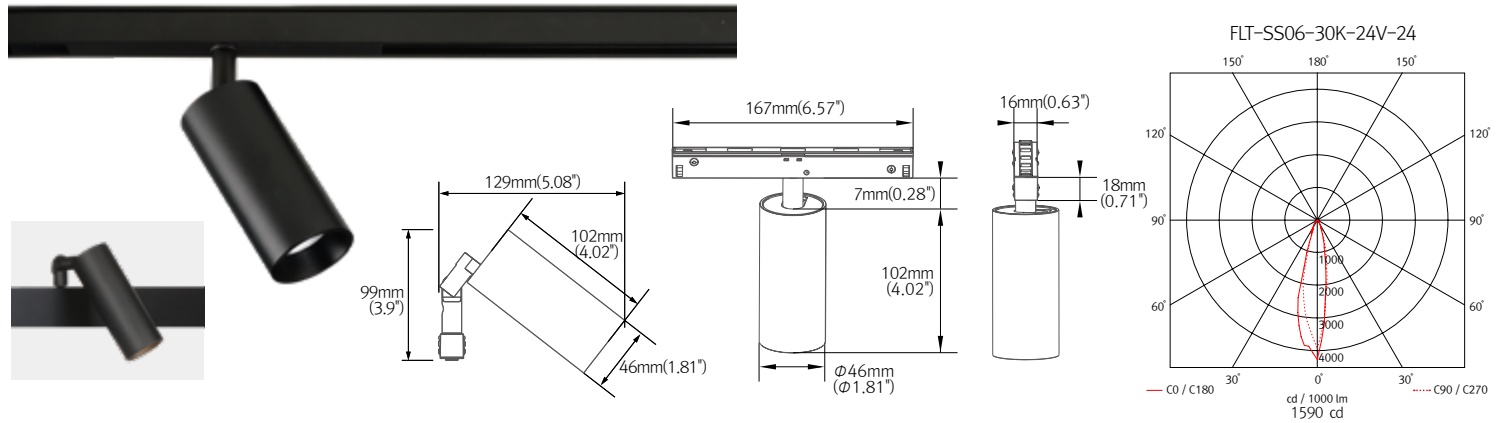
- Voltage: DC 24V
- Operating Temperature: 0-45°C (32° F-32° F)
- Lamp Life: 50,000 hrs / 70%
- Finishes: Black, White
- Color Rendering : CRI > 90
- Dimming: 0-10V, DALI, Forward/Reverse (with interface)

SPECIFICATION-FIXTURES

Performance data shown below for 3000K CCT. Refer to individual luminaire IES files for other CCT options.

Model Name	Power Input	Lamp Power	Luminous Flux	Luminous Efficacy	Color Rendering Index	Color Temperature(CCT)	Beam Angle	Operating Temperature
FLT-SS06 (color)-24V	DC 24V	6.3W	438.1 lm	69.7 lm/W	CRI > 90	* 2,700K/3,000K/3,500K/4,000K	15°/24°/36°	0-45°C
FLT-SS09 (color)-24V	DC 24V	8.9W	689 lm	77.64 lm/W	CRI > 90	* 2,700K/3,000K/3,500K/4,000K	15°/24°/36°	0-45°C
FLT-SS15 (color)-24V	DC 24V	14.75 W	1,068.8 lm	72.41 lm/W	CRI > 90	* 2,700K/3,000K/3,500K/4,000K	15°/24°/36°	0-45°C
FLT-SS20 (color)-24V	DC 24V	20.8W	1,510 lm	72.48 lm/W	CRI > 90	* 2,700K/3,000K/3,500K/4,000K	15°/24°/36°	0-45°C
FLT-SL06 (color)-24V	DC 24V	6.3W	435 lm	68.9 lm/W	CRI > 90	* 2,700K/3,000K/3,500K/4,000K	15°/24°/36°	0-45°C
FLT-SM02 (color)-24V	DC 24V	1.7W	98 lm	58.6 lm/W	CRI > 90	* 2,700K/3,000K/3,500K/4,000K	15°/24°/36°	0-45°C
FLT-SM12 (color)-24V	DC 24V	12W	1,025 lm	85.4 lm/W	CRI > 90	* 2,700K/3,000K/3,500K/4,000K	15°/24°/36°	0-45°C
FLT-LS10 (color)-24V-L	DC 24V	4W	329 lm	84.2 lm/W	CRI > 90	* 2,700K/3,000K/3,500K/4,000K	21°/40°/52°	0-45°C
FLT-LS30 (color)-24V-L	DC 24V	11.5W	1,049 lm	80 lm/W	CRI > 90	* 2,700K/3,000K/3,500K/4,000K	21°/40°/52°	0-45°C
FLT-LM30 (color)-24V	DC 24V	10.3W	787.5 lm	76.5 lm/W	CRI > 90	* 2,700K/3,000K/3,500K/4,000K	130°	0-45°C
FLT-SP20 (color)-24V	DC 24V	2.3W	114 lm	50.54 lm/W	CRI > 90	* 2,700K/3,000K/3,500K/4,000K	15°/24°/36°	0-45°C
FLT-SP30 (color)-24V	DC 24V	2.3W	113.62 lm	50.44 lm/W	CRI > 90	* 2,700K/3,000K/3,500K/4,000K	15°/24°/36°	0-45°C

FLT-SS06



3000K performance data given. Refer to individual luminaire IES files for other CCTs.

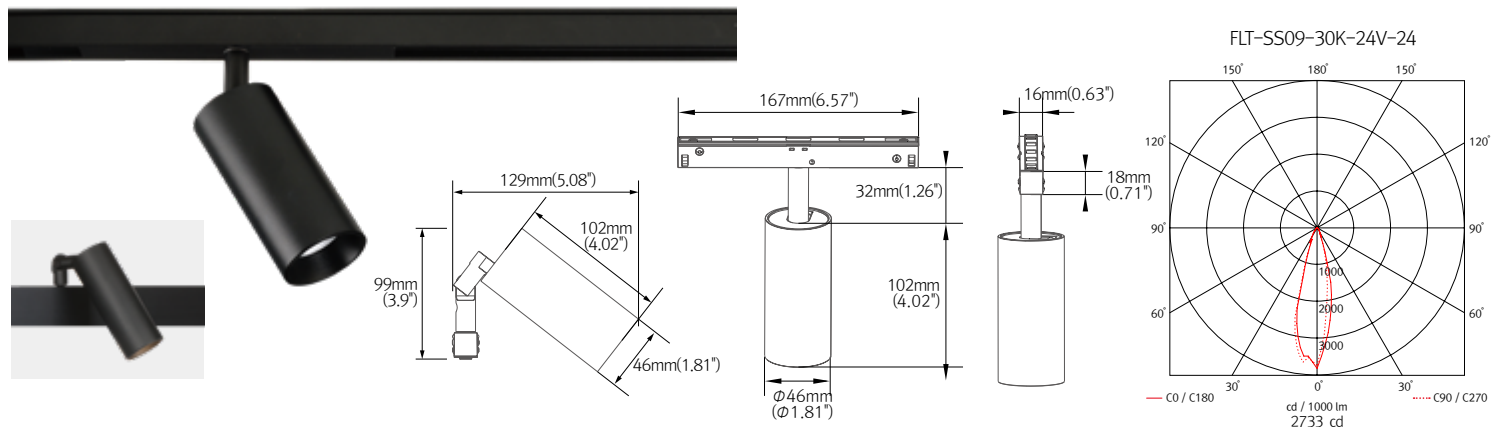
* FLT-SS06 Double Joint available

Model Name	Power Input	Lamp Power	Luminous Flux	Luminous Efficacy	Color Rendering Index	Color Temperature (CCT)	Beam Angle	Weight of Luminaire	Operating Temperature
FLT-SS06 (color)-24V	DC 24V	6.3 W	438.1 lm	69.7 lm/W	CRI > 90	+2700K/3000K/3500K/4000K	15° / 24° / 36°	222g	0-45°C

ORDERING GUIDE Please refer to Page 11 for Track Compatibility.

MODEL	COLOR TEMPERATURE(CCT)	VOLTAGE	BODY FINISH	BEAM ANGLE
FLT-SS06	27K -2700K 30K -3000K 35K -3500K 40K -4000K	24V	BK -Black WT -White	15° 24° 36°

FLT-SS09



3000K performance data given. Refer to individual luminaire IES files for other CCTs.

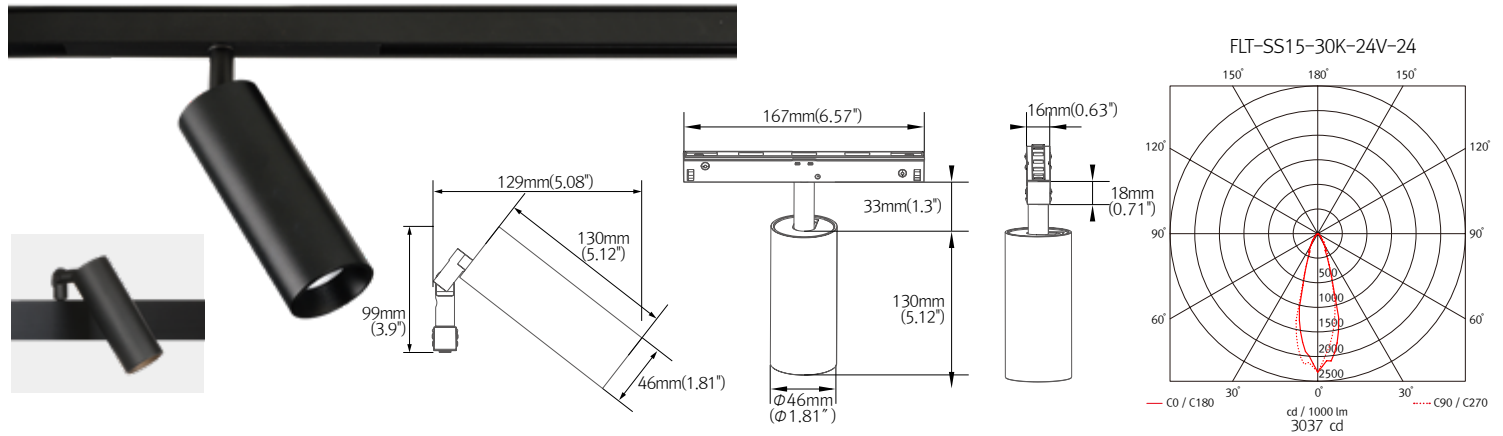
* FLT-SS09 Double Joint available

Model Name	Power Input	Lamp Power	Luminous Flux	Luminous Efficacy	Color Rendering Index	Color Temperature (CCT)	Beam Angle	Weight of Luminaire	Operating Temperature
FLT-SS09 (color)-24V	DC 24V	8.9 W	689 lm	77.64 lm/W	CRI > 90	+2700K/3000K/3500K/4000K	15° / 24° / 36°	226g	0-45°C

ORDERING GUIDE Please refer to Page 11 for Track Compatibility.

MODEL	COLOR TEMPERATURE(CCT)	VOLTAGE	BODY FINISH	BEAM ANGLE
FLT-SS09	27K -2700K 30K -3000K 35K -3500K 40K -4000K	24V	BK -Black WT -White	15° 24° 36°

FLT-SS15



3000K performance data given. Refer to individual luminaire IES files for other CCTs.

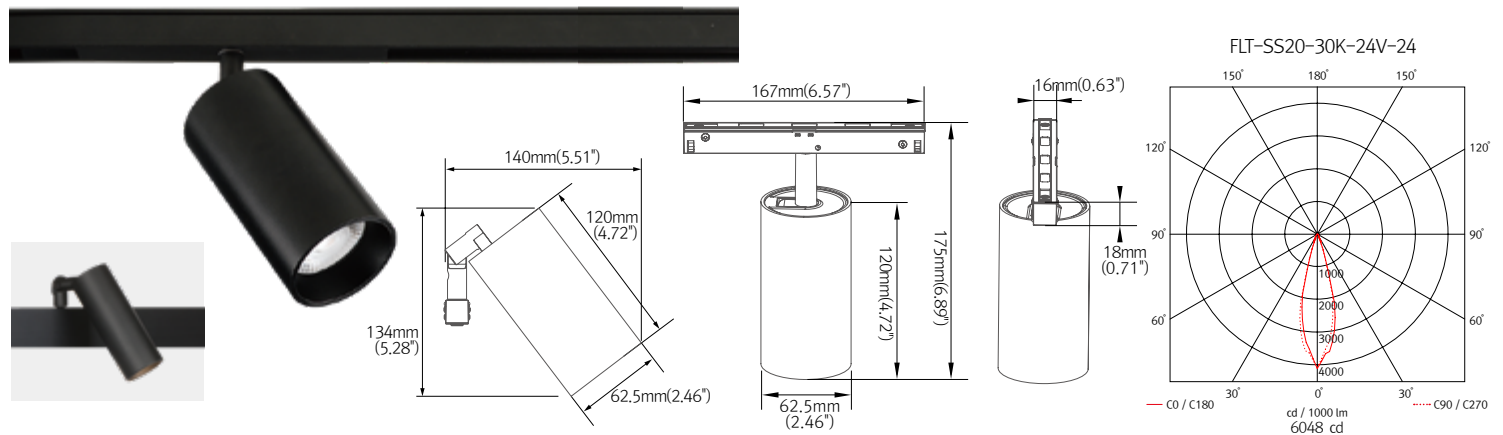
* FLT-SS15 Double Joint available

Model Name	Power Input	Lamp Power	Luminous Flux	Luminous Efficacy	Color Rendering Index	Color Temperature (CCT)	Beam Angle	Weight of Luminaire	Operating Temperature
FLT-SS15 (color)-24V	DC 24V	14.75 W	1068.8 lm	72.41 lm/W	CRI > 90	+2700K/3000K/3500K/4000K	15° / 24° / 36°	294g	0-45°C

ORDERING GUIDE Please refer to Page 11 for Track Compatibility.

MODEL	COLOR TEMPERATURE(CCT)	VOLTAGE	BODY FINISH	BEAM ANGLE
FLT-SS15	27K -2700K 30K -3000K 35K -3500K 40K -4000K	24V	BK -Black WT -White	15° 24° 36°

FLT-SS20



3000K performance data given. Refer to individual luminaire IES files for other CCTs.

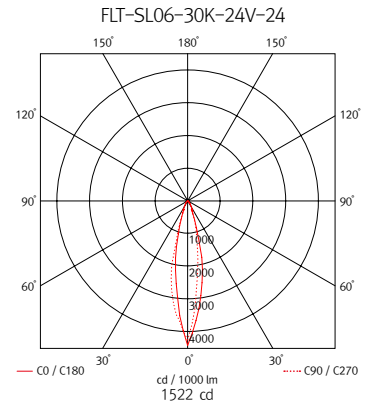
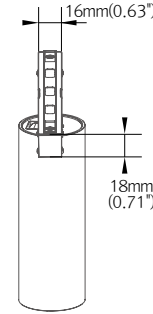
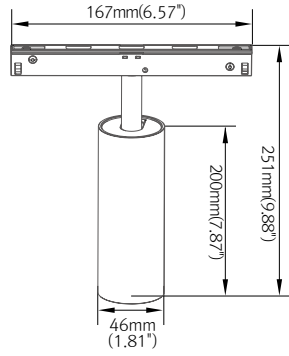
* FLT-SS20 Double Joint available

Model Name	Power Input	Lamp Power	Luminous Flux	Luminous Efficacy	Color Rendering Index	Color Temperature (CCT)	Beam Angle	Weight of Luminaire	Operating Temperature
FLT-SS20 (color)-24V	DC 24V	20.84 W	1510 lm	72.48 lm/W	CRI > 90	+2700K/3000K/3500K/4000K	15° / 24° / 36°	358g	0-45°C

ORDERING GUIDE Please refer to Page 11 for Track Compatibility.

MODEL	COLOR TEMPERATURE(CCT)	VOLTAGE	BODY FINISH	BEAM ANGLE
FLT-SS20	27K -2700K 30K -3000K 35K -3500K 40K -4000K	24V	BK -Black WT -White	15° 24° 36°

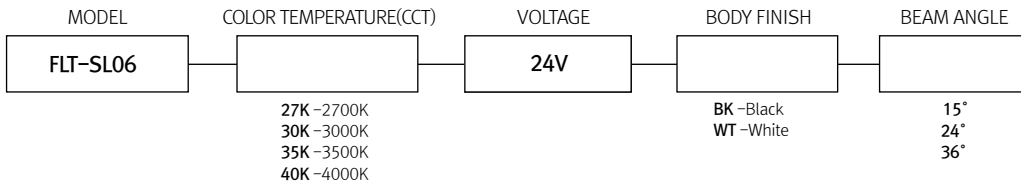
FLT-SL06



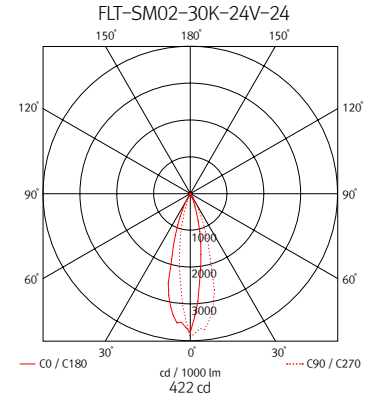
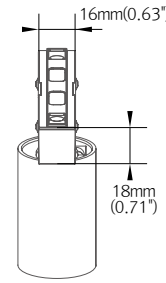
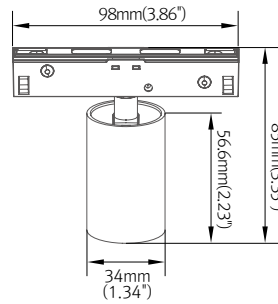
3000K performance data given. Refer to individual luminaire IES files for other CCTs.

Model Name	Power Input	Lamp Power	Luminous Flux	Luminous Efficacy	Color Rendering Index	Color Temperature (CCT)	Beam Angle	Weight of Luminaire	Operating Temperature
FLT-SL06 (color)-24V	DC 24V	6.3 W	435 lm	68.9 lm/W	CRI > 90	*2700K/3000K/3500K/4000K	15° / 24° / 36°	335g	0-45°C

ORDERING GUIDE Please refer to Page 11 for Track Compatibility.



FLT-SM02



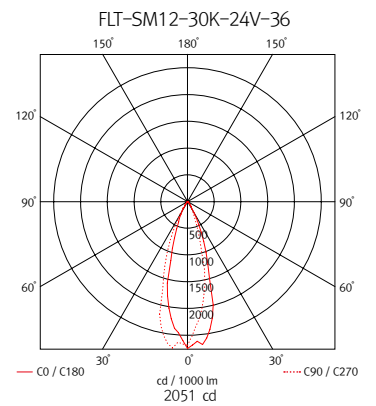
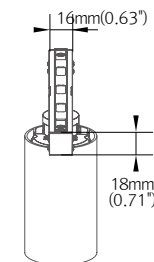
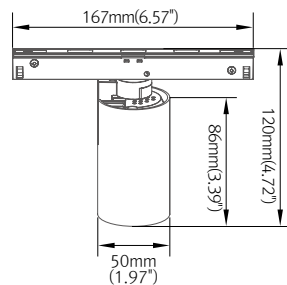
3000K performance data given. Refer to individual luminaire IES files for other CCTs.

Model Name	Power Input	Lamp Power	Luminous Flux	Luminous Efficacy	Color Rendering Index	Color Temperature (CCT)	Beam Angle	Weight of Luminaire	Operating Temperature
FLT-SM02 (color)-24V	DC 24V	1.7 W	98 lm	58.6 lm/W	CRI > 90	+2700K/3000K/3500K/4000K	15°/24°/36°	117g	0-45°C

ORDERING GUIDE Please refer to Page 11 for Track Compatibility.

MODEL	COLOR TEMPERATURE(CCT)	VOLTAGE	BODY FINISH	BEAM ANGLE
FLT-SM02	27K -2700K 30K -3000K 35K -3500K 40K -4000K	24V	BK -Black WT -White	15° 24° 36°

FLT-SM12



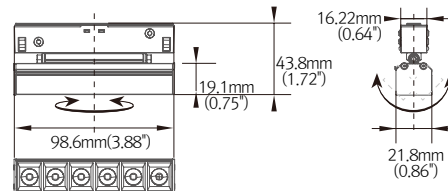
3000K performance data given. Refer to individual luminaire IES files for other CCTs.

Model Name	Power Input	Lamp Power	Luminous Flux	Luminous Efficacy	Color Rendering Index	Color Temperature (CCT)	Beam Angle	Weight of Luminaire	Operating Temperature
FLT-SM12 (color)-24V	DC 24V	12 W	1025 lm	85.4 lm/W	CRI > 90	+2700K/3000K/3500K/4000K	15°/24°/36°	240g	0-45°C

ORDERING GUIDE Please refer to Page 11 for Track Compatibility.

MODEL	COLOR TEMPERATURE(CCT)	VOLTAGE	BODY FINISH	BEAM ANGLE
FLT-SM12	27K -2700K 30K -3000K 35K -3500K 40K -4000K	24V	BK -Black WT -White	15° 24° 36°

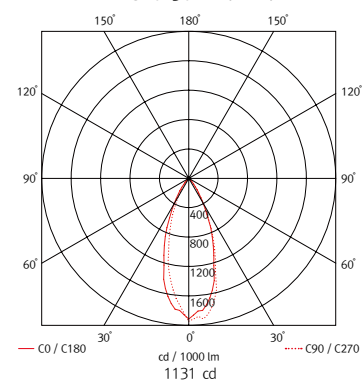
FLT-LS10-L



3000K performance data given. Refer to individual luminaire IES files for other CCTs.

Model Name	Power Input	Lamp Power	Luminous Flux	Luminous Efficacy	Color Rendering Index	Color Temperature (CCT)	Beam Angle	Weight of Luminaire	Operating Temperature
FLT-LS10(color)-24V-L	DC 24V	4 W	329 lm	84.2 lm/W	CRI90 SDCM<3	*2700K /3000K /3500K /4000K	21° 40° 52°	108g	0-45°C

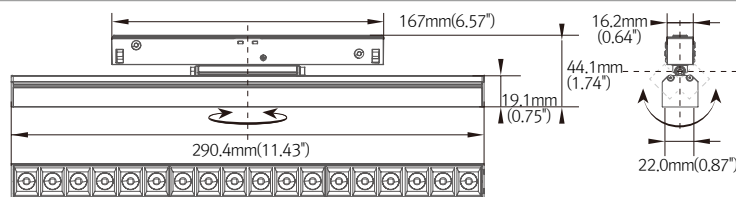
FLT-LS10-30K-24V-24-L



ORDERING GUIDE Please refer to Page 11 for Track Compatibility.

MODEL	COLOR TEMPERATURE(CCT)	VOLTAGE	BODY FINISH	BEAM ANGLE
FLT-LS10-L	27K -2700K 30K -3000K 35K -3500K 40K -4000K	24V	BK -Black WT -White	21° 40° 52°

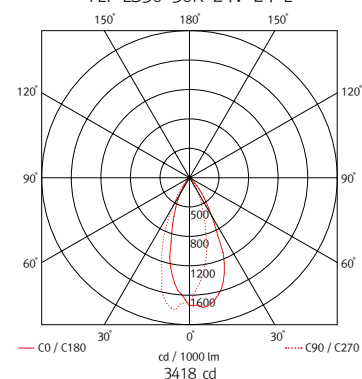
FLT-LS30-L



3000K performance data given. Refer to individual luminaire IES files for other CCTs.

Model Name	Power Input	Lamp Power	Luminous Flux	Luminous Efficacy	Color Rendering Index	Color Temperature (CCT)	Beam Angle	Weight of Luminaire	Operating Temperature
FLT-LS30(color)-24V-L	DC 24V	12W	1049lm	80 lm/W	CRI90 SDCM<3	*2700K /3000K /3500K /4000K	21° 40° 52°	181g	0-45°C

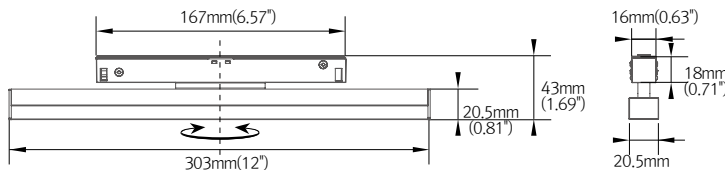
FLT-LS30-30K-24V-24-L



ORDERING GUIDE Please refer to Page 11 for Track Compatibility.

MODEL	COLOR TEMPERATURE(CCT)	VOLTAGE	BODY FINISH	BEAM ANGLE
FLT-LS30-L	27K -2700K 30K -3000K 35K -3500K 40K -4000K	24V	BK -Black WT -White	21° 40° 52°

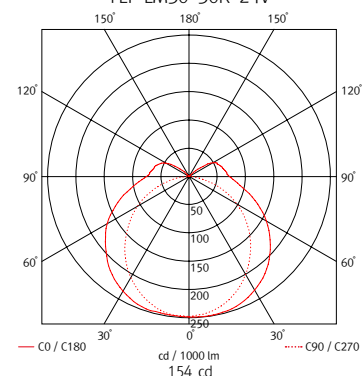
FLT-LM30



3000K performance data given. Refer to individual luminaire IES files for other CCTs.

Model Name	Power Input	Lamp Power	Luminous Flux	Luminous Efficacy	Color Rendering Index	Color Temperature (CCT)	Beam Angle	Weight of Luminaire	Operating Temperature
FLT-LM30(color)-24V	DC 24V	10.3W	787.5lm	76.5 lm/W	CRI90 SDCM<3	*2700K /3000K /3500K /4000K	130°	158g	0-45°C

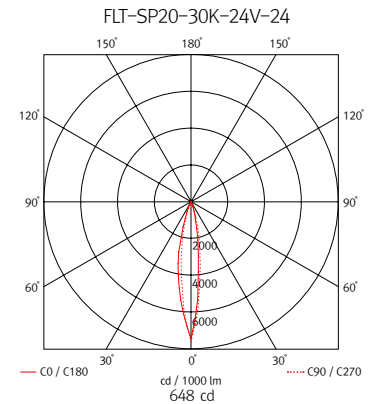
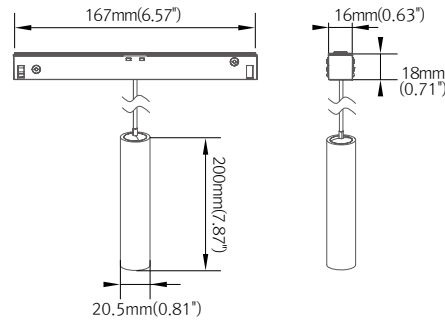
FLT-LM30-30K-24V



ORDERING GUIDE Please refer to Page 11 for Track Compatibility.

MODEL	COLOR TEMPERATURE(CCT)	VOLTAGE	BODY FINISH	BEAM ANGLE
FLT-LM30	27K -2700K 30K -3000K 35K -3500K 40K -4000K	24V	BK -Black WT -White	130°

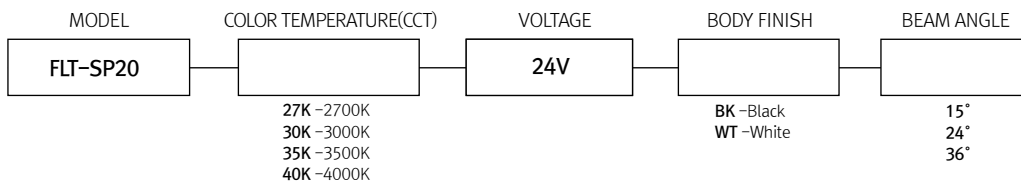
FLT-SP20



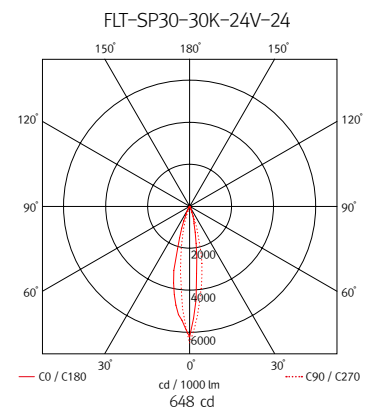
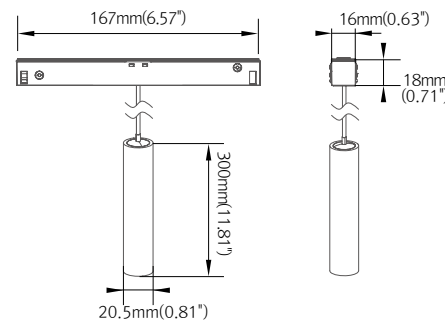
3000K performance data given. Refer to individual luminaire IES files for other CCTs.

Model Name	Power Input	Lamp Power	Luminous Flux	Luminous Efficacy	Color Rendering Index	Color Temperature (CCT)	Beam Angle	Weight of Luminaire	Operating Temperature
FLT-SP20 (color)-24V	DC 24V	2.8 W	80.6 lm	28.7 lm/W	CRI > 90	+2700K/3000K/3500K/4000K	15°/24°/36°	213g	0-45°C

ORDERING GUIDE Please refer to Page 11 for Track Compatibility.



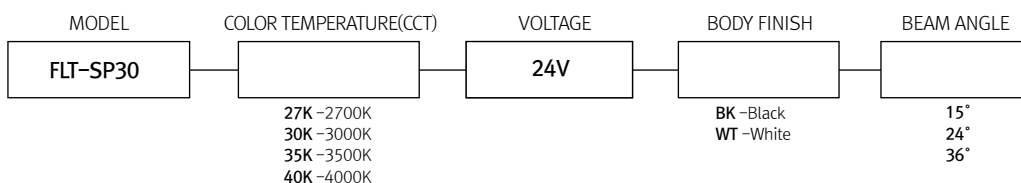
FLT-SP30



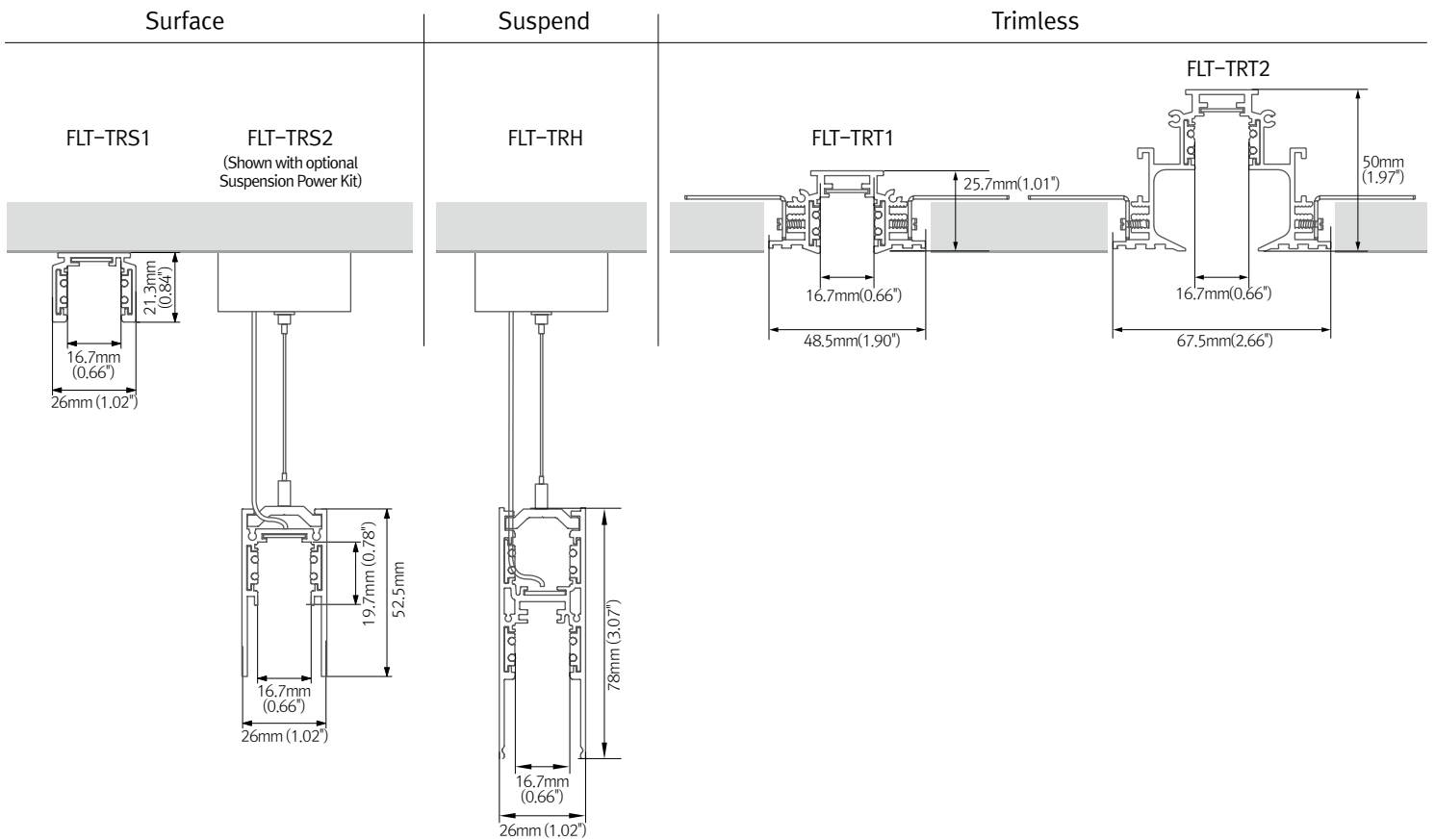
3000K performance data given. Refer to individual luminaire IES files for other CCTs.

Model Name	Power Input	Lamp Power	Luminous Flux	Luminous Efficacy	Color Rendering Index	Color Temperature (CCT)	Beam Angle	Weight of Luminaire	Operating Temperature
FLT-SP30 (color)-24V	DC 24V	2.8 W	80.6 lm	28.7 lm/W	CRI > 90	+2700K/3000K/3500K/4000K	15°/24°/36°	294g	0-45°C

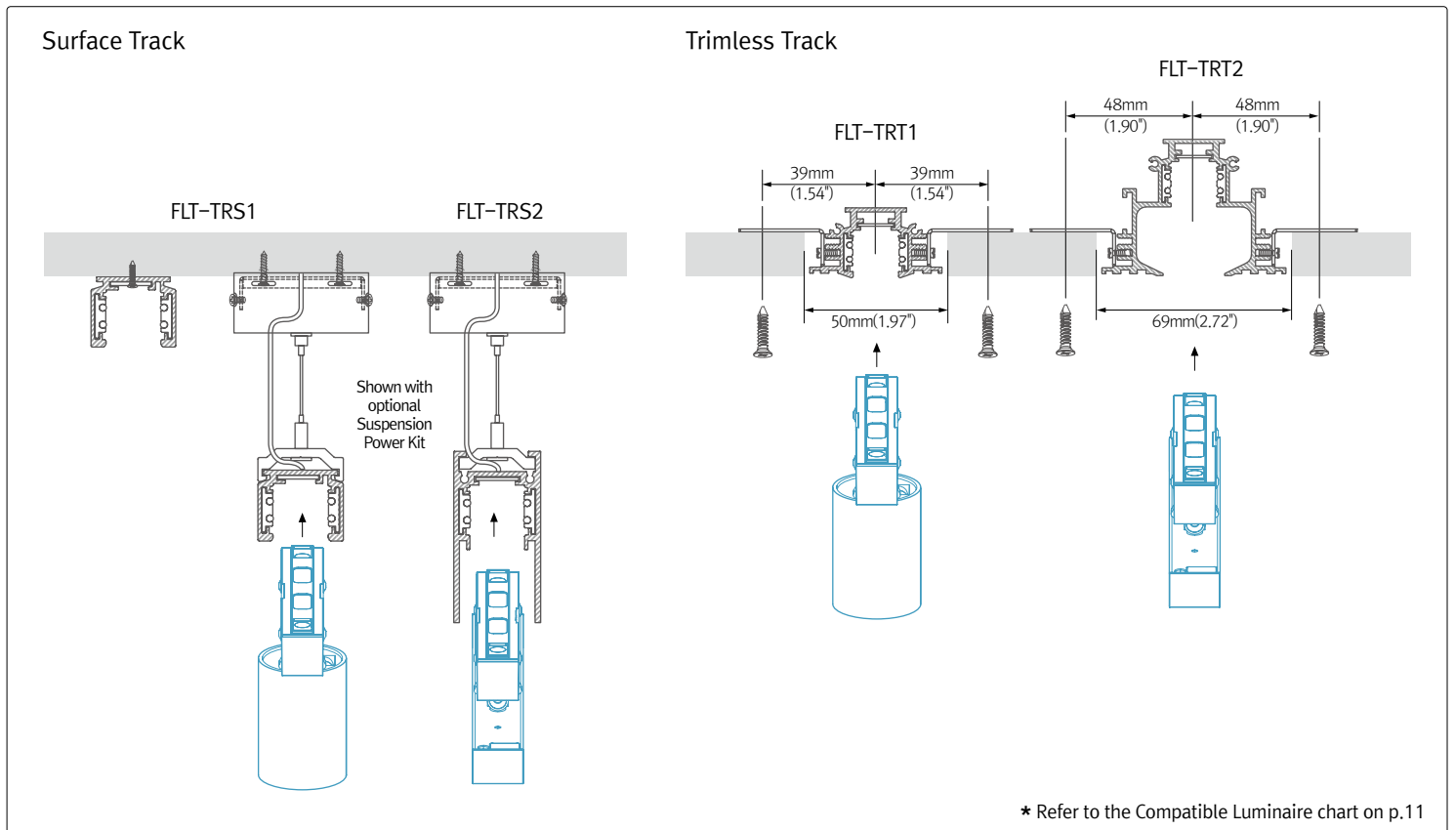
ORDERING GUIDE Please refer to Page 11 for Track Compatibility.



Dimension

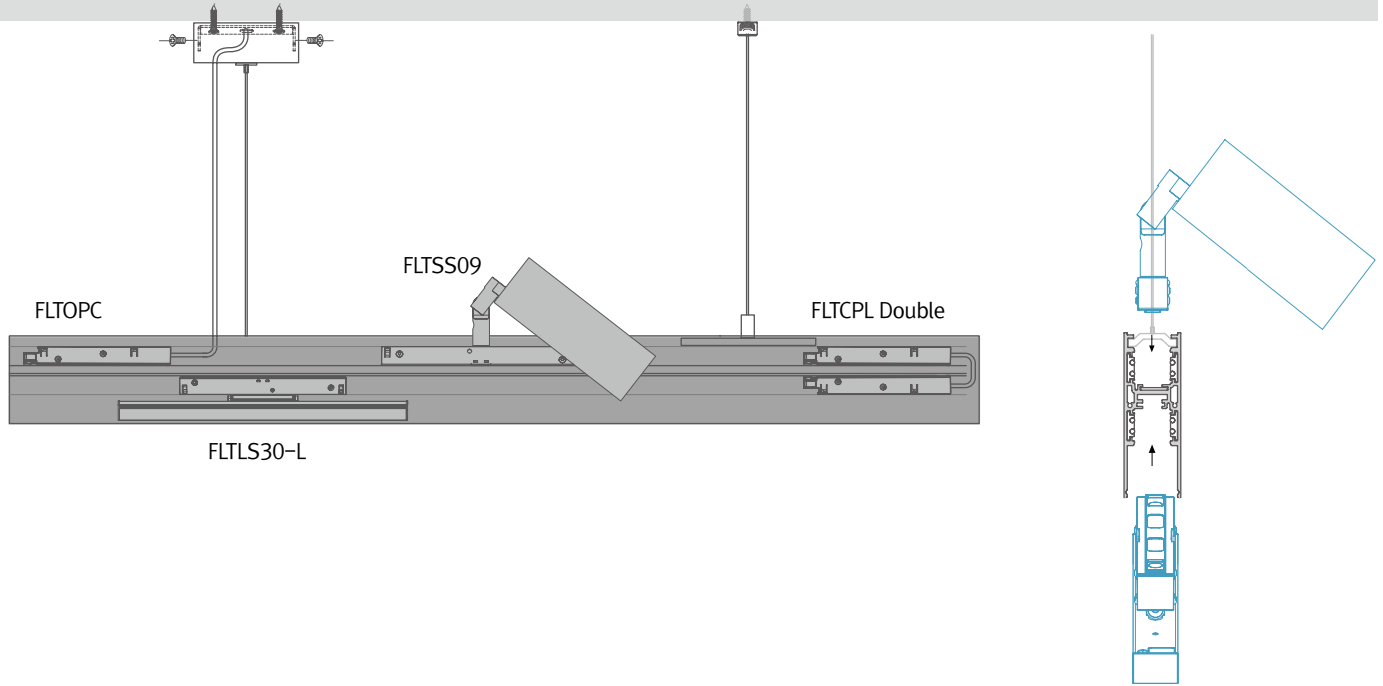


Installation *



* Refer to the Compatible Luminaire chart on p.11


Suspend Track

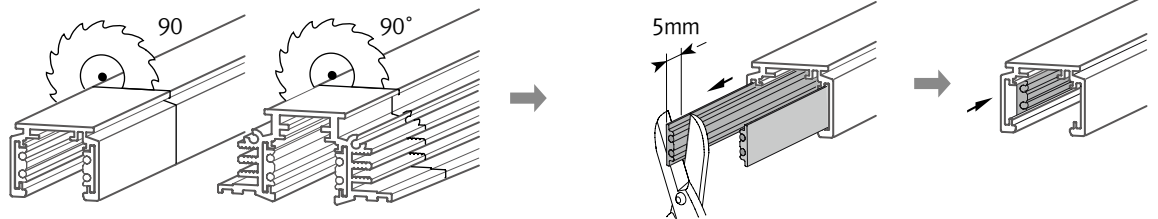


Extrusion length

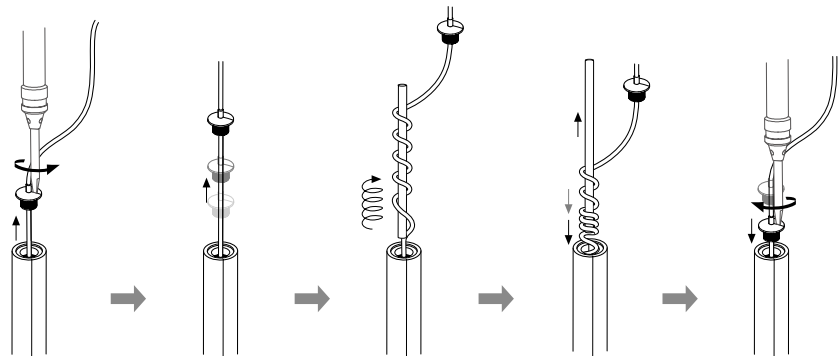
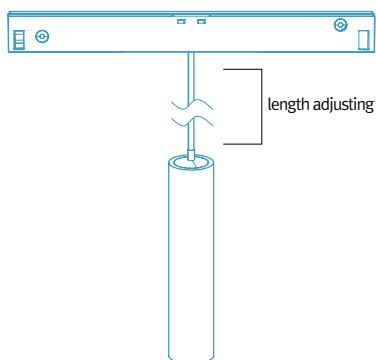
Cutting track

1200mm,
2400mm

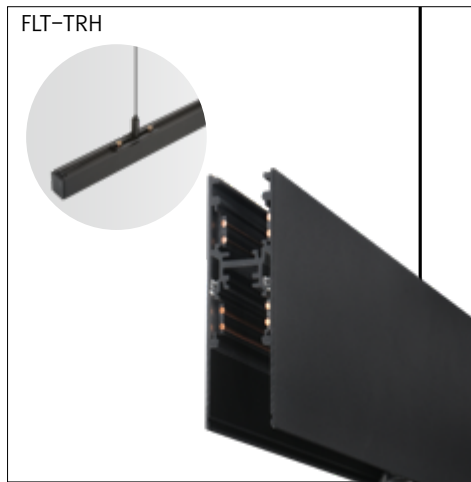
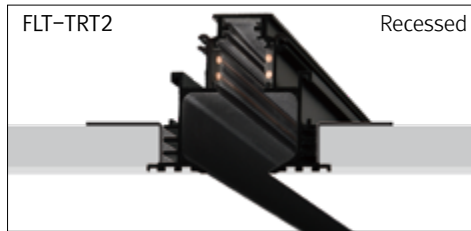
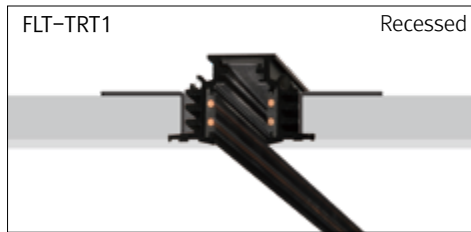
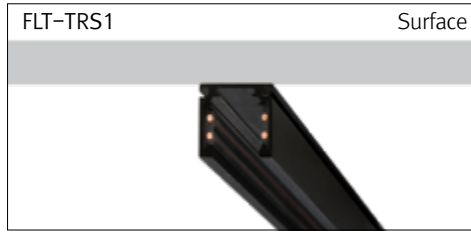
 Use special pliers to trim the ends of all 4 copper conductors, then remove and discard the trimmings.



FLT-SP20, SP30 length adjusting



FLT Track



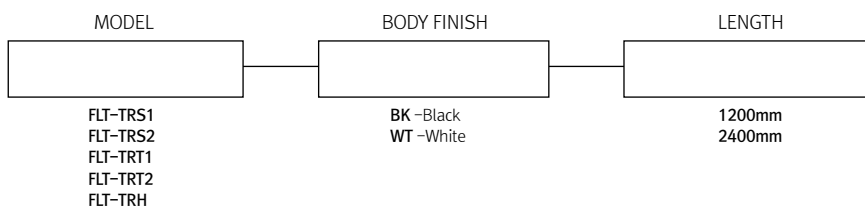
Compatible Luminaires					
Luminaire	FLT-TRS1	FLT-TRS2	FLT-TRT1	FLT-TRT2	FLT-TRH
FLT-SS06	○	○	○	○	○
FLT-SS06-Double joint	○	○	○	○	○
FLT-SS09 *	○	○	○	○	○
FLT-SS09-Double joint	○	○	○	○	○
FLT-SS15	○	○	○	○	○
FLT-SS15-Double joint	○	○	○	○	○
FLT-SS20	○	○	○	○	○
FLT-SS20-Double joint	○	○	○	○	○
FLT-SL06	○	○	○	○	○
FLT-SM02	○		○		
FLT-SM12	○		○		
FLT-LS15 *	○	○	○	○	○
FLT-LS30 *	○	○	○	○	○
FLT-LM30 *	○	○	○	○	○
FLT-SP20	○	○	○	○	○
FLT-SP30	○	○	○	○	○

*Installation into the FLT-TRS2 track or the FLT-TRT2 track disables the ability to tilt and rotate the luminaire.



-Double joint

ORDERING GUIDE

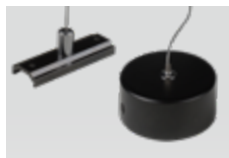


Components

BK : Black / WT : white



Power Connector
_FLTOPC-BK
_FLTOPC-WT



Suspension Power Kit for TRS1
_FLT-SK-POWER1-BK
_FLT-SK-POWER1-WT



90 degree connector for TRT1
_FLT-TRT1-90



Direct Connector
_FLTCPL-BK
_FLTCPL-WT



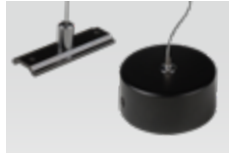
Suspension Bracket for TRS1
_FLT-SK-BRACKET1-BK
_FLT-SK-BRACKET1-WT



90 degree connector for TRT2
_FLT-TRT2-90



Direct Connector (Non-conductive)
_FLTCPL-NC-BK
_FLTCPL-NC-WT



Suspension Power Kit for TRS2
_FLT-SK-POWER2-BK
_FLT-SK-POWER2-WT



LED Drivers
_FLC30-24V/T
_FLC75-24V/T
with distributor and power cord (70" (1800mm))



90° Connector
_FLTCPL-90-BK
_FLTCPL-90-WT



Suspension Bracket for TRS2
_FLT-SK-BRACKET2-BK
_FLT-SK-BRACKET2-WT



LED Drivers
_FLC200-24V/T



90° Connector (Non-conductive)
_FLTCPL-90-NC-BK
_FLTCPL-90-NC-WT



Joint Bracket for TRS1
_FLT-TRS1-JOINT-BK



Dimming Interface (0-10V)
_FDC-L10
Max. 100W (100W/CH, 1CH)



Flexible Connector
_FLTPTC- FLEX-BK
_FLTPTC- FLEX-WT



Joint Bracket for TRS2
_FLT-TRS2-JOINT-BK
_FLT-TRS2-JOINT-WT



Dimming Interface (0-10V, DMX512)
_FDA-L2M0
Max. 100W (100W/CH, 2CH)
_FDA-L5M
Max. 200W (50W/CH, 5CH)



Color Filter
_FLT-Filter-20/R.G.B.Y
(For SS20)
_FLT-Filter-09/R.G.B.Y
(For SS06,09,15)



Joint Bracket for TRT1,2
_FLT-TRT-JOINT-BK



Dimming Interface (DALI)
_FDD-L1DA
Max. 200W (100W/feed, 2feeds)



Honeycomb
_FLT-Honeycomb-20
(For SS20)
_FLT-Honeycomb-09
(For SS06,09,15)

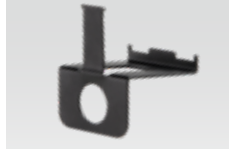


Holder for TRT1 Track
_FLT-TRT1-HOLDER

Hold Track when installing



Anti-Glare Hood
_FLT-Hood-20
(For SS20)
_FLT-Hood-09
(For SS06,09,15)



Holder for TRT2 Track
_FLT-TRT2-HOLDER

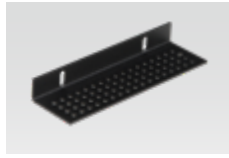
Hold Track when installing



Color Filter



Honeycomb



TRT WING for Trimless Track
_FLT-TRT-WING



Fixture Remover
_FLT-REMOVER