



FDD-L20

Dim to Warm, Tunable White,
0-10V/1-10V 2CH dimming interface

DATE

PROJECT

TYPE

PRODUCT FEATURES

- Slim interface with multiple functions.
- Dim to warm mode
- Tunable white mode
- Quick mode change with a function switch
- Dip Switch to select 0-10V and 1-10V mode.
- 1CH Max 200W, Total 2CH, Max 400W

INPUT

- Voltage : DC 24V~48V
- Current : Max 8.3A

CONTROL

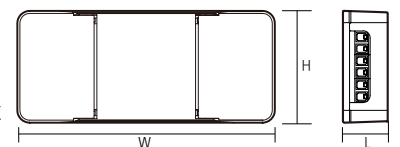
- 0-10/1-10 Control Input Signal

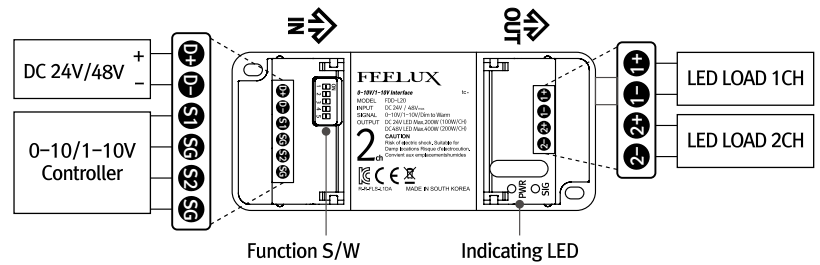
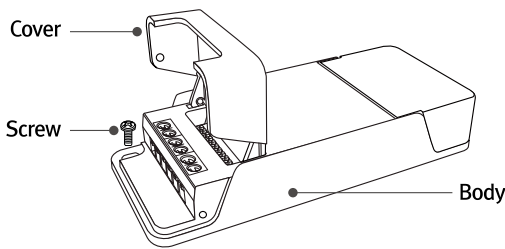
OUTPUT

- Voltage : DC 24V~48V
- Power : Max 200W/24V (Max 100W Per Channel)
Max 400W/48V (Max 100W Per Channel)
- Current : Max 8.3A(Max 4.15A Per Channel)

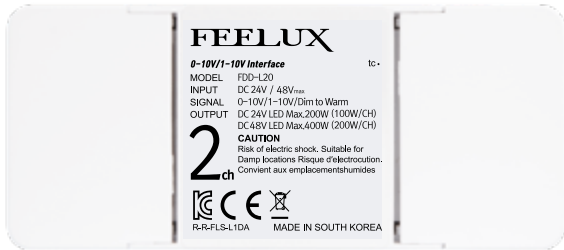
OTHER

- Length(L) : 20mm
- Width(W) : 108mm
- Height(H) : 47mm
- Weight : 60g
- Operating Temperature : 0 to 50° C





Recommended Fixture



FDD-L20

FLXible Neon 2 Dual (FN2)

FLXible Neon 1 Dual (FN1)

FLX Stix DDPPro (DDP)

FLX Spot DVS Swivel Dual

Specification

Model Number	Power Input	Lamp Power	Lumens	Efficiency	Color Temperature	Operating Temperature
FN1 SC-24V-1M	DC 24V	19.2 W	505 lm	27 lm/W	2,200K ~ 4,000K	-10°C ~ 50°C
FN2 SC-24V-1M	DC 24V	19.2 W	867 lm	46 lm/W	2,200K ~ 4,000K	-10°C ~ 50°C
DDP3 SC-24V-C90	DC 24V	2.9 W	182 lm	63 lm/W	2,200K ~ 4,000K	0°C ~ 45°C
DDP6 SC-24V-C90	DC 24V	5.7 W	366 lm	64 lm/W	2,200K ~ 4,000K	0°C ~ 45°C
DDP12 SC-24V-C90	DC 24V	11.5 W	753 lm	65 lm/W	2,200K ~ 4,000K	0°C ~ 45°C
DDP18 SC-24V-C90	DC 24V	17.5 W	1,150 lm	67 lm/W	2,200K ~ 4,000K	0°C ~ 45°C
DDP24 SC-24V-C90	DC 24V	22.8 W	1,505 lm	66 lm/W	2,200K ~ 4,000K	0°C ~ 45°C
DVS4A CW-24V-SW	DC 24V	3.6 W	292 lm	81 lm/W	1,800K ~ 3,000K	0°C ~ 45°C

Beam Angle : 25°, 45°, 60°

Function Switch

4, 5 : Mode Select

3 : OFF : Fade off, ON : Fade on

2 : OFF : Light off under 1V, ON : Minimum Brightness under 1V

1 : OFF : 0-10 Mode, ON : 1-10 Mode

Mode Select with Function Switch (4 , 5)

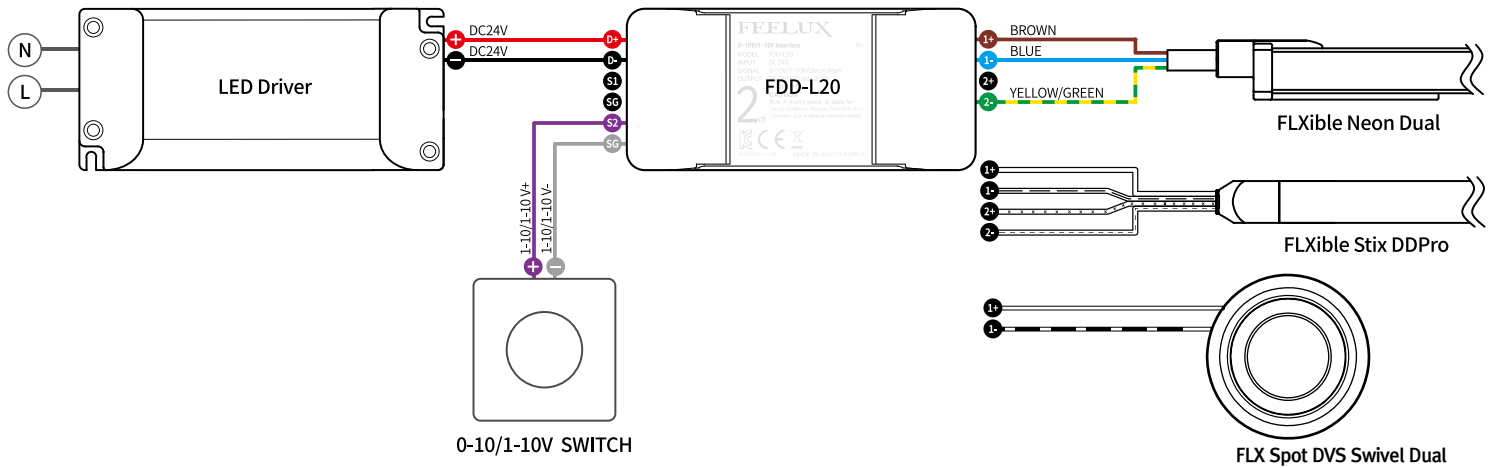
Function Switch by mode	4	5
Dim to Warm Mode	ON	ON
Tunable White Mode	ON	OFF
Single Control Mode-1	OFF	OFF
Single Control Mode-2	OFF	ON

Indicating LED

PWR(RED LED)
: Light on when Interface is powered

SIG(GREEN LED)
: Indicates function mode

Dim to Warm Mode



Function Switch

4: ON, 5: ON

3 : OFF : Fade off, ON : Fade on

2 : OFF : Light off under 1V, ON : Minimum Brightness under 1V

1 : OFF : 0-10 Mode, ON : 1-10 Mode

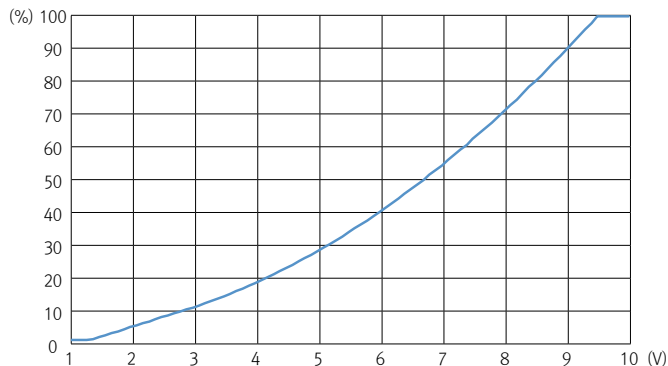
Indicating LED

PWR(RED LED)
: Light on when Interface is powered

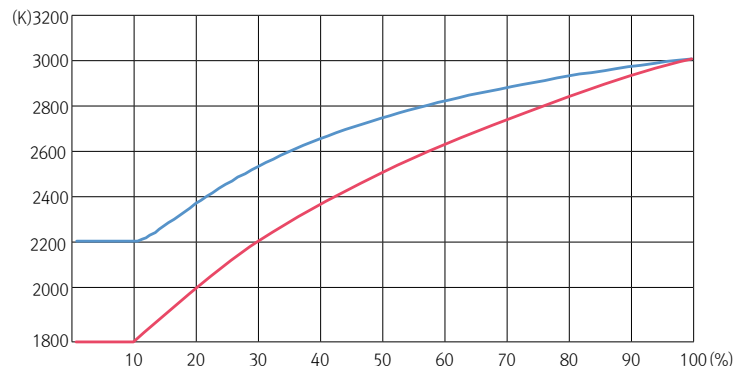
SIG(GREEN LED)
: Blinks 2 times per second



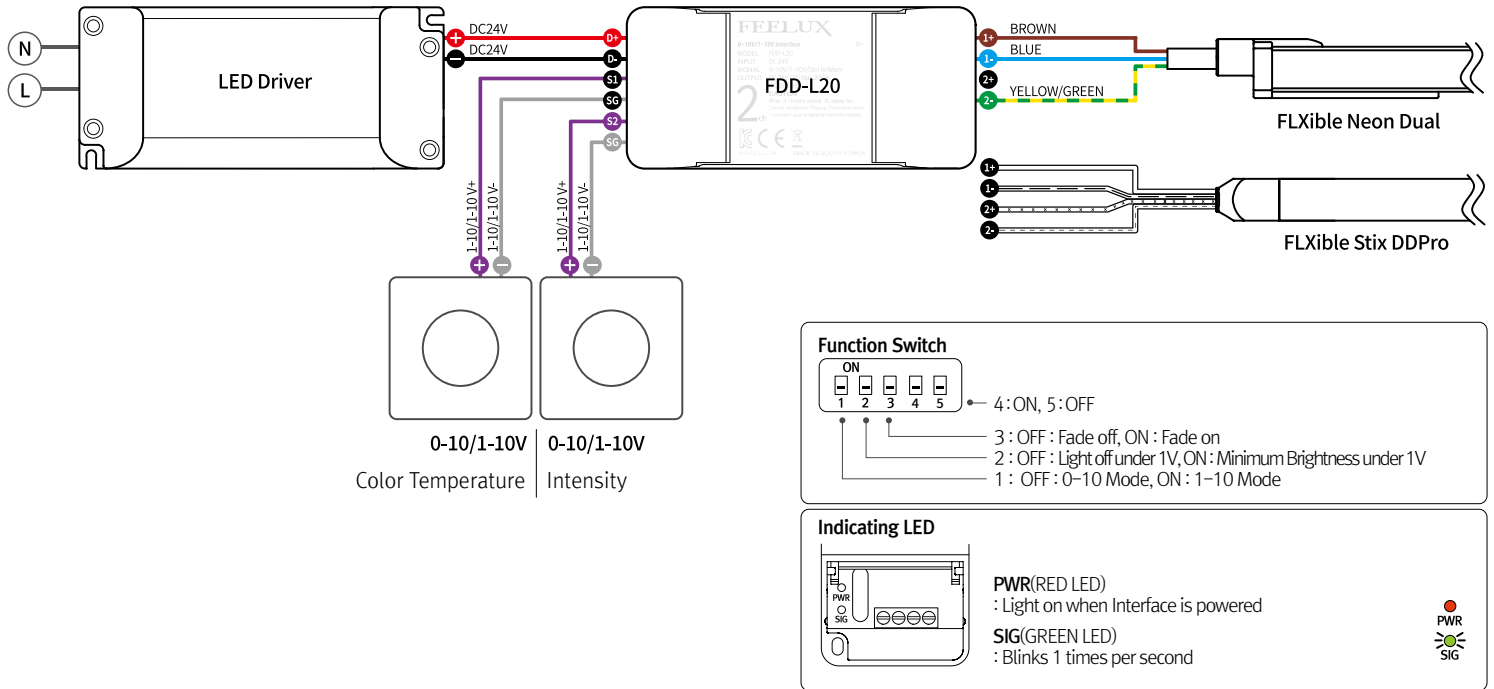
Input Voltage vs Output



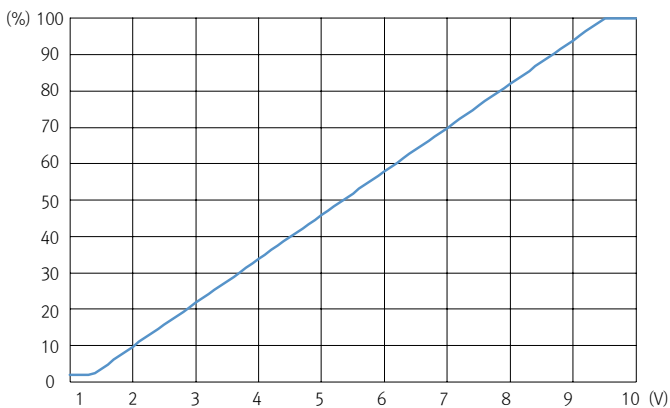
Output vs Color temperature (— Neon Dual, DDPro, — DVS Swivel Dual)



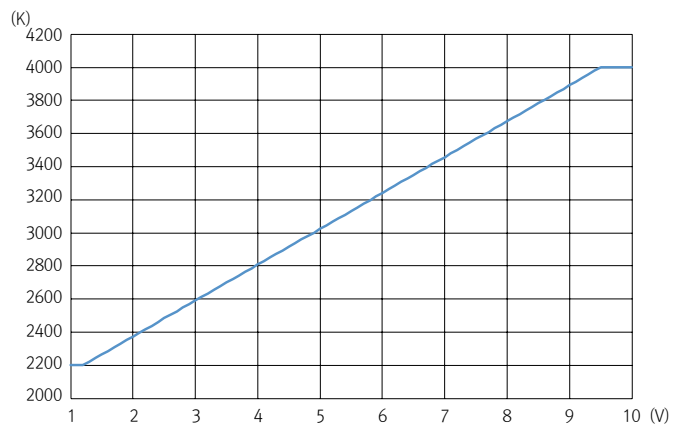
Tunable White Mode



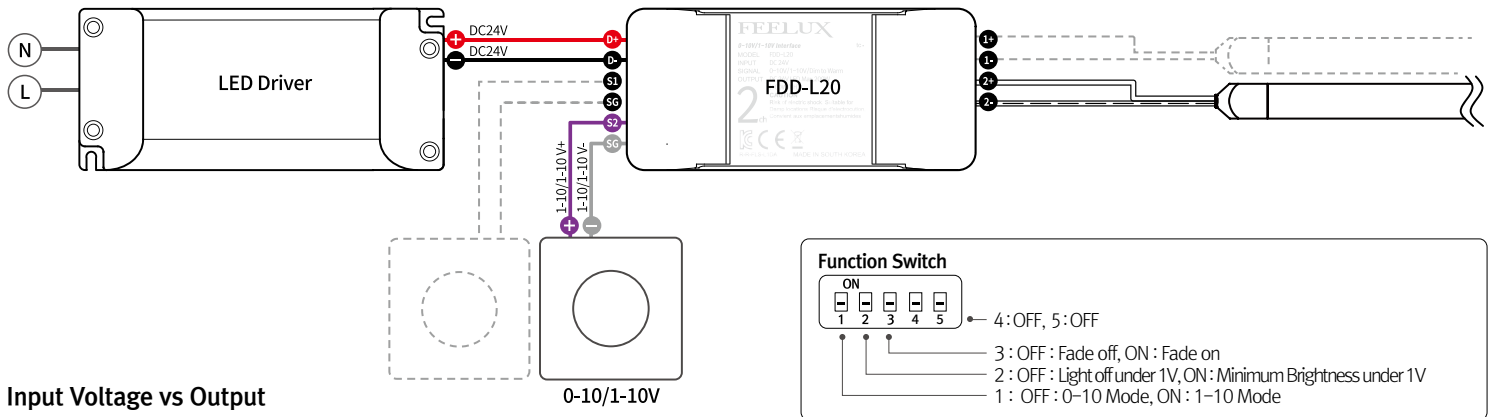
Input Voltage vs Output



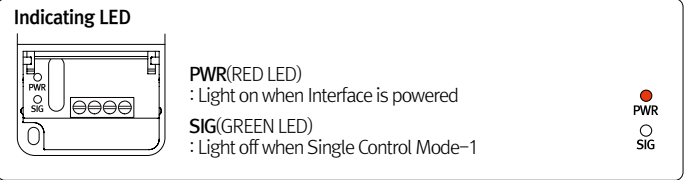
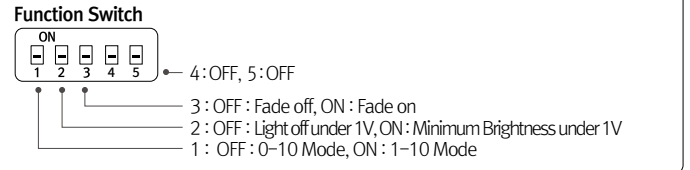
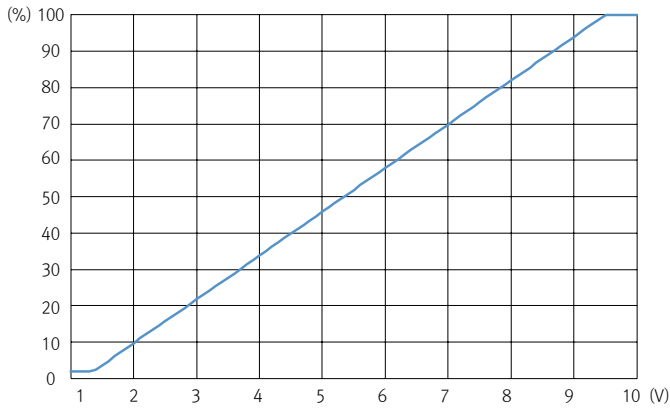
Input Voltage vs. Color temperature (* Neon Dual, DDPro)



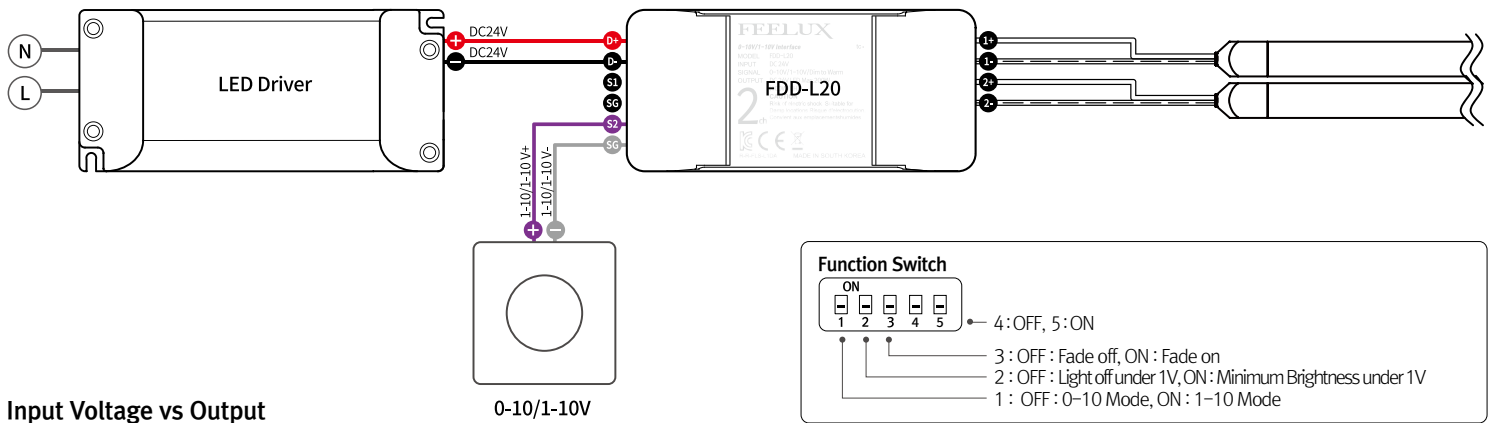
Single Control Mode - 1 Channel (Individual control in channels)



Input Voltage vs Output



Single Control Mode - 2 Channel (Control simultaneously with a single switch)



Input Voltage vs Output

