

PRODUCT FEATURES

- Dim to Warm (1,800K~3,000K)
- Linkable together with FLX series
- With constant voltage DC 24V driver
- Slim puck light

PRODUCT SPECIFICATIONS

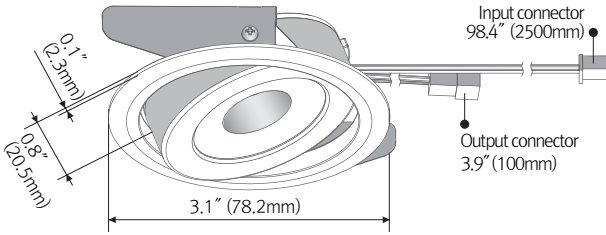
- Voltage : DC 24V
- Operating Temperature : 0-45°C (32-113°F)
- Lamp Life : 50,000hr / 70%
- Available Color : 1,800K~3,000K
- Color Rendering : CRI>90
- Finishes : Black, White
- Dimming : 0-10V/1-10V, Zigbee (with interface)
- 3 year warranty

SPECIFICATION

Model Name	Power Input	Lamp Power	Luminous Flux	Luminous Efficacy	Color Rendering Index	Color Temperature	Beam Angle	Operating Temperature
DVS4A CW-24V-SW-WT	DC 24V	3.6 W	292 lm	81 lm/W	CRI > 90	1800K ~ 3000K	25° 45° 60°	0-45°C

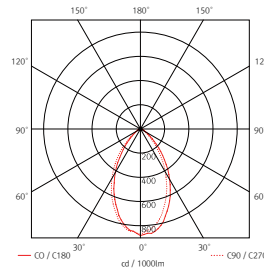
DIMENSION

* Type A (Linkable)



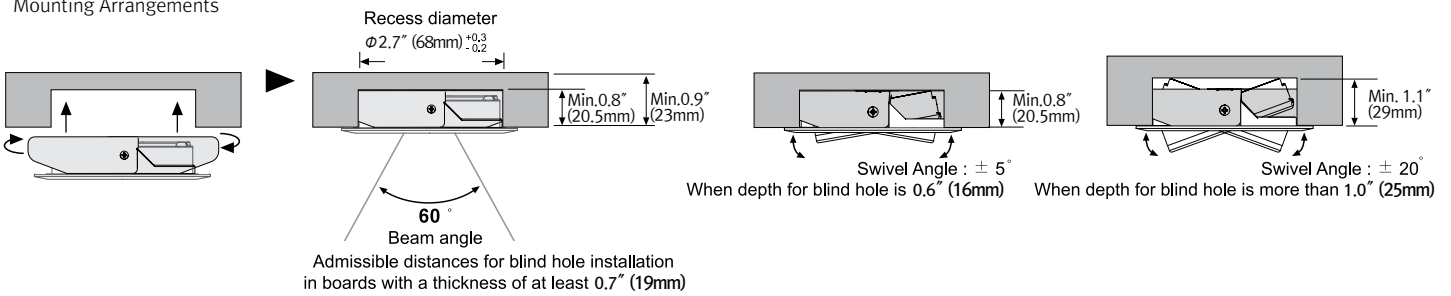
BEAM ANGLE

DVS4A CW-24V-SW-WT

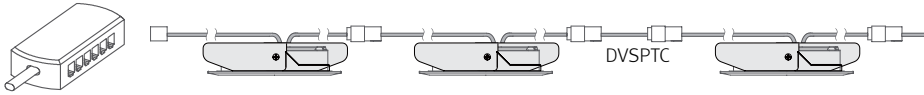


INSTALLATION

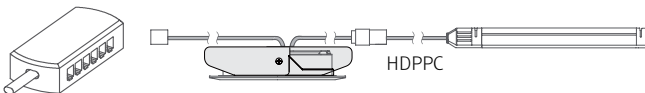
Mounting Arrangements



★ Linkable between FLX Spot DVS Swivel Dual and FLX Spot DVS Swivel Dual (Max 7 units connectable)



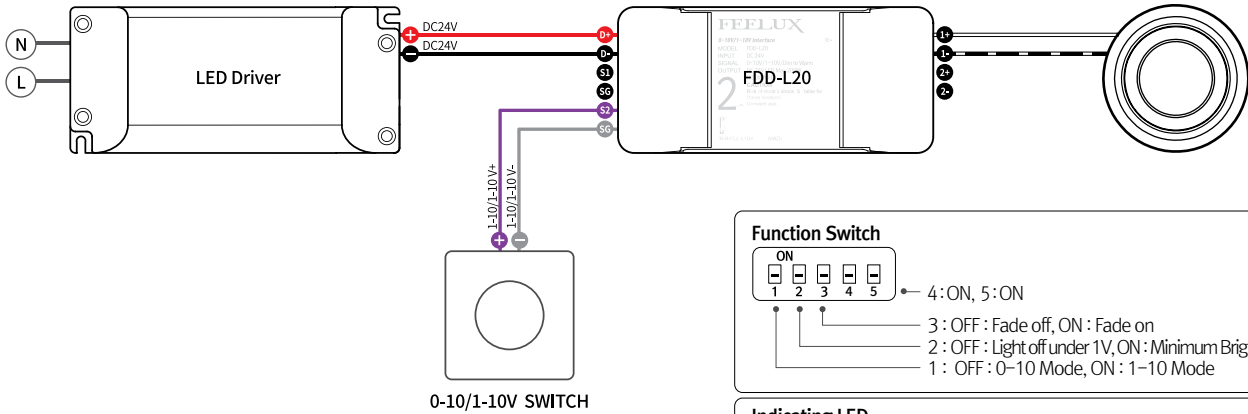
Linkable between FLX Spot DVS Swivel Dual & FLX Stix DDPro



VARIOUS OPTIONS



Dim to Warm Mode



Function Switch

4: ON, 5: ON

3: OFF : Fade off, ON : Fade on

2: OFF : Light off under 1V, ON : Minimum Brightness under 1V

1: OFF : 0-10 Mode, ON : 1-10 Mode

Indicating LED

PWR(RED LED)
: Light on when Interface is powered

SIG(GREEN LED)
: Blinks 2 times per second

COMPONENTS



FLX Spot DVS
_DVS4A CW-24V-SW-WT
_DVS4A CW-24V-SW-BK



LED Drivers
_FLC30-24V/T
_FLC75-24V/T
with distributor and power cord(1800mm)



Dimming Interface (0-10V/1-10V)
_FDD-L20



Extension Cable
_DVSPTC (2,500mm)



LED Drivers
_FLC200-24V/T



Dimming Interface (Zigbee)_FDD-L2Z
_FDD-L2Z



Wireless Control (Zigbee Switch)
_FSM-Z1