

## PRODUCT FEATURES

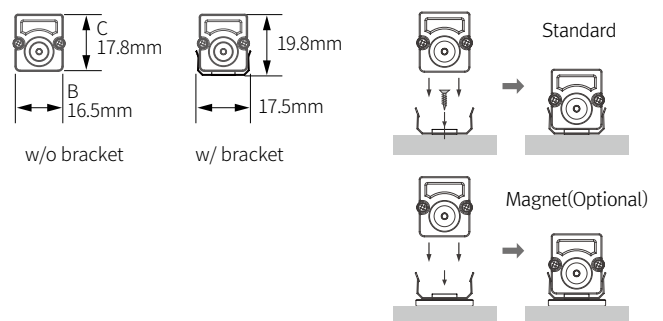
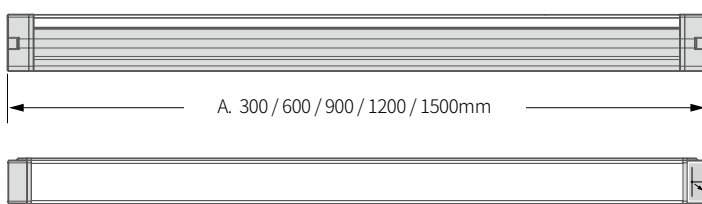
- Super slim Freezer and Cooler lighting
- High Efficiency / High Output
- High CRI (CRI 90)
- IP65 Rating
- Comply with EN 60335-2-89

## PRODUCT SPECIFICATIONS

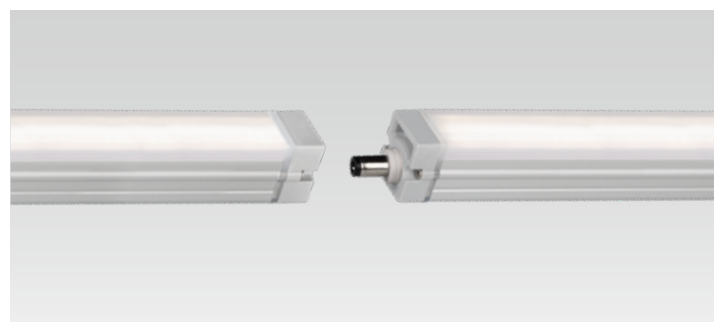
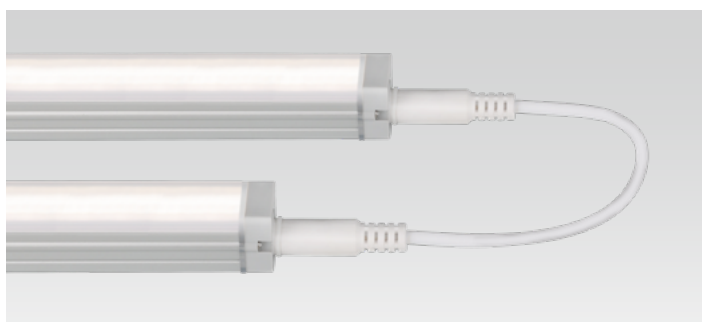
- Voltage: DC 24V
- Operating Temperature: -30°C ~ 35°C
- Lamp Life: 50,000hrs L70
- Available Color: 3000K, 4000K, MEAT RED
- Color Rendering: Ra>90
- Energy Efficiency: 115lm/W
- Degree of Protection: IP65

## DIMENSIONS

Model Number	Voltage Input (V)	Power Input (W)	Luminous Flux (lm) /4000K	Color Rendering	Efficiency (lm/W)	A (mm)	B (mm)	C (mm)
CDV4-40K-24V	DC24	4	460	>90	>115	300	16.5	17.8
CDV8-40K-24V		8.3	955			600		
CDV12-40K-24V		12.3	1,415			900		
CDV16-40K-24V		16.5	1,898			1200		
CDV20-40K-24V		20.6	2,369			1500		

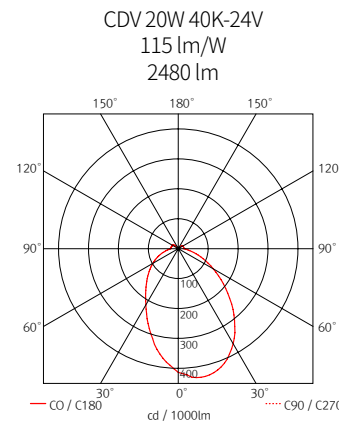
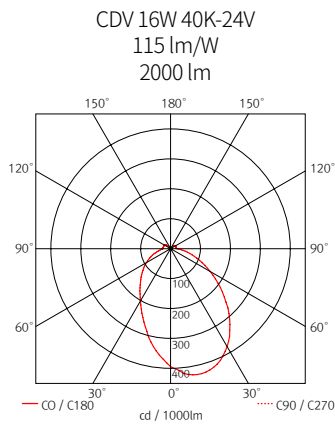
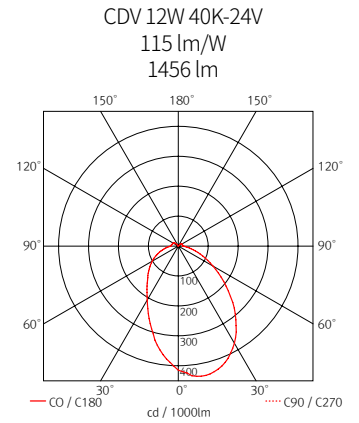
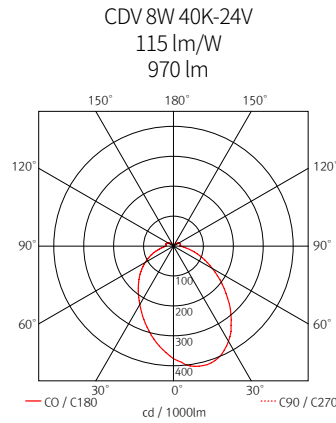
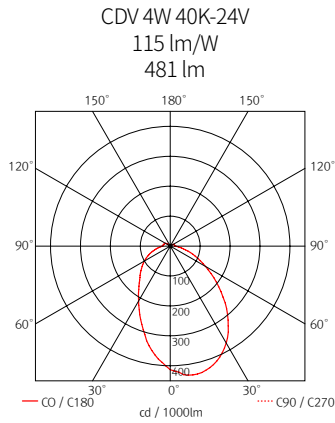
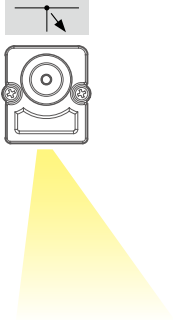


## EASY CONECTION

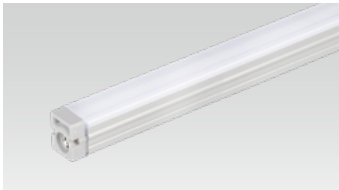


## BEAM SPREADS

Asymmrtric  
frosted

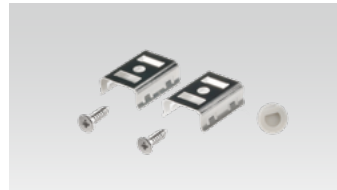


## COMPONENTS



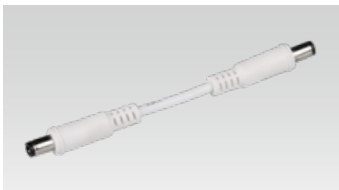
### FLX Stix CDV

- \_\_\_ CDV4-(color)K-24V (4W)
- \_\_\_ CDV8-(color)K-24V (8W)
- \_\_\_ CDV12-(color)K-24V (12W)
- \_\_\_ CDV16-(color)K-24V (16W)
- \_\_\_ CDV20-(color)K-24V(20W)



### Mounting Bracket Standard(End cap included)

- \_\_\_ CDV-BRACKET
- Included in fixture



### Connecting Cable

- \_\_\_ CDVPTC



### Mounting Bracket Magnet(Optional)

- \_\_\_ CDV-BRACKET
- Included in fixture



### Direct connector

- \_\_\_ CDVCPL



### LED Driver

- \_\_\_ FLC200-24V/T (200W)
- IP 67 rating



### Power Cable

- \_\_\_ CDVPC 1,200mm



### LED Driver

- \_\_\_ FLC75-24V/T (75W)