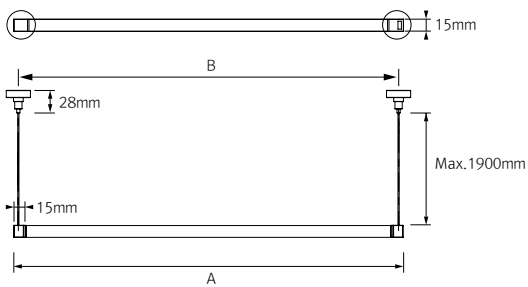


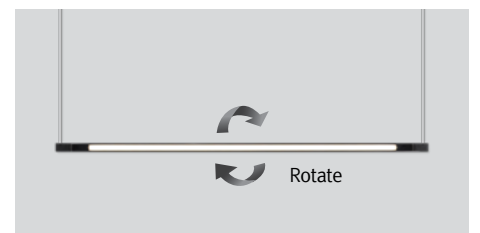
## PRODUCT FEATURES

- Aluminum body with rotating top bar
- Easy assembly with NDPro fixture
- Various length available
- Ideal for Suspended Application

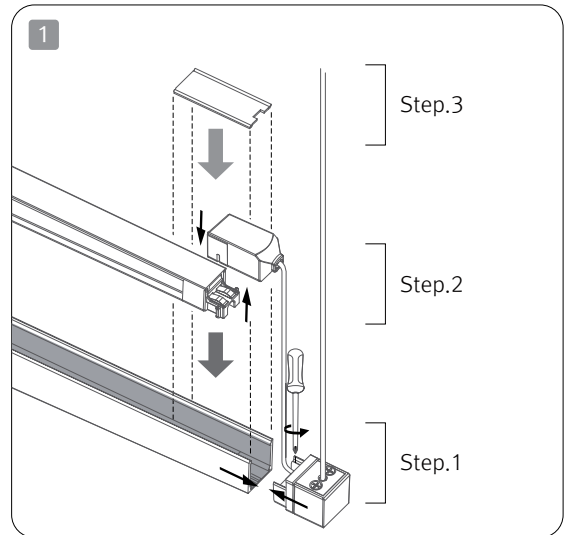
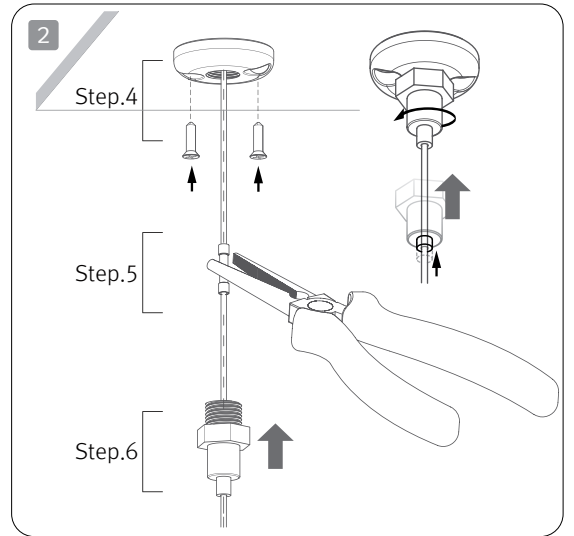
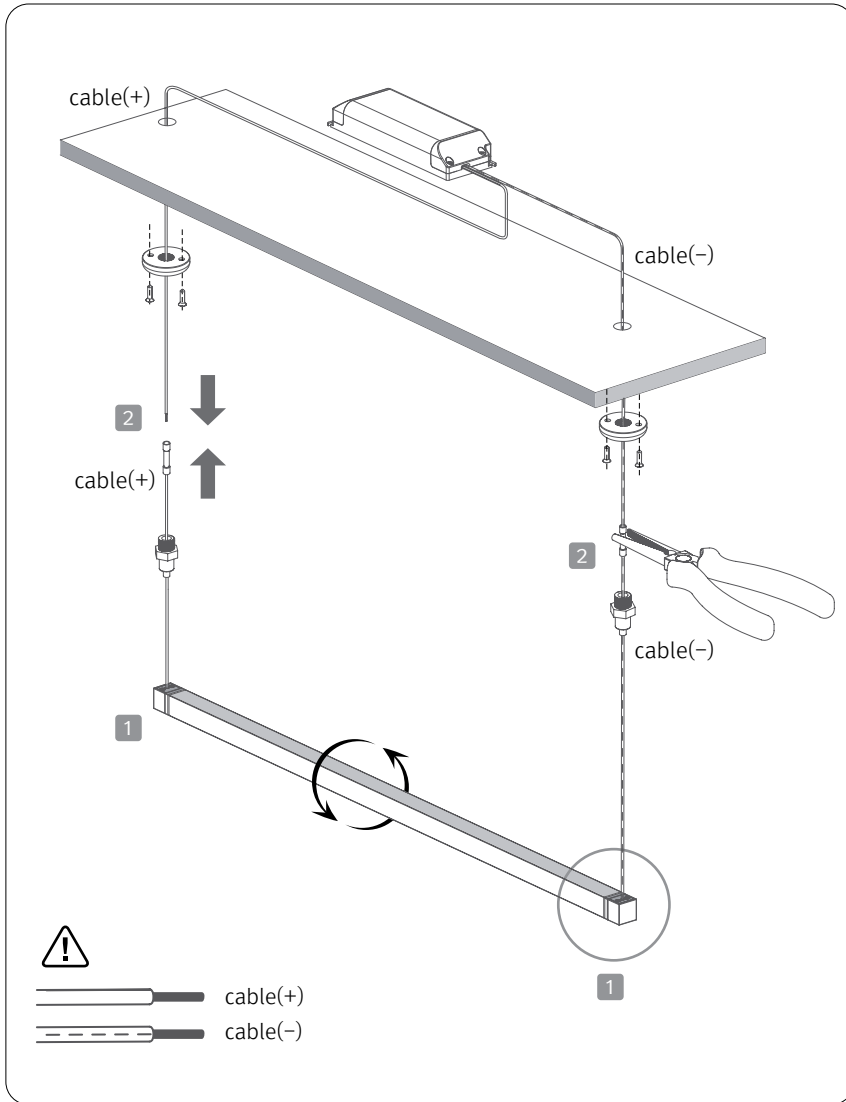
## DIMENSIONS



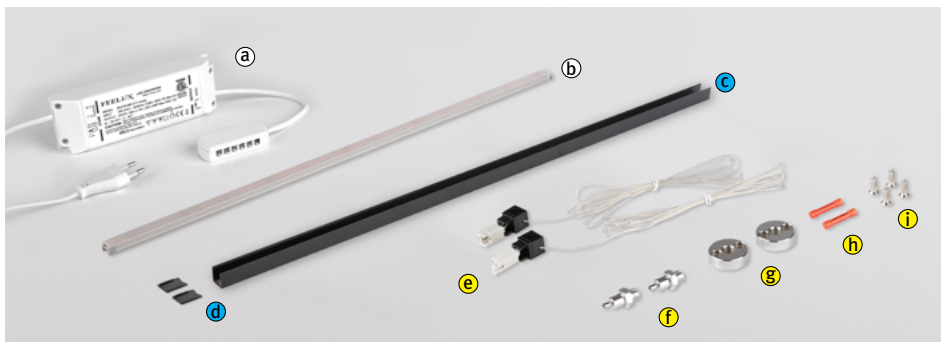
| NDPro Pendant for | Lamp Power | Luminous Flux (4000K) | A Pendant length | B NDPro Pendant Bracket Mounting Holes |
|-------------------|------------|-----------------------|------------------|--|
| NDP4 40K-24V-C90  | 4W         | 300 lm                | 384mm            | 369mm                                  |
| NDP7 40K-24V-C90  | 7W         | 570 lm                | 664mm            | 649mm                                  |
| NDP11 40K-24V-C90 | 11W        | 860 lm                | 943mm            | 928mm                                  |
| NDP15 40K-24V-C90 | 15W        | 1,210 lm              | 1222mm           | 1207mm                                 |



## INSTALLATION



## Required Accessories

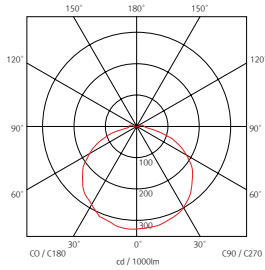


- ① LED Driver
  - ② FLX Stix NDPro
  - ③ Top Bar
  - ④ Fix Cover
  - ⑤ Wire
  - ⑥ Wire Holder
  - ⑦ Holder Clamp
  - ⑧ Wire Terminals
  - ⑨ Screw
- NDPro Top Bar
- NDPro Pendant Kit

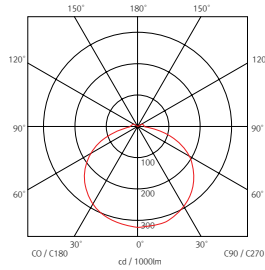
\* Item ①② are sold separately

## BEAM SPREADS

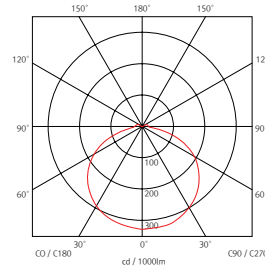
NDP4 40K-24V-C90  
75.32 lm/W  
270.40 lm



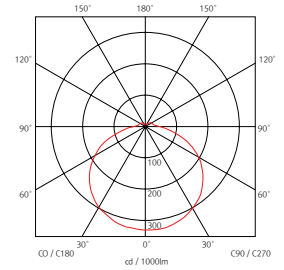
NDP7 40K-24V-C90  
74.59 lm/W  
531.00 lm



NDP11 40K-24V-C90  
74.75 lm/W  
797.05 lm



NDP15 40K-24V-C90  
75.26 lm/W  
1078.47 lm



## COMPONENTS



### NDPro Pendant Kit

\_\_ NDP-PD-KIT



### NDPro Fixture

\_\_ NDP4-(color)K-24V  
\_\_ NDP7-(color)K-24V  
\_\_ NDP11-(color)K-24V  
\_\_ NDP15-(color)K-24V



### NDPro Top Bar

\_\_ NDP4TB  
\_\_ NDP7TB  
\_\_ NDP11TB  
\_\_ NDP15TB



### 12 Port Hub

\_\_ 12 Way distributor  
Included with Cord and Plug drivers.  
Order separately for 3rd Party Drivers



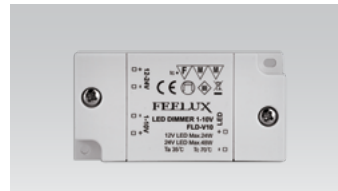
### LED Drivers

\_\_ FLC30-24V/T (30W)  
\_\_ FLC75-24V/T (75W)  
with distributor and power cord  
(1,800mm)



### LED Driver

\_\_ FLC200-24V/T (200W)  
with 12way distributor



### Dimming Interface (0-10V/1-10V)

\_\_ FDC-L10 (Max. 100W)



### Dimming Interface

\_\_ FDA-L2M0 (0-10V/1-10V, DMX512)  
Max. 200W (100W/CH, 2CH)  
\_\_ FDA-L5M (DMX512)  
Max. 200W (50W/CH, 5CH)



### Dimming Interface (Dail)

\_\_ FDD-L1DA  
Max. 200W (100W/CH, 1CH)