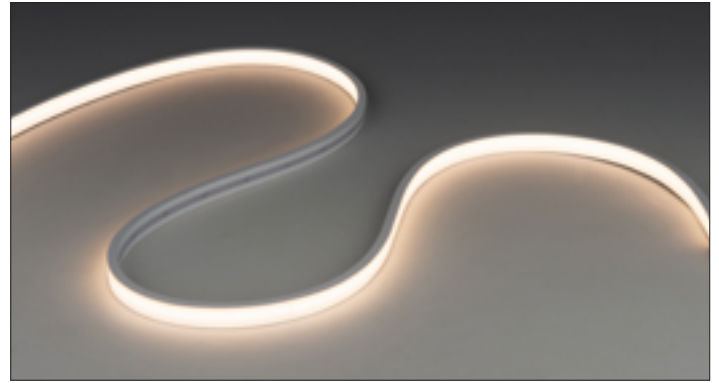
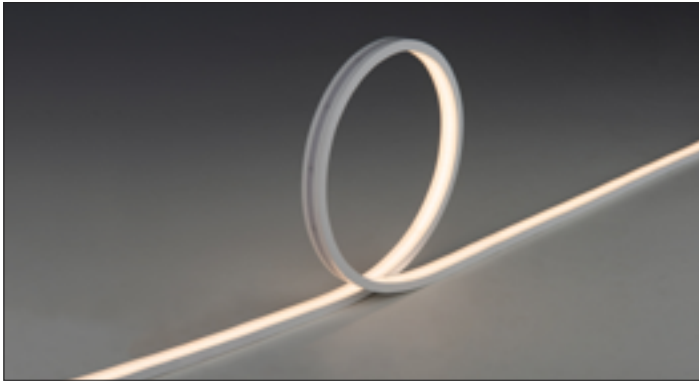


PRODUCT IMAGE



PRODUCT FEATURES

- Seamless Dot-Free Illumination
- Ultra Slim
- High Efficiency / High Output (110lm/W)
- High CRI (CRI 90)
- Bend Direction Vertically
- Indoor/Outdoor Application (IP65)
- Field Cuttable (33.3mm)
- Available in Standard Lengths of 5M reels
- Dimmable
- 4.4W per feet

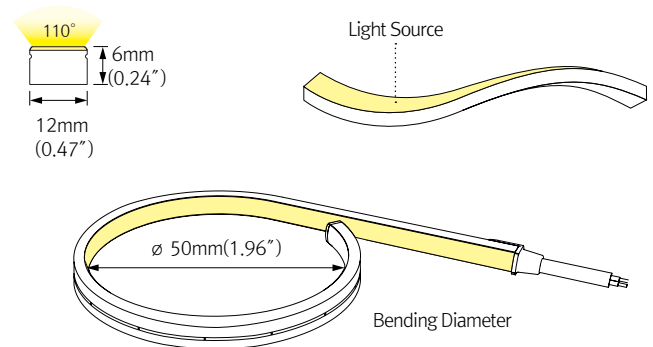
PRODUCT SPECIFICATIONS

IP Rate	IP65 with Factory Termination
Lamp Power	4.4W/ft
Power Input	24V DC
Color Rendering	Ra>90
Operating Temperature Ranges	0-45°C
Beam Angle	110°
Material	Silicon
Available Color	2700K, 3000K, 3500K, 4000K

SPECIFICATIONS TABLE

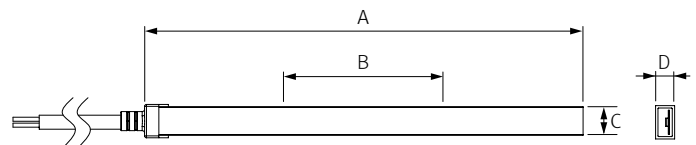
Model Number	Color	Lamp Power	Luminous Flux (lm/ft)	Lumen/W
FTP15 27K-24V-C90	2700K	4.2W/ft	415lm	98.24/W
FTP15 30K-24V-C90	3000K	4.3W/ft	440lm	103.02/W
FTP15 35K-24V-C90	3500K	4.3W/ft	465lm	109.44/W
FTP15 40K-24V-C90	4000K	4.4W/ft	476lm	108.7/W

PHYSICAL SPECIFICATIONS



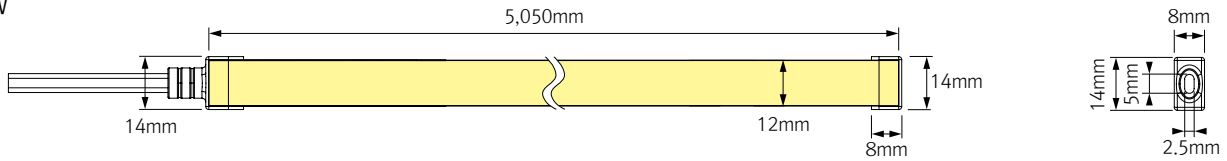
PHYSICAL SPECIFICATIONS

Model Number	A Length	B Cutting Unit	C Width	D Thickness
FTP15 (color)-24V-C90	1,012mm (39.84")	33.3mm (1.31")	12mm (0.47")	6mm (0.24")

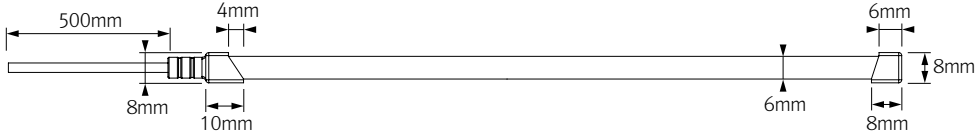


DIMENSIONS

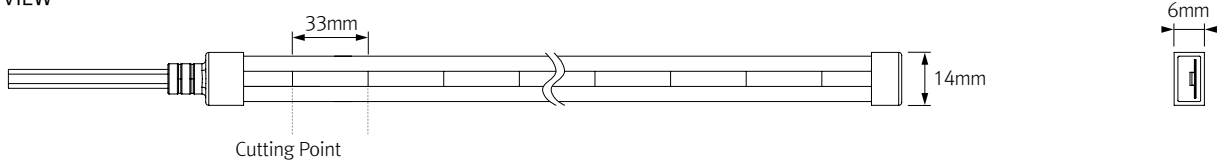
TOP VIEW



SIDE VIEW

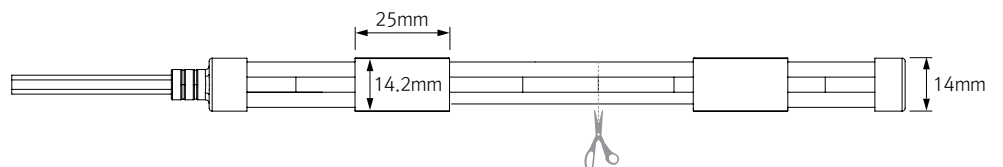
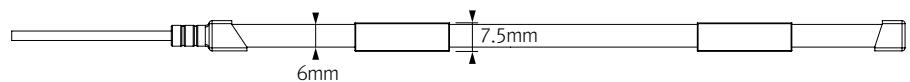
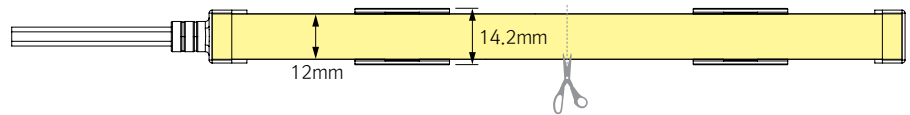
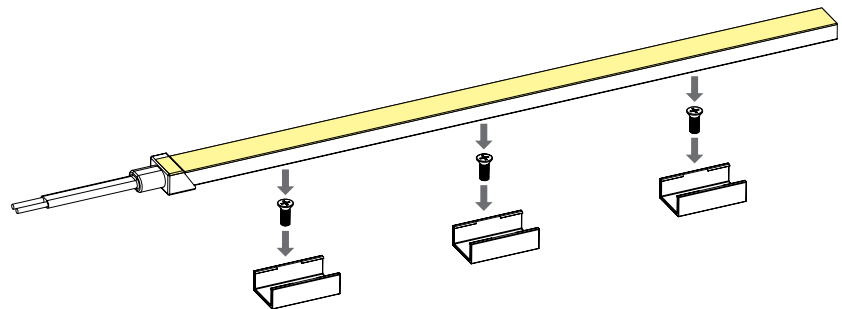
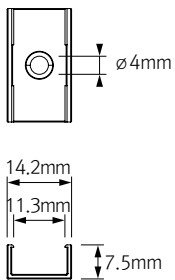


BOTTOM VIEW



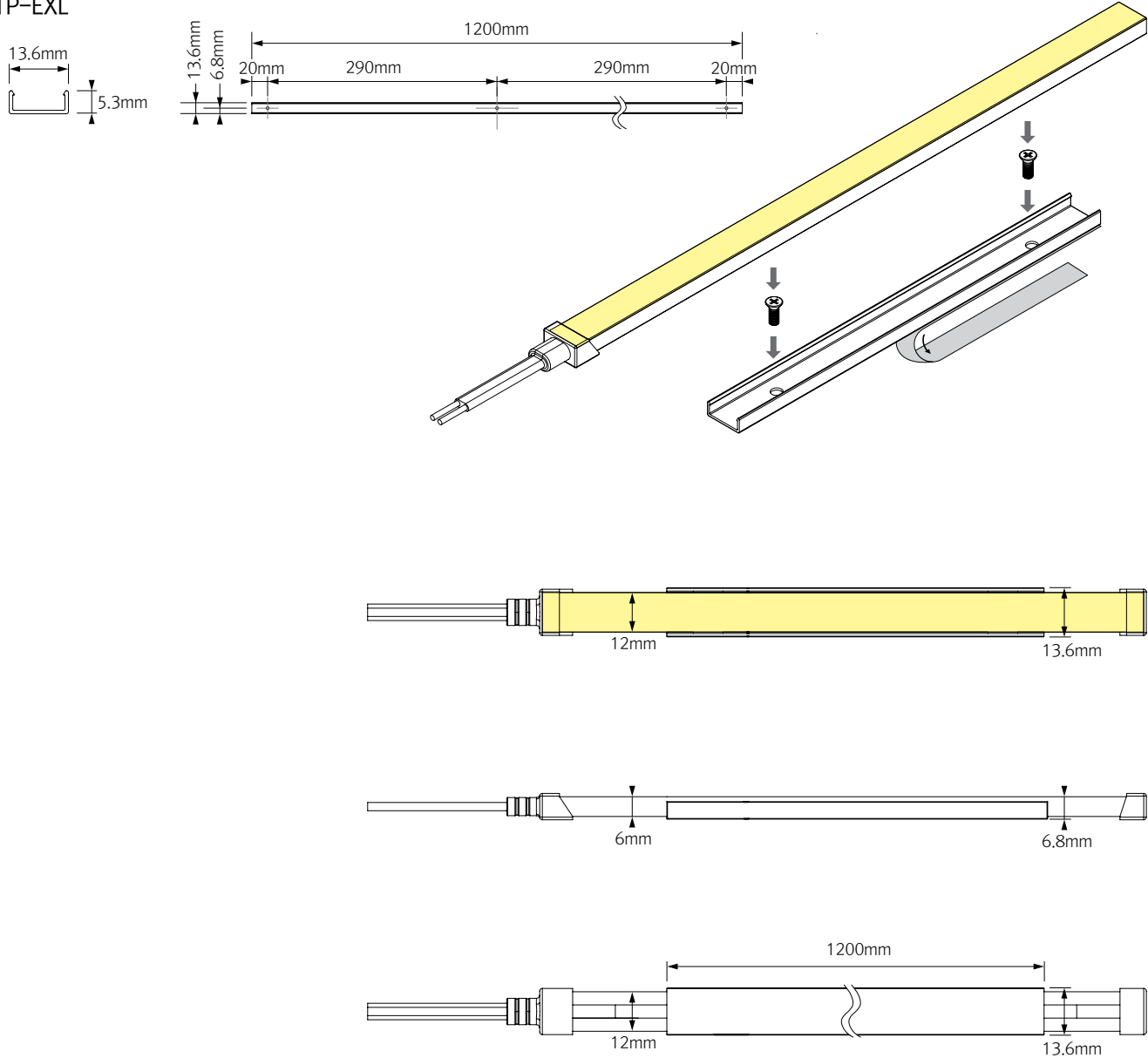
INSTALLATION - Bracket

FTP-BRACKET1



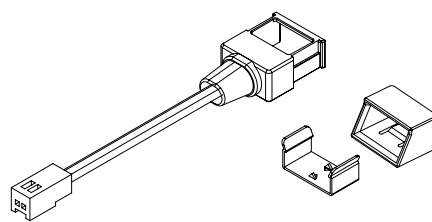
INSTALLATION - Extrusion

FTP-EXL

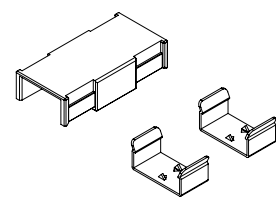


INSTALLATION - Indoor Termination (IP20)

* Components

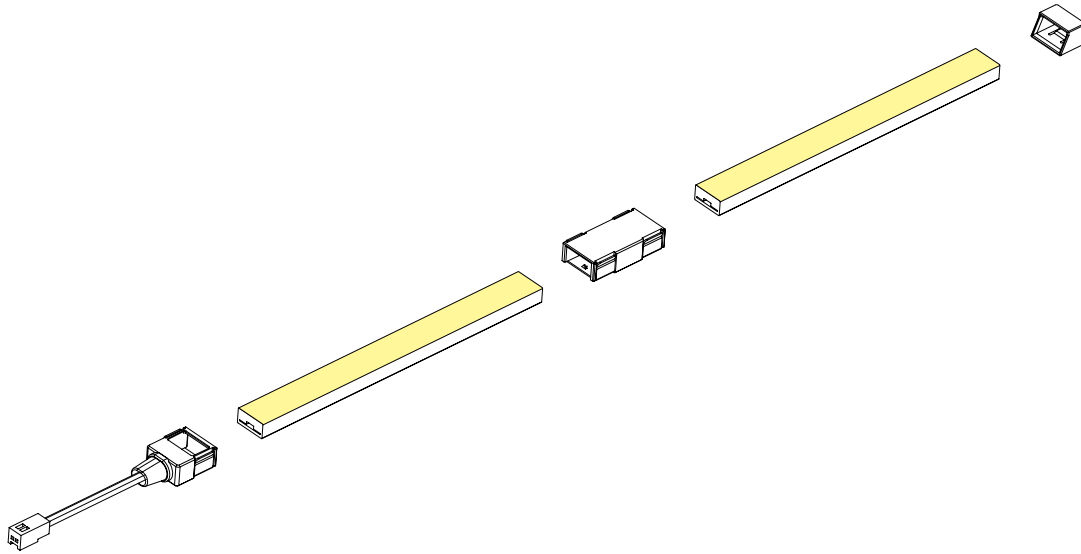


FTP-INPC
- Indoor Power Cable with END CAP



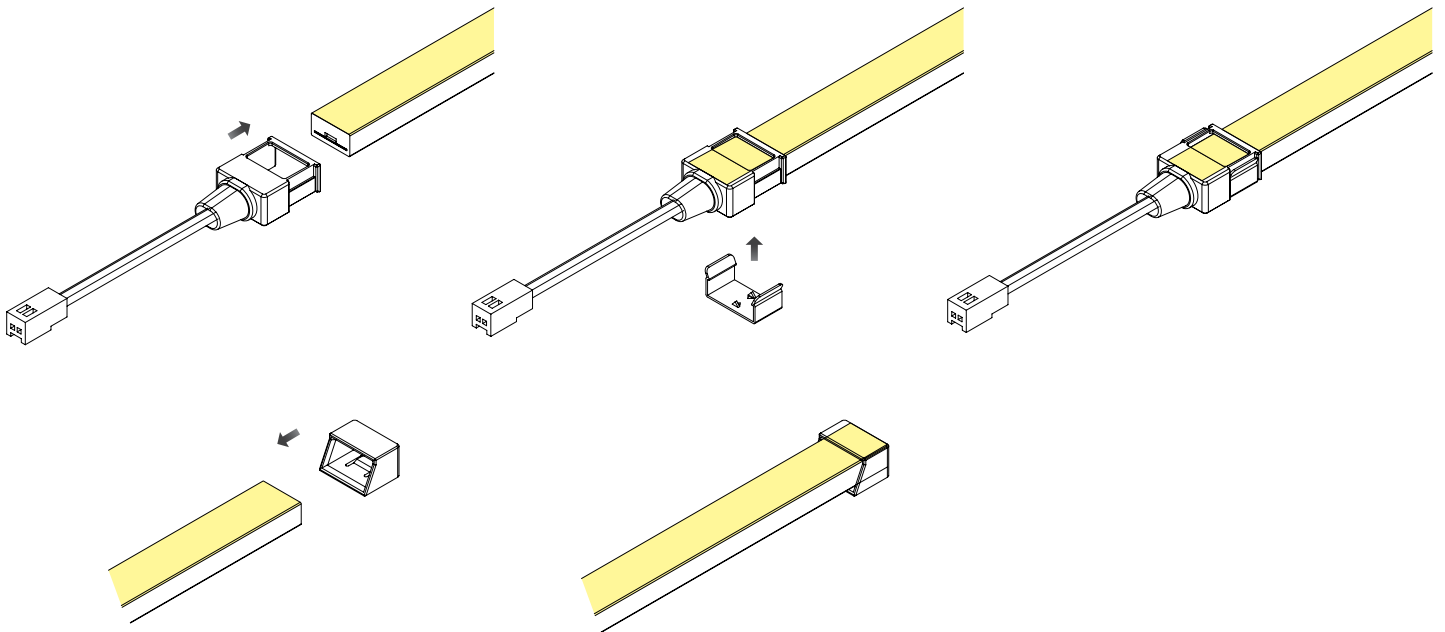
FTP-INCP
- Indoor Direct Connector

* Expanded View

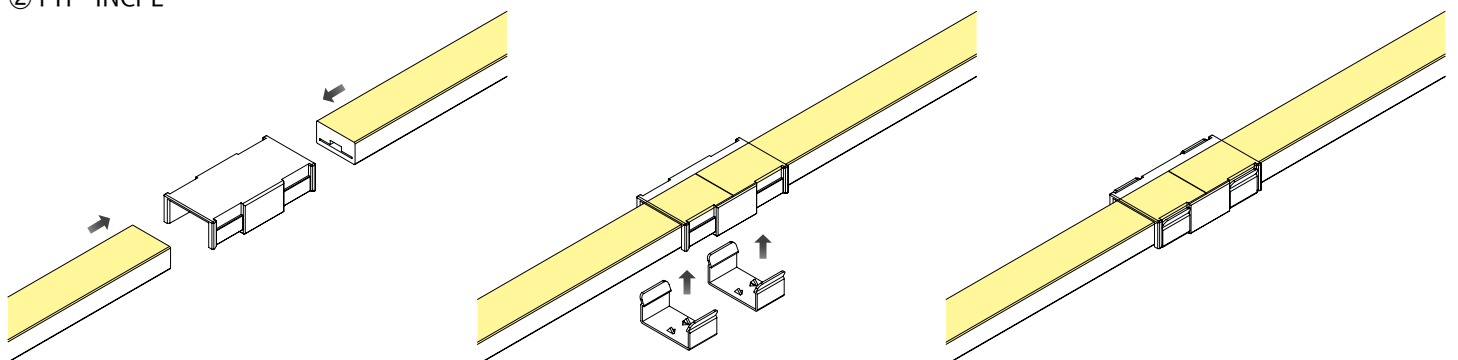


* Installation Method

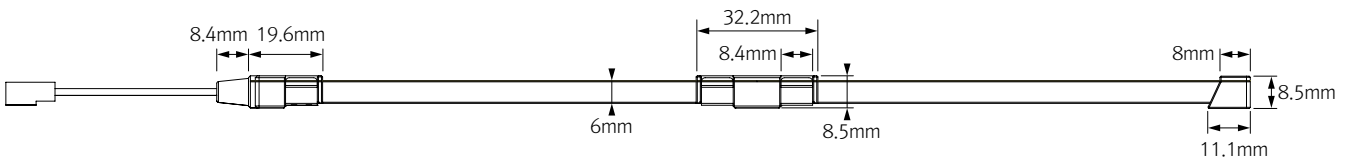
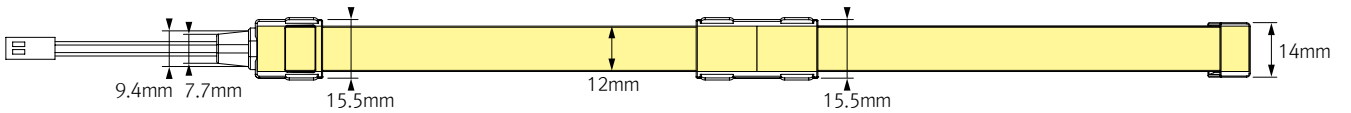
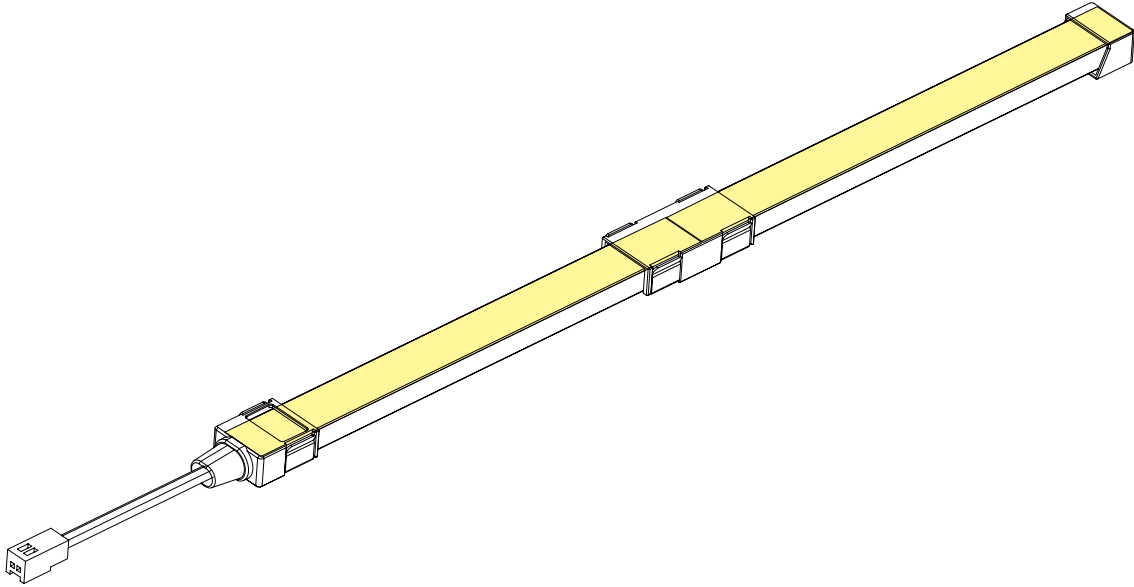
① FTP-INPC



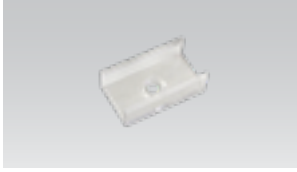
② FTP-INCL



* Finished view



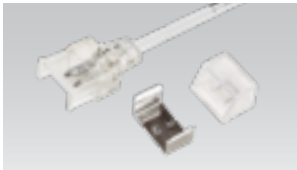
COMPONENTS



Mounting Brackets
_FTP-BRACKET1



FTP Extrusion Line
_FTP-EXL (1200mm)



Indoor Power Cable
_FTP-INPC (2,500mm)
with END CAP



Indoor Direct Connector
_FTP-INCP1