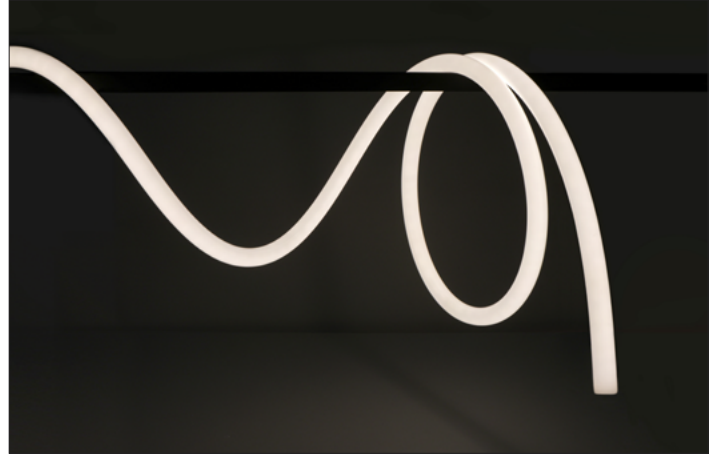


DATE PROJECT TYPE



SPECIFICATIONS TABLE

Model Number	Color Temperature		Luminous Flux (Full Brightness)	Lumen/W
FN360 24K-24V-C90-1M	2400K		525lm/m	10W/m (3W/ft)
FN360 27K-24V-C90-1M	2700K		517lm/m	
FN360 30K-24V-C90-1M	3000K		529lm/m	
FN360 35K-24V-C90-1M	3500K		600lm/m	
FN360 40K-24V-C90-1M	4000K		556lm/m	
FN360 50K-24V-C90-1M	5000K		604lm/m	
FN360 60K-24V-C90-1M	6000K		586lm/m	
FN360 SD-24V-C90-1M	2700K-5000K		518lm/m	
FN360 RGB-24V-1M	Red	620-625nm	246lm/m	
	Green	515-525nm	502lm/m	
	Blue	460-465nm	112lm/m	

PRODUCT FEATURES

- 360° degree Illumination Decorative Lighting
- Bendable in any direction
- Field Cuttable 50mm(1.97")
- Available in Standard Lengths of 1,2,3,4,5M Reels
- Architectural and interior contour lighting
- Dimmable
- Tunable, RGB available

PRODUCT SPECIFICATIONS

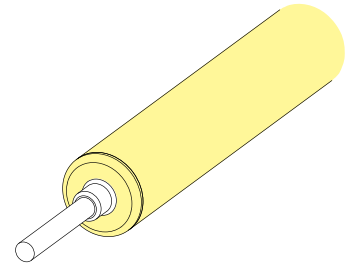
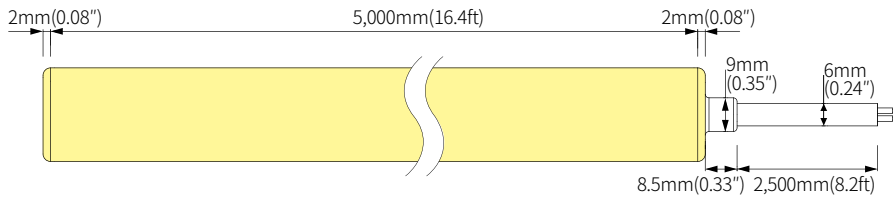
IP Rate	IP65
Lamp Power	10W/m(3W/ft)
Power Input	24V DC
Color Rendering	Ra>90
Operating Temperature Ranges	-25°C to +45°C(-13°F to 140°F)
Maximum Length	5M(16.4ft)
Dimension	Ø25mm (Ø0.98")
Cuttable	50mm (1.97")
Minimum bending Diameter	200mm (7.87")
Material	Silicon
Beam Angle	360°

SPECIFICATION GUIDE

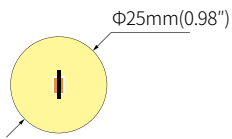
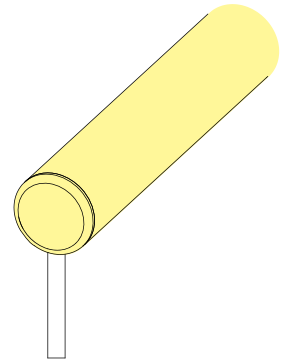
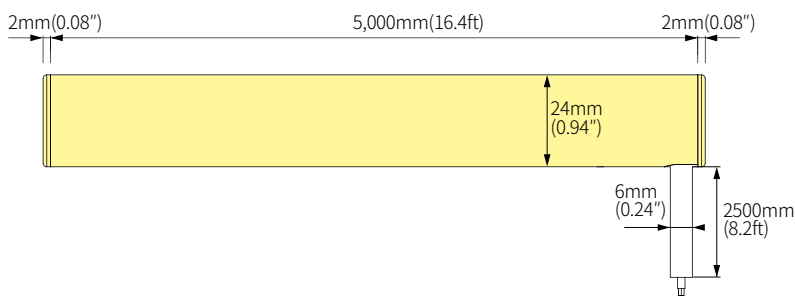
MODEL	COLOR	VOLTAGE	FEED TYPE	CRI	RUN LENGTH
FN360	24K -2400K 27K -2700K 30K -3000K 35K -3500K 40K -4000K 50K -5000K 60K -6000K SD -Tunable White (2700K-5000K) RGB -RED, GREEN, BLUE	24V	None -Straight Feed LS -Side Feed	C90	1M -1,000mm(3.28') 2M -2,000mm(6.56') 3M -3,000mm(9.84') 4M -4,000mm(13.12') 5M -5,000mm(16.4')

Dimension

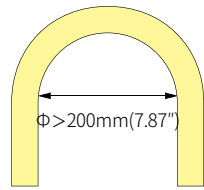
Straight Feed



Side Feed



Diameter



Minimum bending diameter

Installation Accessories



1. FN360-BRACKET1
(Mounting Bracket)



2. FN360-EXL
(Mounting Extrusion)
· FN360-EXL : 1,000mm(3.28ft)



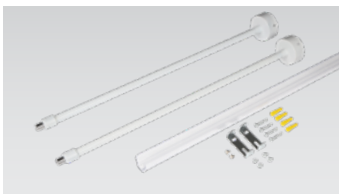
3. FN360-BRACKET1, SK1
(Hanging Bracket)
· FN360-SK1(WIRE) : 1,500mm(4.92ft)



4. FN360-BRACKET1, SK2
(Rigid Hanging Bracket)
· FN360-SK2(Rigid Stem)
: 500~1,000mm(1.64~3.28ft)



5. FN360-EXL, SK1
(Hanging Extrusion)
· FN360-SK1 (WIRE) : 1,500mm(4.92ft)
· FN360-EXL : 1,000mm(3.28ft)



6. FN360-EXL, SK2
(Rigid Hanging Extrusion)
· FN360-SK2(Rigid Stem)
: 500~1,000mm(1.64~3.28ft)
· FN360-EXL: 1,000mm (3.28ft)



7. FN360-SV-PENDANT
(Vertical Surface Mounting)



8. FN360-SU-PENDANT
(Vertical Double Surface Mounting)



9. FN360-V-PENDANT
(Vertical Hanging Mounting)
· FN360-V-PENDANT (WIRE):1,000mm(3.28ft)



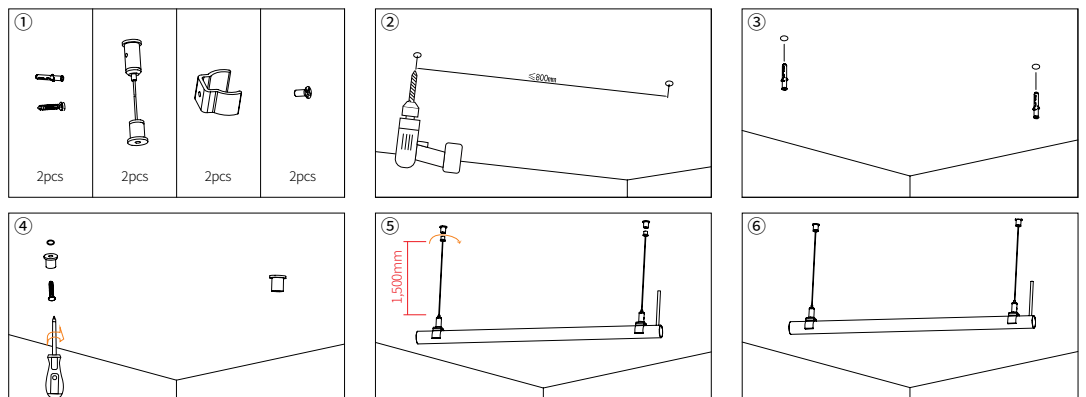
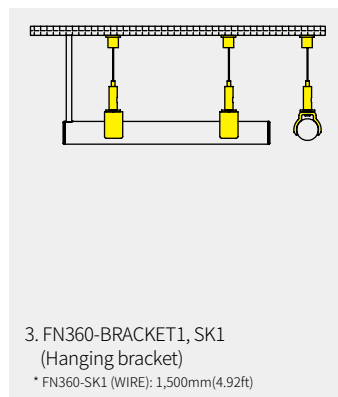
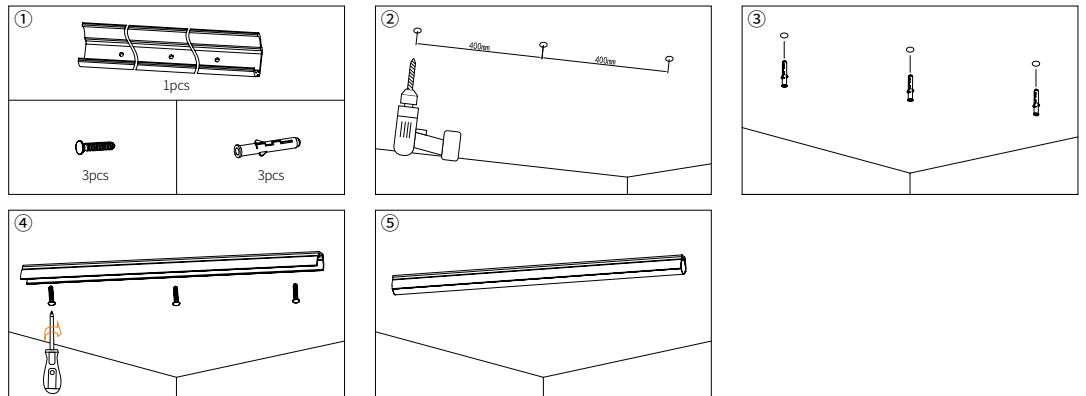
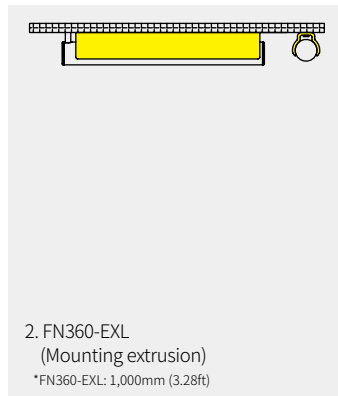
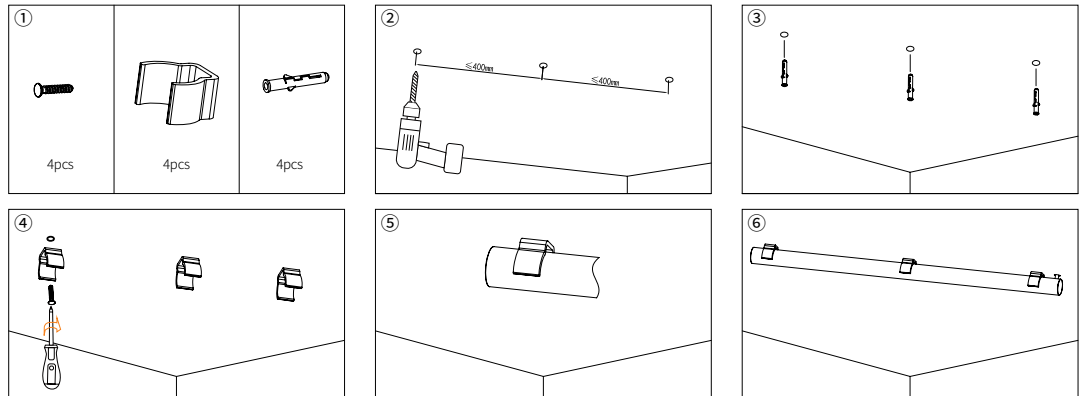
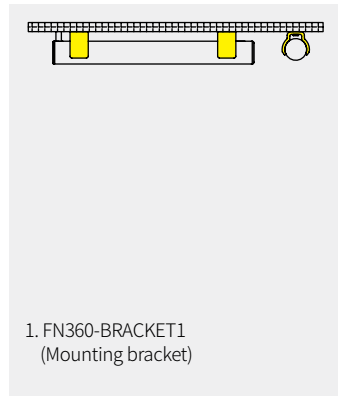
10. FN360-CPL2
(Side Feed Connecting)

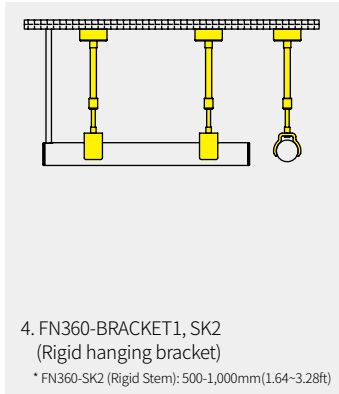


11. FN360-CPL
(End to End Connecting)

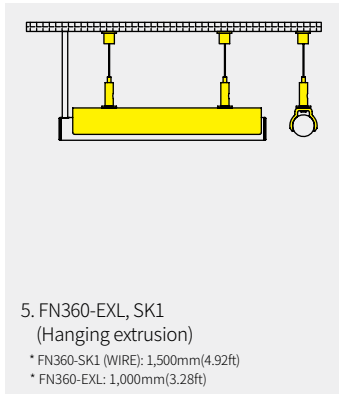
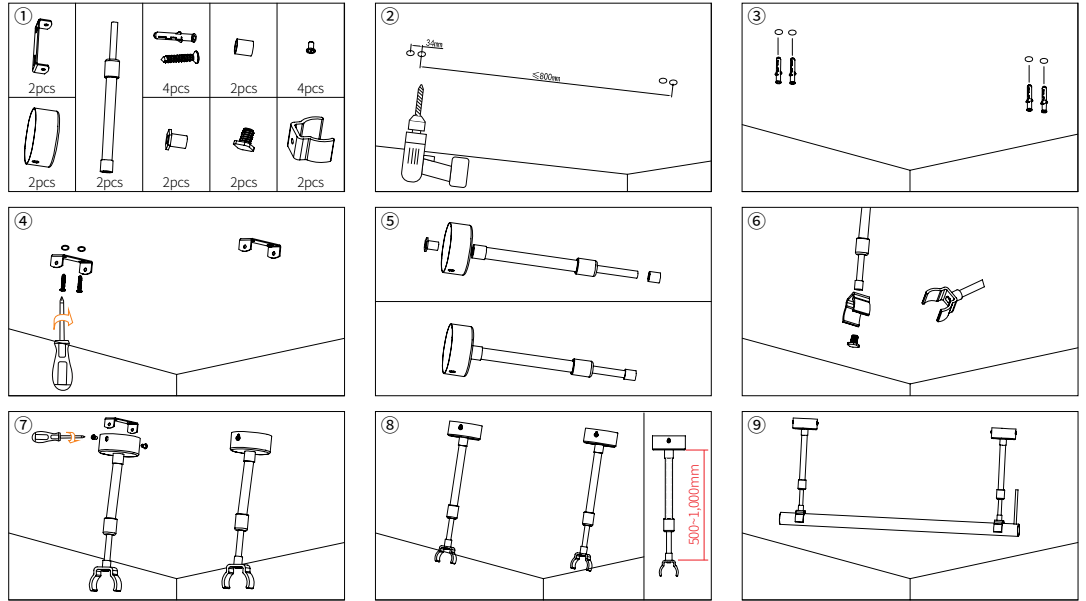
※ For more details, please refer to the installation diagram on the next page

Installation Diagram

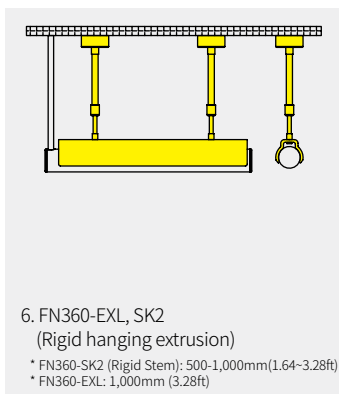
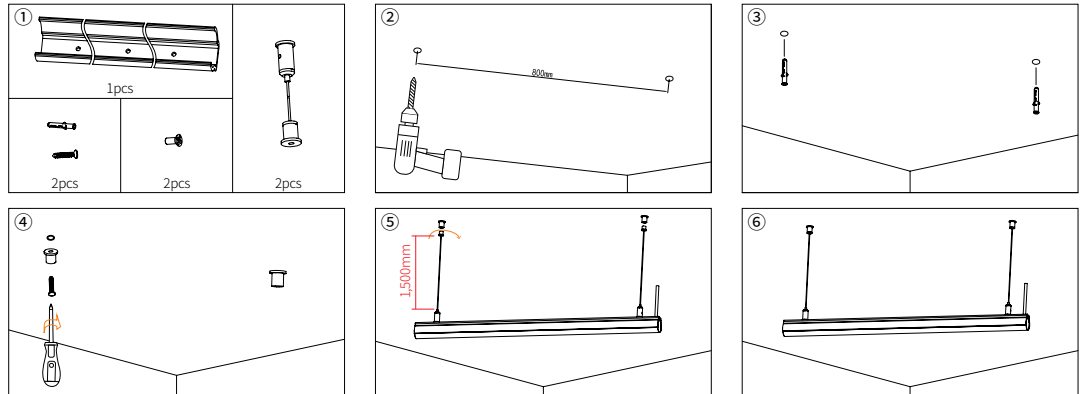




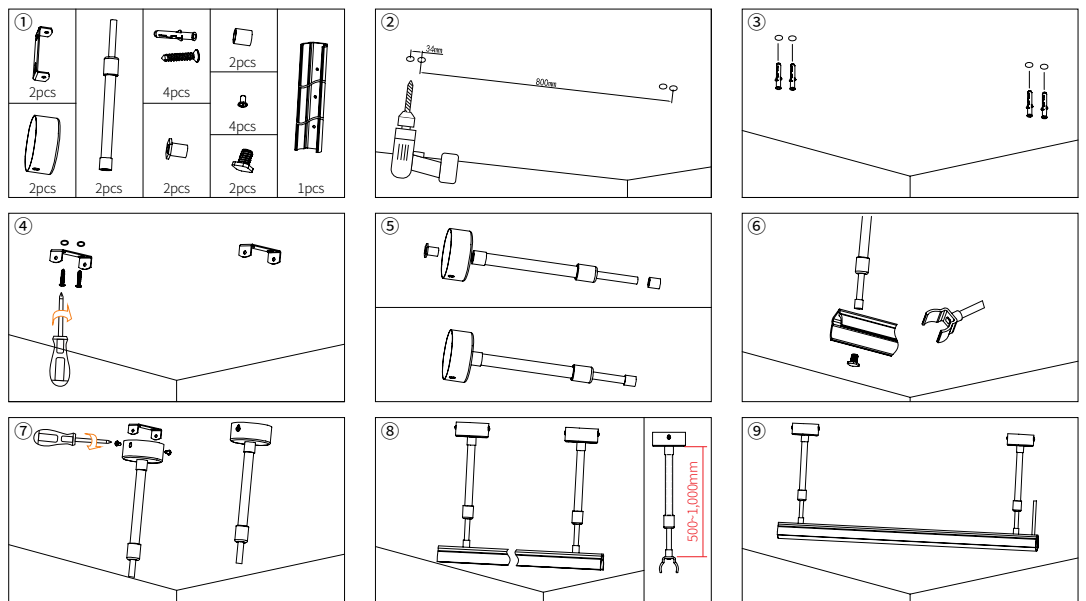
4. FN360-BRACKET1, SK2
(Rigid hanging bracket)
* FN360-SK2 (Rigid Stem): 500-1,000mm(1.64-3.28ft)

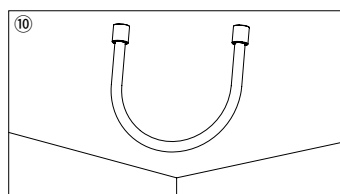
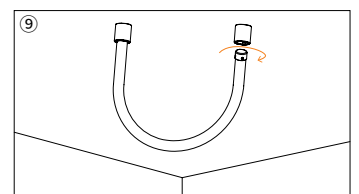
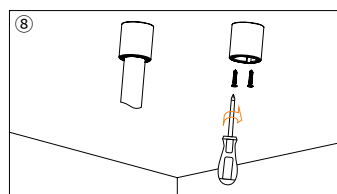
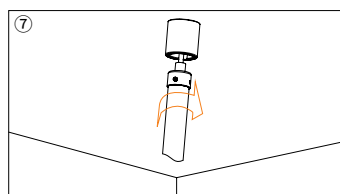
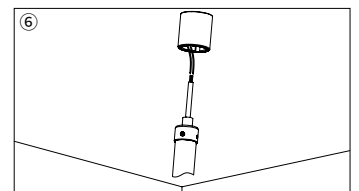
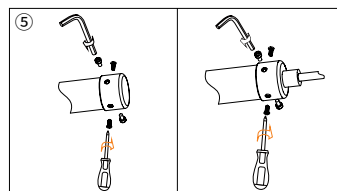
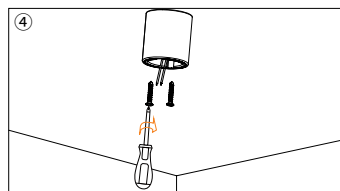
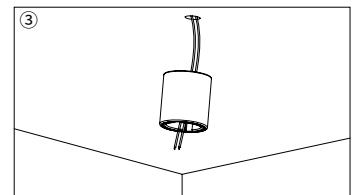
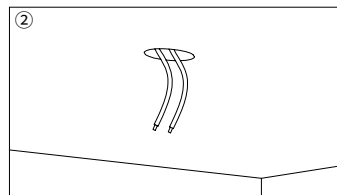
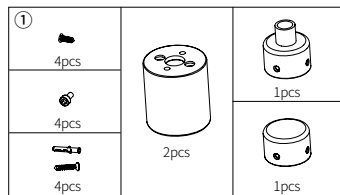
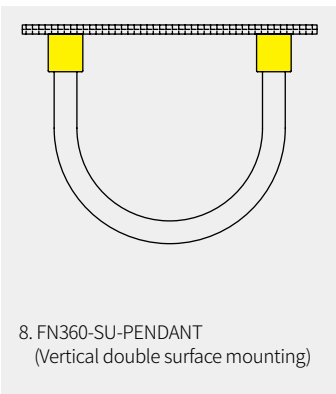
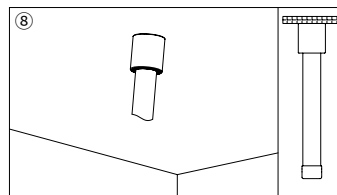
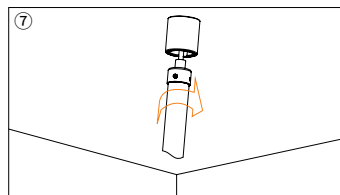
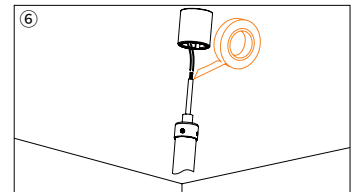
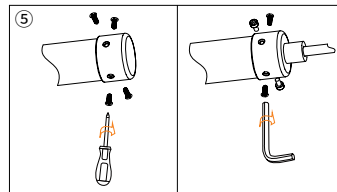
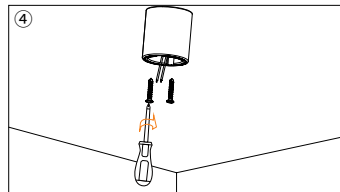
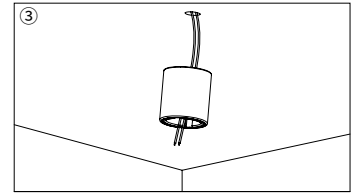
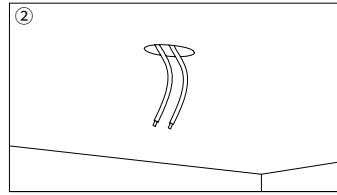
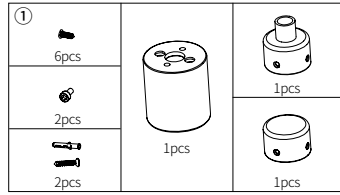
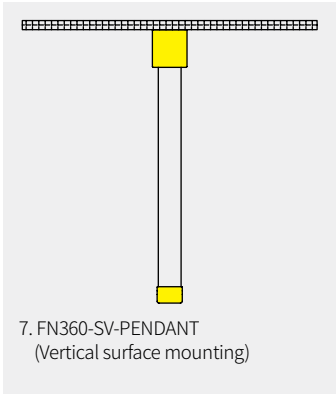


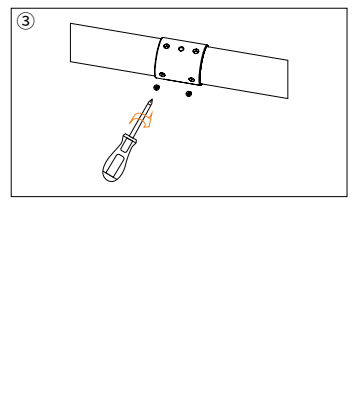
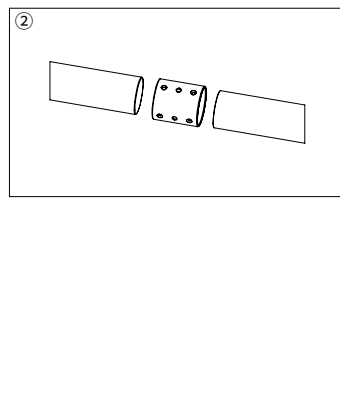
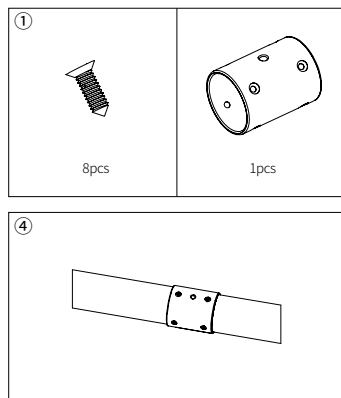
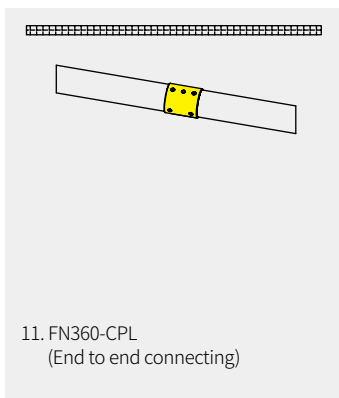
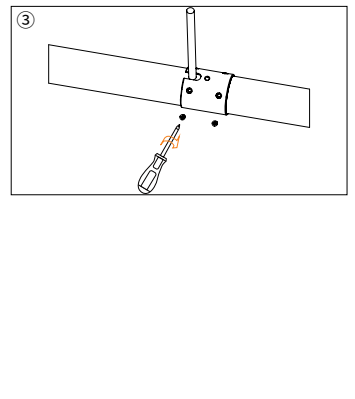
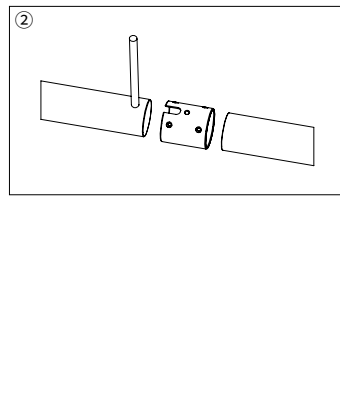
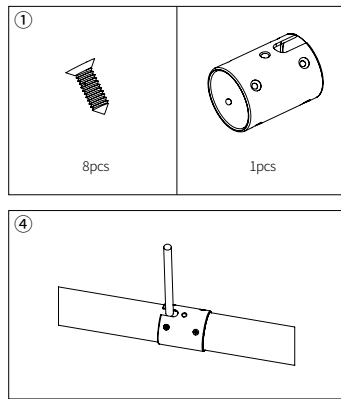
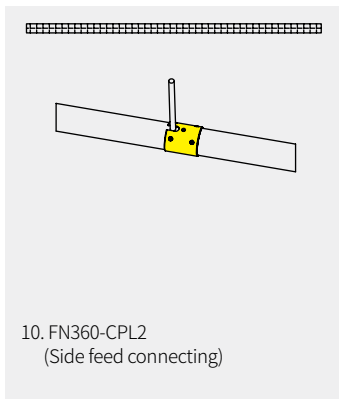
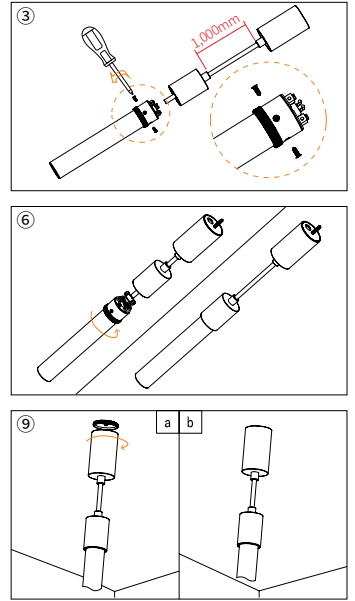
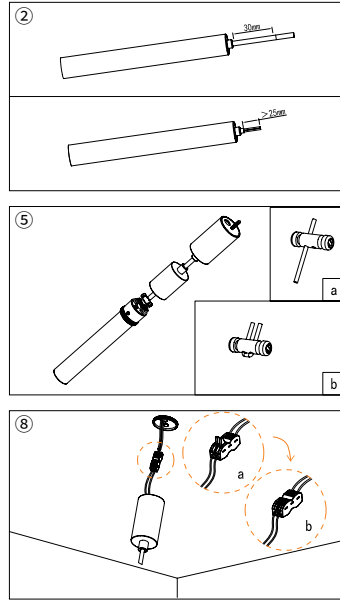
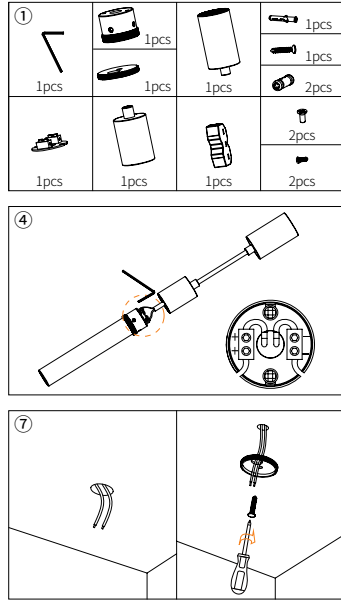
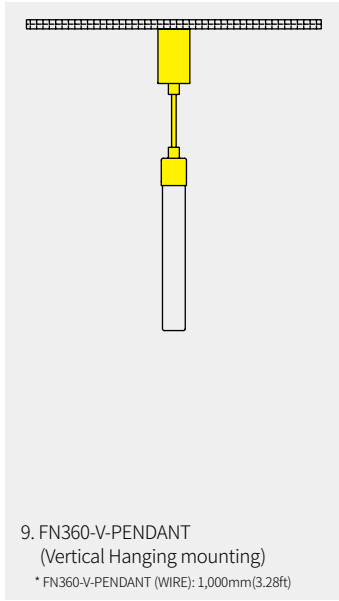
5. FN360-EXL, SK1
(Hanging extrusion)
* FN360-SK1 (WIRE): 1,500mm(4.92ft)
* FN360-EXL: 1,000mm(3.28ft)



6. FN360-EXL, SK2
(Rigid hanging extrusion)
* FN360-SK2 (Rigid Stem): 500-1,000mm(1.64-3.28ft)
* FN360-EXL: 1,000mm (3.28ft)







Components



FLXible Neon 360 Straight Feed

- __FN360 (color)K-24V-C90-5M
- __FN360 (color)K-24V-C90-4M
- __FN360 (color)K-24V-C90-3M
- __FN360 (color)K-24V-C90-2M
- __FN360 (color)K-24V-C90-1M



LED Drivers

- __FLC30-24V/T
 - __FLC75-24V/T
- With distributor and power cord
1800mm (6')



FLXible Neon 360 Side Feed

- __FN360 (color)K-24V-LS-C90-5M
- __FN360 (color)K-24V-LS-C90-4M
- __FN360 (color)K-24V-LS-C90-3M
- __FN360 (color)K-24V-LS-C90-2M
- __FN360 (color)K-24V-LS-C90-1M



LED Driver

- __FLC200-24V/T (200W)
- with 12way distributor



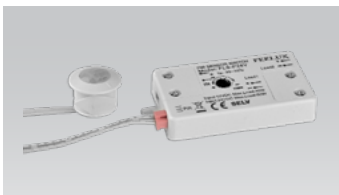
Silicone End cap

- __FN360-END CAP
- End cap accessory for field cutting



Dimming Interface

- __FDC-L10
- Max. 100W (100W/CH, 1CH)
0 -10V Signal



Occupancy sensor

- __FLS-P24V



Dimming Interface

- __FDA-L2MO
- (0-10V/1-10V, DMX512)
Max. 200W (100W/CH, 2CH)
 - __FDA-L5M (DMX512)

Max. 200W (50W/CH, 5CH)



Door and motion sensor

- __FLS-M24V



Dimming Interface (Dail)

- __FDD-L1DA
- Max. 200W (100W/CH, 1CH)



Wireless Control (Zigbee Switch)

- __FLM-Z1



Dimming Interface (Zigbee)

- __FDD-L2Z