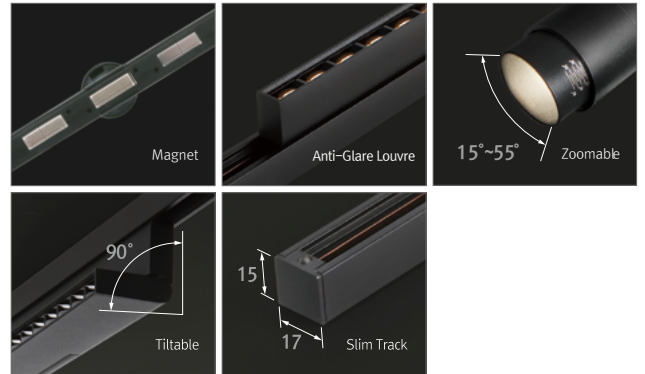


DATE

PROJECT

TYPE



**PRODUCT FEATURES**

- Ultra slim fixtures on easy magnetic rail system
- Adjustable beam angle by zoom function
- Available tilting up to 90°
- Safe with constant voltage DC 48V
- Various Track options (Surface, Trimless and Pendant mount track available)

**FTM Track System**

Super slim magnetic low voltage track system

**PRODUCT SPECIFICATIONS**

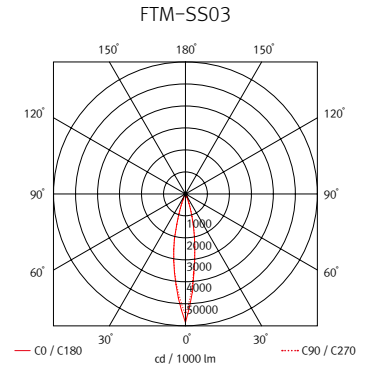
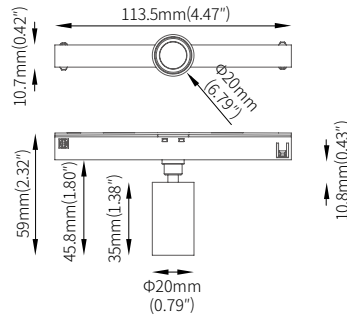
- Voltage: DC 48V
- Operating Temperature: 0-45°C(32-113°F)
- Lamp Life: 50,000 hrs / 70%
- Finishes: Black, White
- Color Rendering : CRI > 90

**SPECIFICATION-FIXTURES**

Performance data shown below for 3000K CCT. Refer to individual luminaire IES files for other CCT options.

Model Name	Power Input	Lamp Power	Luminous Flux	Luminous Efficacy	Color Rendering Index	Color Temperature(CCT)	Beam Angle	Operating Temperature
FTM-SS03 (color)-48V	DC 48V	3 W	208.3 lm	69.06 lm/W	CRI > 90	2,700K/3,000K/4,000K	15°/24°	0-45°C (32-113°F)
FTM-SS05 (color)-48V	DC 48V	5 W	405.8 lm	71.6 lm/W	CRI > 90	2,700K/3,000K/4,000K	15°/24°/36°	0-45°C (32-113°F)
FTM-SS05 (color)-48V_ZOOM	DC 48V	5 W	312.8 lm	67.97 lm/W	CRI > 90	3,000K/4,000K/5,000K	15°~40°	0-45°C (32-113°F)
FTM-SS10 (color)-48V	DC 48V	10 W	855.3 lm	85.64 lm/W	CRI > 90	2,700K/3,000K/4,000K	15°/24°/36°	0-45°C (32-113°F)
FTM-SS15 (color)-48V	DC 48V	15 W	1,077.6 lm	78.14 lm/W	CRI > 90	2,700K/3,000K/4,000K	15°/24°/36°	0-45°C (32-113°F)
FTM-SS15 (color)-48V-ZOOM	DC 48V	15 W	1,089.8 lm	74.28 lm/W	CRI > 90	2,700K/3,000K/4,000K	20°~55°	0-45°C (32-113°F)
FTM-LS20 (color)-48V	DC 48V	10 W	521.5 lm	52.31 lm/W	CRI > 90	2,700K/3,000K/4,000K	30°	0-45°C (32-113°F)
FTM-LS20 (color)-48V-TILT	DC 48V	10 W	496.8 lm	50.56 lm/W	CRI > 90	2,700K/3,000K/4,000K	30°	0-45°C (32-113°F)
FTM-LS30 (color)-48V	DC 48V	15 W	713.7 lm	51.06 lm/W	CRI > 90	2,700K/3,000K/4,000K	30°	0-45°C (32-113°F)
FTM-LS30 (color)-48V-TILT	DC 48V	15 W	733.2 lm	53.17 lm/W	CRI > 90	2,700K/3,000K/4,000K	30°	0-45°C (32-113°F)
FTM-LM20 (color)-48V	DC 48V	10 W	475.4 lm	47.91 lm/W	CRI > 90	2,700K/3,000K/4,000K	110°	0-45°C (32-113°F)
FTM-LM20 (color)-48V-TILT	DC 48V	10 W	455.1 lm	45.17 lm/W	CRI > 90	2,700K/3,000K/4,000K	110°	0-45°C (32-113°F)
FTM-LM30 (color)-48V	DC 48V	15 W	724.5 lm	52.42 lm/W	CRI > 90	2,700K/3,000K/4,000K	110°	0-45°C (32-113°F)
FTM-LM30 (color)-48V-TILT	DC 48V	15 W	710.5 lm	53.38 lm/W	CRI > 90	2,700K/3,000K/4,000K	110°	0-45°C (32-113°F)

## FTM-SS03



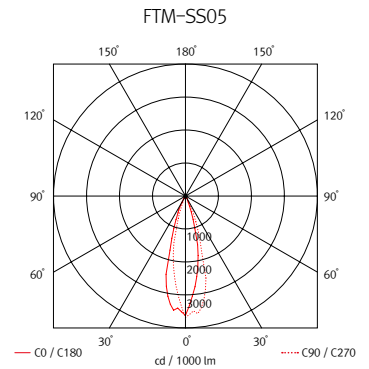
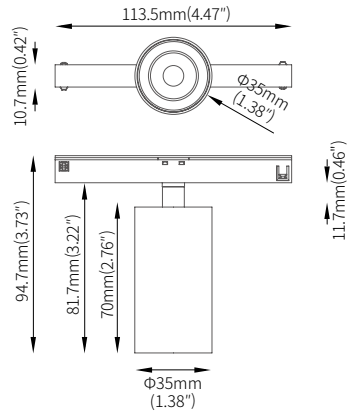
3000K performance data given. Refer to individual luminaire IES files for other CCTs.

Model Name	Power Input	Lamp Power	Luminous Flux	Luminous Efficacy	Color Rendering Index	Color Temperature (CCT)	Beam Angle	Weight of Luminaire	Operating Temperature
FTM-SS03 (color)-48V	DC 48V	3 W	208.3 lm	69.06lm/W	CRI > 90	2,700K/3,000K/4,000K	15° / 24°	41g (0.09lb)	0-45°C (32-113°F)

### ORDERING GUIDE Please refer to Page 8 for Track Compatibility.

MODEL	COLOR TEMPERATURE(CCT)	VOLTAGE	BODY FINISH	BEAM ANGLE
FTM-SS03	27K -2700K 30K -3000K 40K -4000K	48V	BK -Black WT -White	15° 24°

## FTM-SS05



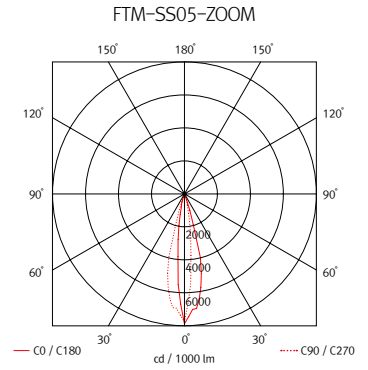
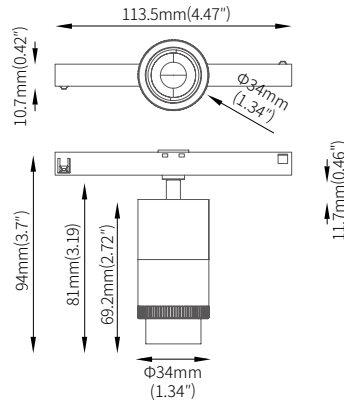
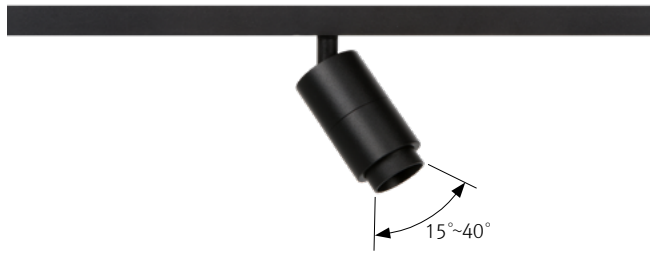
3000K performance data given. Refer to individual luminaire IES files for other CCTs.

Model Name	Power Input	Lamp Power	Luminous Flux	Luminous Efficacy	Color Rendering Index	Color Temperature (CCT)	Beam Angle	Weight of Luminaire	Operating Temperature
FTM-SS05 (color)-48V	DC 48V	5 W	405.8 lm	71.6 lm/W	CRI > 90	2,700K/3,000K/4,000K	15° / 24° / 36°	126g (0.28lb)	0-45°C (32-113°F)

### ORDERING GUIDE Please refer to Page 8 for Track Compatibility.

MODEL	COLOR TEMPERATURE(CCT)	VOLTAGE	BODY FINISH	BEAM ANGLE
FTM-SS05	27K -2700K 30K -3000K 40K -4000K	48V	BK -Black WT -White	15° 24° 36°

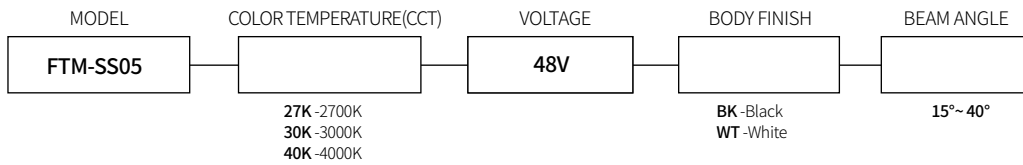
## FTM-SS05-ZOOM



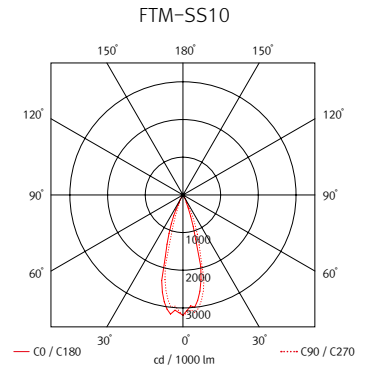
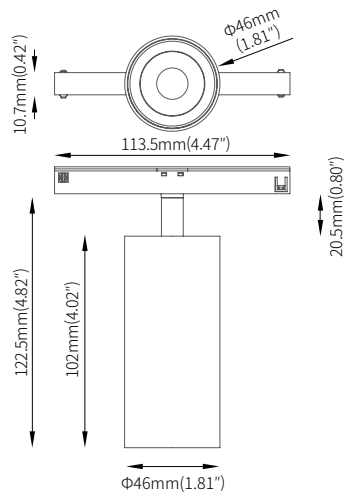
3000K performance data given. Refer to individual luminaire IES files for other CCTs.

Model Name	Power Input	Lamp Power	Luminous Flux	Luminous Efficacy	Color Rendering Index	Color Temperature (CCT)	Beam Angle	Weight of Luminaire	Operating Temperature
FTM-SS05 (color)-48V-ZOOM	DC 48V	5 W	405.8 lm	67.97lm/W	CRI > 90	2,700K/3,000K/4,000K	15° ~ 40°	126g (0.28lb)	0-45°C (32-113°F)

### ORDERING GUIDE Please refer to Page 8 for Track Compatibility.



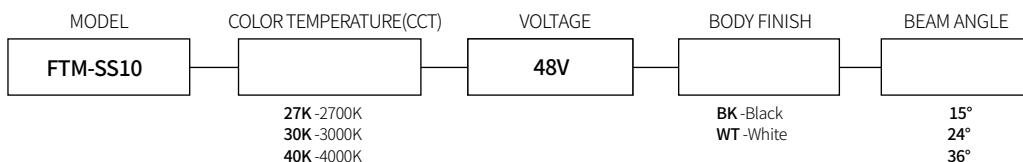
## FTM-SS10



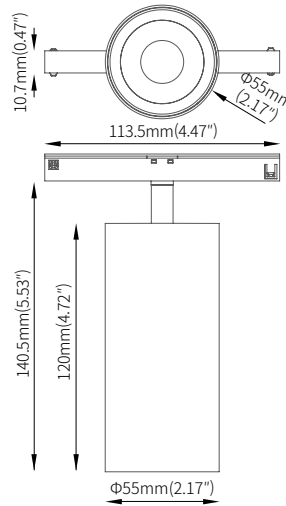
3000K performance data given. Refer to individual luminaire IES files for other CCTs.

Model Name	Power Input	Lamp Power	Luminous Flux	Luminous Efficacy	Color Rendering Index	Color Temperature (CCT)	Beam Angle	Weight of Luminaire	Operating Temperature
FTM-SS10 (color)-48V	DC 48V	10 W	855.3 lm	85.64lm/W	CRI > 90	2,700K/3,000K/4,000K	15° / 24° / 36°	171g (0.38lb)	0-45°C (32-113°F)

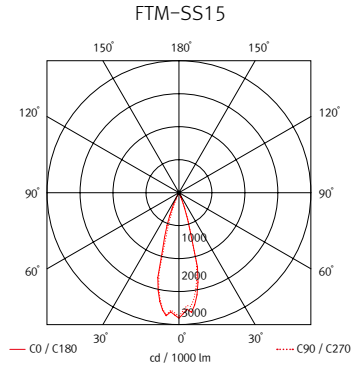
### ORDERING GUIDE Please refer to Page 8 for Track Compatibility.



## FTM-SS15



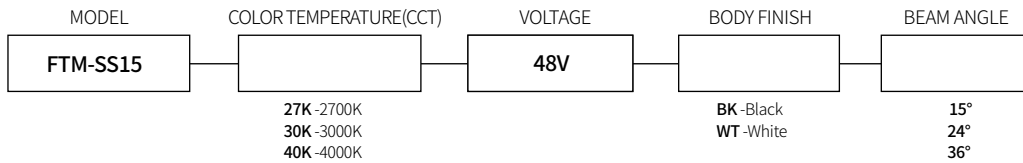
20.5mm (0.80")



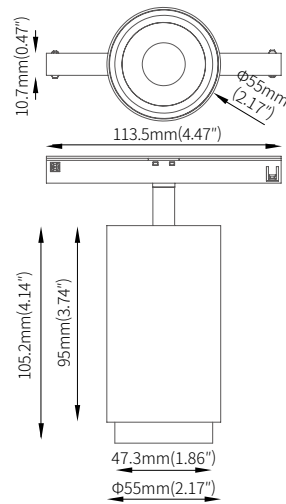
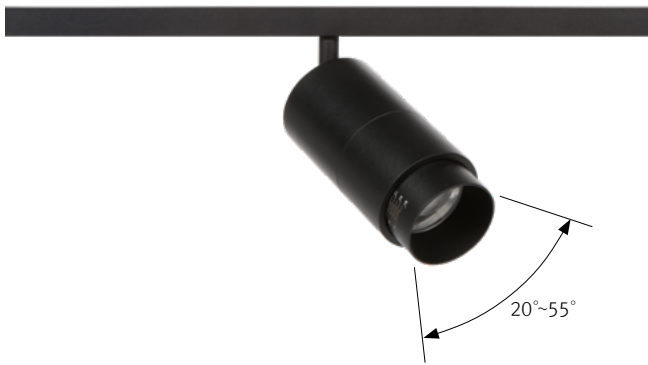
3000K performance data given. Refer to individual luminaire IES files for other CCTs.

Model Name	Power Input	Lamp Power	Luminous Flux	Luminous Efficacy	Color Rendering Index	Color Temperature (CCT)	Beam Angle	Weight of Luminaire	Operating Temperature
FTM-SS15 (color)-48V	DC 48V	15 W	1,077.6 lm	78.14lm/W	CRI > 90	2,700K/3,000K/4,000K	15° / 24° / 36°	245g (0.54lb)	0-45°C (32-113°F)

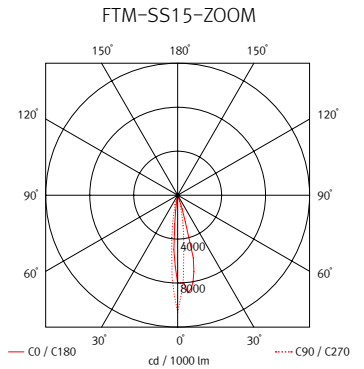
### ORDERING GUIDE Please refer to Page 8 for Track Compatibility.



## FTM-SS15-ZOOM



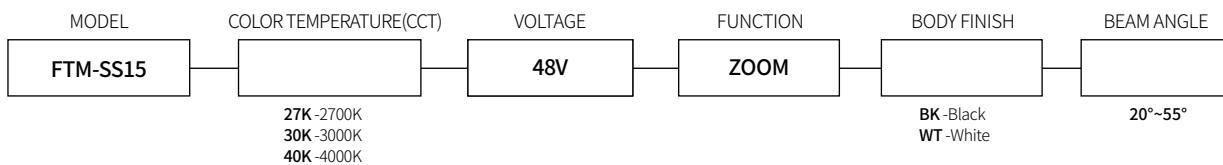
20.5mm (0.80")



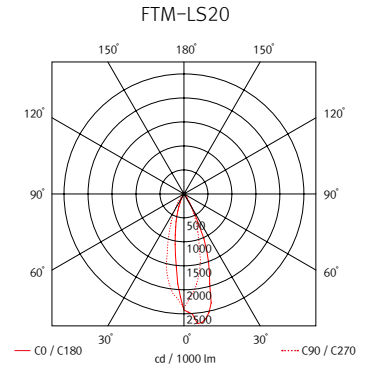
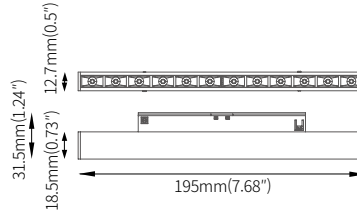
3000K performance data given. Refer to individual luminaire IES files for other CCTs.

Model Name	Power Input	Lamp Power	Luminous Flux	Luminous Efficacy	Color Rendering Index	Color Temperature (CCT)	Beam Angle	Weight of Luminaire	Operating Temperature
FTM-SS15 (color)-48V-ZOOM	DC 48V	15 W	1,089.8 lm	74.28lm/W	CRI > 90	2,700K/3,000K/4,000K	20° ~ 55°	269g (0.60lb)	0-45°C (32-113°F)

### ORDERING GUIDE Please refer to Page 8 for Track Compatibility.



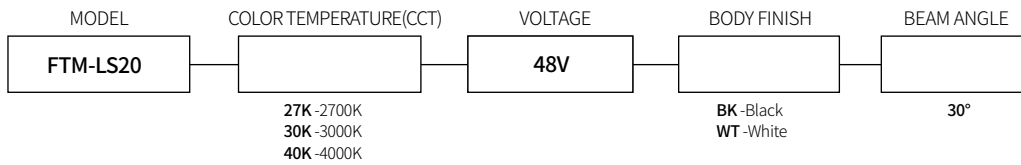
## FTM-LS20



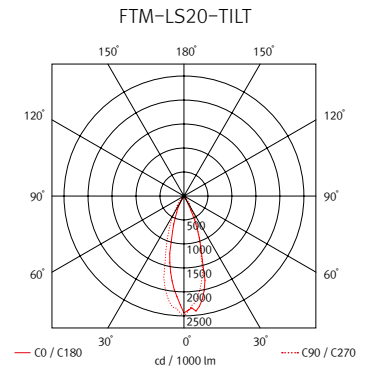
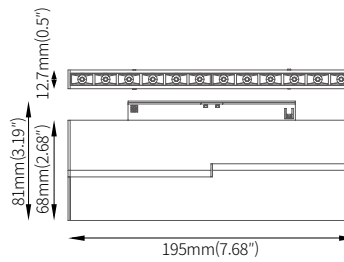
3000K performance data given. Refer to individual luminaire IES files for other CCTs.

Model Name	Power Input	Lamp Power	Luminous Flux	Luminous Efficacy	Color Rendering Index	Color Temperature (CCT)	Beam Angle	Weight of Luminaire	Operating Temperature
FTM-LS20 (color)-48V	DC 48V	10 W	521.5 lm	52.31lm/W	CRI > 90	2,700K/3,000K/4,000K	30 °	78g (0.17lb)	0-45°C (32-113°F)

### ORDERING GUIDE Please refer to Page 8 for Track Compatibility.



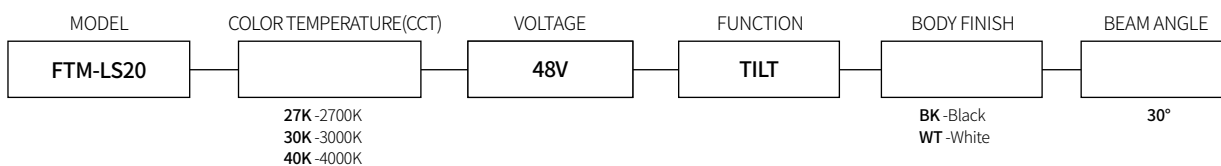
## FTM-LS20-TILT



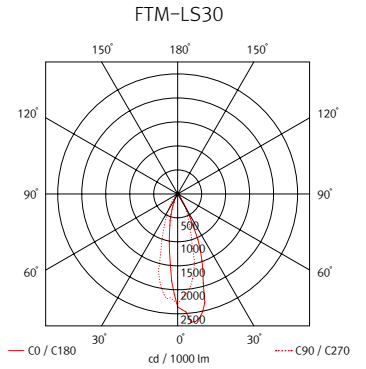
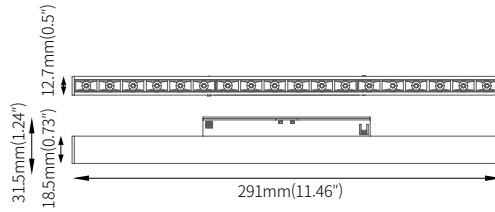
3000K performance data given. Refer to individual luminaire IES files for other CCTs.

Model Name	Power Input	Lamp Power	Luminous Flux	Luminous Efficacy	Color Rendering Index	Color Temperature (CCT)	Beam Angle	Weight of Luminaire	Operating Temperature
FTM-LS20 (color)-48V-TILT	DC 48V	10 W	496.8 lm	50.56lm/W	CRI > 90	2,700K/3,000K/4,000K	30 °	197g (0.43lb)	0-45°C (32-113°F)

### ORDERING GUIDE Please refer to Page 8 for Track Compatibility.



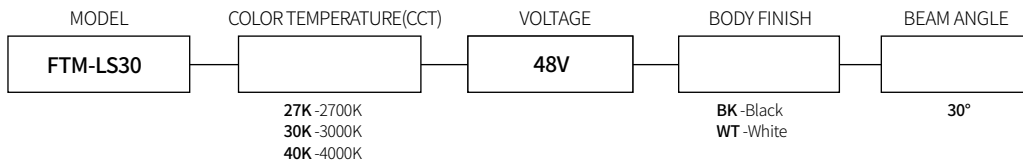
## FTM-LS30



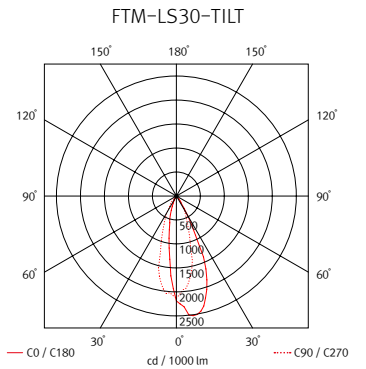
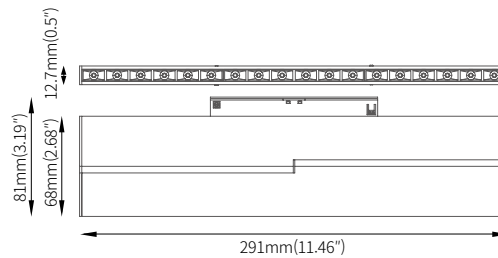
3000K performance data given. Refer to individual luminaire IES files for other CCTs.

Model Name	Power Input	Lamp Power	Luminous Flux	Luminous Efficacy	Color Rendering Index	Color Temperature (CCT)	Beam Angle	Weight of Luminaire	Operating Temperature
FTM-LS30 (color)-48V	DC 48V	15 W	713.7 lm	51.06 lm/W	CRI > 90	2,700K/3,000K/4,000K	30 °	107g (0.24lb)	0-45°C (32-113°F)

### ORDERING GUIDE Please refer to Page 8 for Track Compatibility.



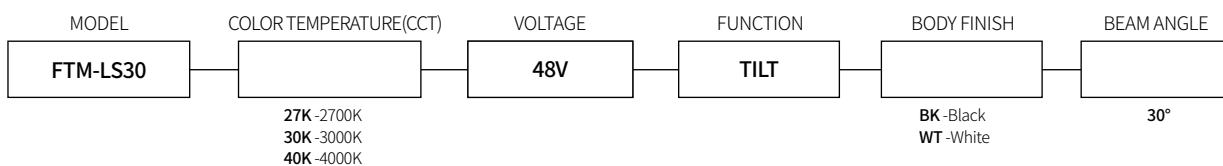
## FTM-LS30-TILT



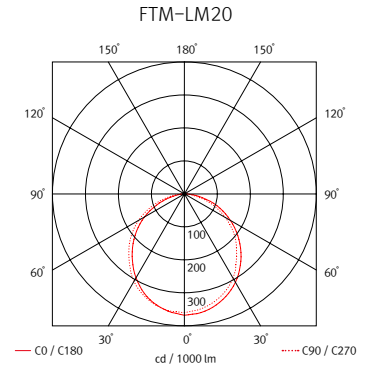
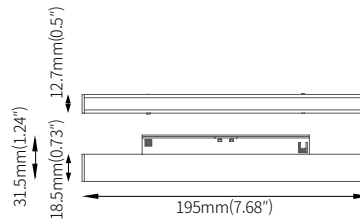
3000K performance data given. Refer to individual luminaire IES files for other CCTs.

Model Name	Power Input	Lamp Power	Luminous Flux	Luminous Efficacy	Color Rendering Index	Color Temperature (CCT)	Beam Angle	Weight of Luminaire	Operating Temperature
FTM-LS30 (color)-48V-TILT	DC 48V	15 W	733.2 lm	53.17lm/W	CRI > 90	2,700K/3,000K/4,000K	30 °	276g (0.61lb)	0-45°C (32-113°F)

### ORDERING GUIDE Please refer to Page 8 for Track Compatibility.



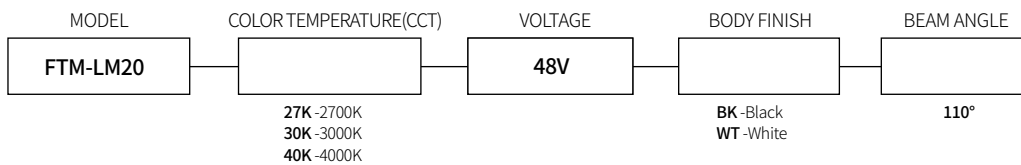
## FTM-LM20



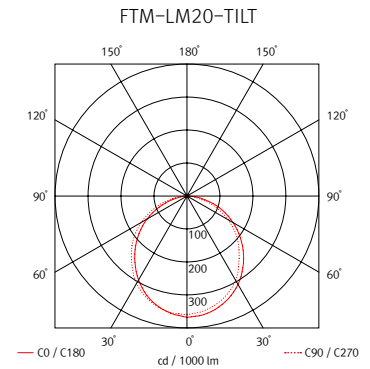
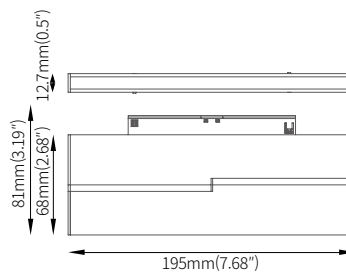
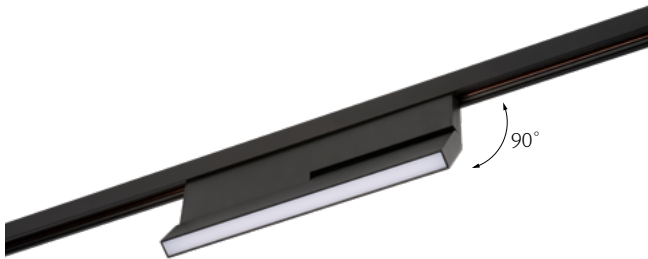
3000K performance data given. Refer to individual luminaire IES files for other CCTs.

Model Name	Power Input	Lamp Power	Luminous Flux	Luminous Efficacy	Color Rendering Index	Color Temperature (CCT)	Beam Angle	Weight of Luminaire	Operating Temperature
FTM-LM20 (color)-48V	DC 48V	10 W	475.4 lm	47.91 lm/W	CRI > 90	2,700K/3,000K/4,000K	110°	72g (0.16lb)	0-45°C (32-113°F)

### ORDERING GUIDE Please refer to Page 8 for Track Compatibility.



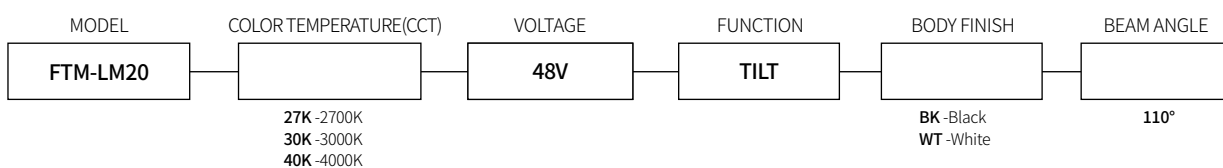
## FTM-LM20-TILT



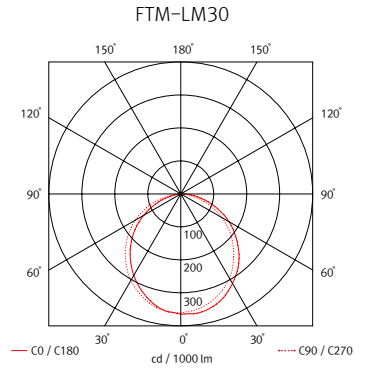
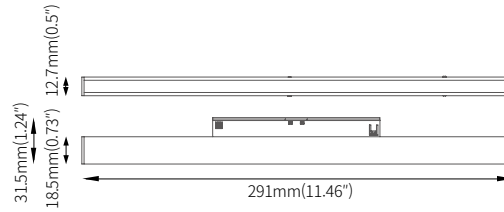
3000K performance data given. Refer to individual luminaire IES files for other CCTs.

Model Name	Power Input	Lamp Power	Luminous Flux	Luminous Efficacy	Color Rendering Index	Color Temperature (CCT)	Beam Angle	Weight of Luminaire	Operating Temperature
FTM-LM20 (color)-48V-TILT	DC 48V	10 W	455.1 lm	45.17 lm/W	CRI > 90	2,700K/3,000K/4,000K	110°	192g (0.42lb)	0-45°C (32-113°F)

### ORDERING GUIDE Please refer to Page 8 for Track Compatibility.



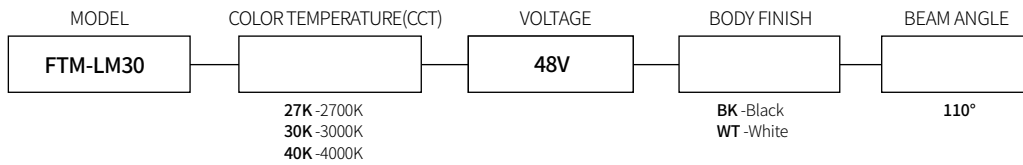
## FTM-LM30



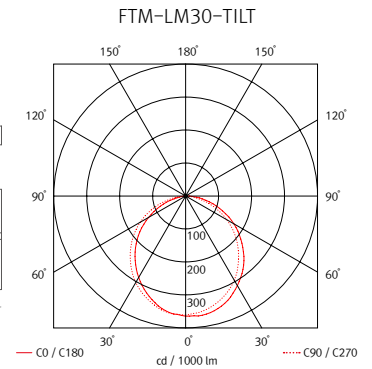
3000K performance data given. Refer to individual luminaire IES files for other CCTs.

Model Name	Power Input	Lamp Power	Luminous Flux	Luminous Efficacy	Color Rendering Index	Color Temperature (CCT)	Beam Angle	Weight of Luminaire	Operating Temperature
FTM-LM30 (color)-48V	DC 48V	15 W	724.5 lm	52.42 lm/W	CRI > 90	2,700K/3,000K/4,000K	110°	98g (0.22lb)	0-45°C (32-113°F)

### ORDERING GUIDE Please refer to Page 8 for Track Compatibility.



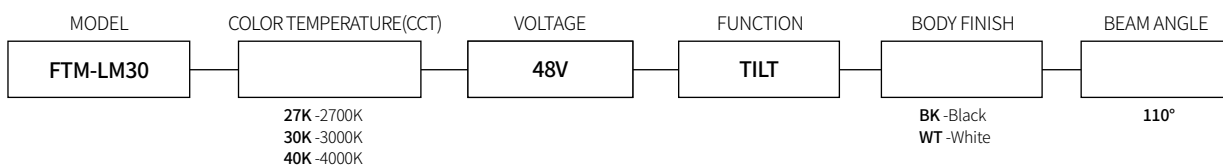
## FTM-LM30-TILT



3000K performance data given. Refer to individual luminaire IES files for other CCTs.

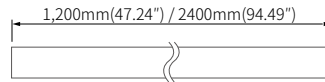
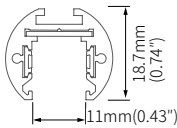
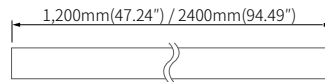
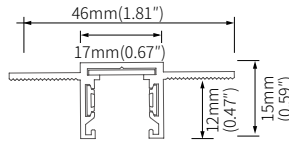
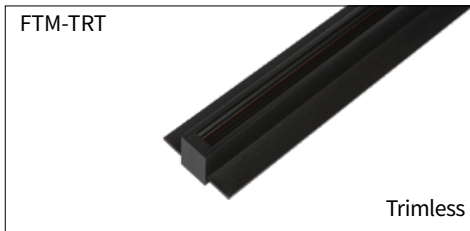
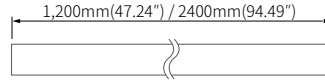
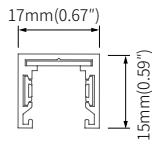
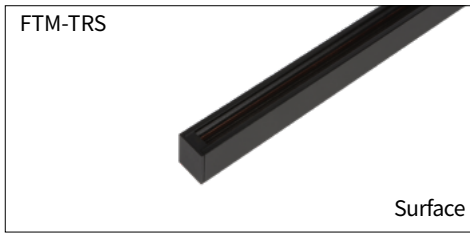
Model Name	Power Input	Lamp Power	Luminous Flux	Luminous Efficacy	Color Rendering Index	Color Temperature (CCT)	Beam Angle	Weight of Luminaire	Operating Temperature
FTM-LM30 (color)-48V-TILT	DC 48V	15 W	710.5 lm	53.38 lm/W	CRI > 90	2,700K/3,000K/4,000K	110°	269g (0.59lb)	0-45°C (32-113°F)

### ORDERING GUIDE Please refer to Page 8 for Track Compatibility.





## FTM Track



## ORDERING GUIDE

MODEL	BODY FINISH	LENGTH
FTM-TRS FTM-TRT FTM-TRP	BK -Black WT -White	1,200mm (47.24") 2,400mm (94.49")

## COMPONENTS



**Power Connector**  
\_\_FTMOPC-BK  
\_\_FTMOPC-WT



**Flexible Connector**  
\_\_FTMPTC-BK  
\_\_FTMPTC-WT



**Direct Connector**  
\_\_FTMCPL



**Suspension Power Kit for TRP**  
\_\_FTM-SK-POWER-BK



**Joint Bracket for FLT Mini Track**  
\_\_FTM-JOINT-BK



**LED Driver**  
\_\_FLC200-48V/T  
\_\_FLC100-48V/T