



## PRODUCT FEATURES

- Compatible with industry standard TRIAC(forward-phase or Leading-edge) and ELV(Reverse-phase or Trailing-edge) phase-cut dimmers
- Suitable for LED luminaire or appliance such as lighting installation
- Compact form factor, Fully isolated plastic case
- Class 2 power unit
- Cooling by free air convection
- Suitable for dry, damp, and wet location
- Helps to maximize energy savings and allows application specific light levels

## SPECIFICATION



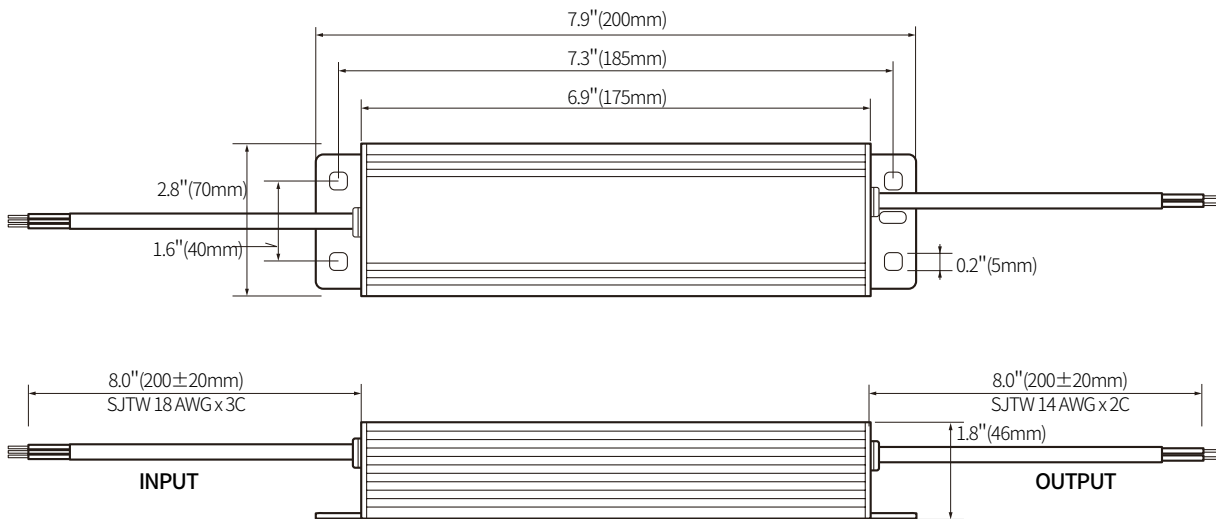
Model Name	Input Voltage (Vac)	Output Power (W)	Output Voltage (V)	Output Current (A)	Efficiency @Max Load and 70°C case	Max Case Temp. (°C)	Input Current (Arms)	Max Input Power (W)	THD @Max Load (%)	Power Factor @Max Load	Weight (Lbs/kgs)	Envir. Protection Rating
FDLC80-24V	220	80	24	0-3.30	82.0	Life-75°C TUV-85°C	0.47	102.6	<20%	>0.95	2.40/1.10	damp and dry
	230				82.0		0.44		<20%			
	240				82.0		0.43		<20%			

Model Name	FDLC80-24V
Input	
Line Voltage	220-240Vac_rms
Line Current	0.47A@220VAC, 0.44A@230VAC, 0.43A@240VAC
Line Frequency	50/60Hz
Min, Mains Voltage operational	198[min]
Max, Mains Voltage operational	264[max]
THD(total)	<20%
Power Factor(PF)	> 0.95
Inrush Current(Typ.)	Cold Start 15A(twidth=270us measured at 50% Ipeak) at 230VAC
Leakage Current(Typ.)	< 0.5mA/230VAC
Output	
Output Constant Voltage	24V
Output Current	0-3.30A
Output Current Ripple (ripple=peak to peak)	10% of nominal output voltage (whichever is greater),measured at 20Mhz bandwidth with 0.1uf ceramic capacitor in parallel with 10uf electrolytic capacitor connected at the end of the output connector.
Protections	Over Current, Over Voltage, Short Circuit and Open Circuit Protection for LED+ and LED-
Ambient Temp Range	-20°C to +60°C, 20-95% RH non-condensing
Max Case Temperature(Tc)	75°C for Life & 85°C for TUV Safety

Features	
Dimming Interface	TRIAC(forward-phase or Leading-edge) phase-cut dimming ELV(Reverse-phase or Trailing-edge) phase-cut dimming
Approved Dimmer List(Manufacturer)	ABB,CLIPSAL,HAGER,BERKER,JUNG,PHILIPS DYNALITE, LEGRAND,LUTRON,LEVITON TRIAC(forward-phase or Leading-edge) and ELV(Reverse-phase or Trailing-edge) phase-cut dimmer
Dimming range	5-100% or 0-100%
Environment & Approbation	
Environmental Protection Rating	TUV damp and dry
Agency Approbations	ENEC EN61347-1,EN61347-2-13 independent, EN62384, TUV EN60950-1
Electromagnetic Compliance	Compliance to EN55015,EN61000-3-2 Class C(@100% Load);EN6100-3-3 Compliance to EN61000-4-2,3,4,5,6,8,11;EN61547,EN55024, light industry level(surge 2KV), criteria A
Audible noise	<24dB Class A

All the specifications are typical and at 25 °C Tcase unless specified otherwise

## DIMENSIONS



## WIRING DIAGRAM

