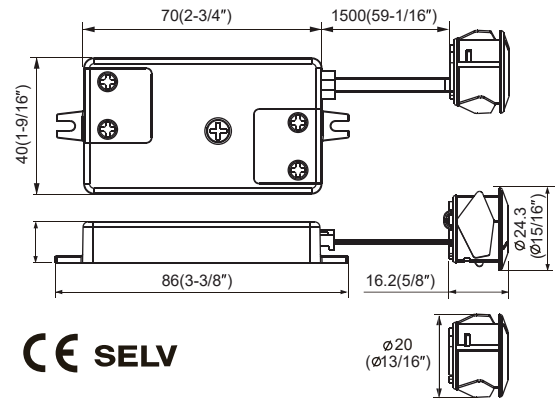




### Dimension (mm/inches)



### Product Features

- Human-body detection sensor
- Detection range: Max. 2.5m(98-7/16")
- Detection angle: 80°
- Detection time: 10sec~3min

### Characteristics

Model No.	Rated supply	Rated output	Rated load
FLS-P24V	DC 24V	DC 24V	Max.60W

### Application

TOP VIEW

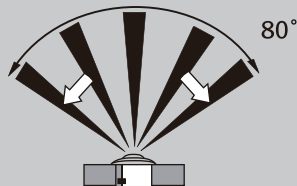


Fig.4.1

SIDE VIEW

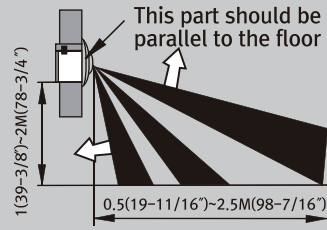


Fig. 4.2

GOOD SENSITIVITY

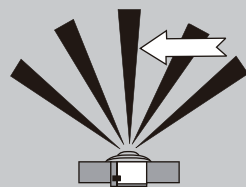


Fig.4.3

POOR SENSITIVITY

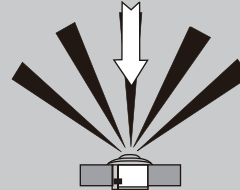


Fig.4.4

